

HEAD OFFICE & WORKS		
Butterfly Valve Division INTERVALVE POONAWALLA LTD. 94/1, Manjari, Off Soli Poonawalla Road, Pune - 412 307. Tel: +91 - 20 - 26993900 Fax: +91 - 20 - 26993921	GGC & Ball Valve Division INTERVALVE POONAWALLA LTD. S. No. 114, Plot No. 32 B, Hadapsar Industrial Estate, Pune - 411 013. Tel : +91 - 20 - 66260600, 66260699	Actuator & Valve Automation ELOMATIC (INDIA) PVT. LTD. S. No. 114, Plot No. 32 B, Hadapsar Industrial Estate, Pune - 411 013. Tel : +91 - 20 - 66260600, 66260699
BRANCH OFFICES		
Bangalore Branch No. 6, 3rd Main Road, N. R. Colony, Bangalore - 560 019. Tel: +91 - 80 - 26610509 Fax: +91 - 80 - 26611313 Email: bangalore@poonawallagroup.com	Baroda Branch 17/A, 2nd Floor, Nutan Bharat Society, Near Nutan Bharat Club, Alkapuri, Baroda - 390 007. Tel: +91 - 265 - 2324337, 2324341 Fax: +91 - 265 - 2324271 Email: baroda@poonawallagroup.com	Chennai Branch 1st Floor, New No. 39 / Old No. 21, Nachiappan Street, Mahalingapuram, Chennai - 600 034. Tel: +91 - 44 - 28170323 Fax: +91 - 44 - 28170324 Email: chennai@poonawallagroup.com
Cochin Branch C/o 5/522B, Neriakkal House, Pukkattupadi Road, Unichira, Thrikkakara P.O., Cochin - 682 021 Mobile : 09446575011 Email: cochin@poonawallagroup.com	Delhi Branch 601, Sidharth Building, 96, Nehru Place, New Delhi - 110 019. Tel: +91 - 11 - 46514500 - 5 & 6 Fax: +91 - 11 - 46514526 Email: delhi@poonawallagroup.com	Hyderabad Branch H. No. 6 - 2 - 1 / 15, Flat No. 303, H. G. H. Residency, Beside Seha Hospital Lane, Lakdi - Ka - Pool, Hyderabad - 500 004. Tel: +91 - 40 - 23221375, 23221400 Fax: +91 - 40 - 23309982 Email: hyderabad@poonawallagroup.com
Kolkata Branch 3rd Floor, 21/A, Kavi Bharati Sarani, (Formerly Lake Road), Lake Market, Opposite to Charu Chandra College, Kolkata - 700 029. Tel: +91 - 33 - 24199281, 24199282 Fax No. : +91 - 33 - 24199283 Email: kolkata@poonawallagroup.com	Mumbai Branch 1010 Filix - 10th Floor, Opp. Asian Paints, L. B. S. Marg, Bhandup (West), Mumbai - 400 078. Tel: +91 - 22 - 25953965 / 25953966 Email: mumbai@poonawallagroup.com	Visakhapatnam Branch Door No. 39 - 20 - 40 / 1 / 3, 1st Floor, Madhavadhara, Visakhapatnam - 530 007. Tel: +91 - 891 - 2501455 Fax: +91 - 891 - 2500799 Email: vizag@poonawallagroup.com
Pune Branch 94 / 1, Manjari, Off Soli Poonawalla Road, Pune - 412 307. Tel: +91 - 20 - 26993900 Fax: +91 - 20 - 26993921 Email: poona@poonawallagroup.com	Export Office 1010 Filix - 10th Floor, Opp. Asian Paints, L. B. S. Marg, Bhandup (West), Mumbai - 400 078. Tel: +91 - 22 - 25953965 / 25953966 Email: exports@poonawallagroup.com	Bhubaneshwar Branch Email : bhubaneshwar@poonawallagroup.com



INTERVALVE® POONAWALLA LTD.

The name says it all

S. No. 114, Plot No. 32 B, Hadapsar Industrial Estate, Pune - 411 013.
 Tel : +91 - 20 - 66260600, 66260699
 E-mail : intervalve@poonawallagroup.com www.poonawallagroup.com



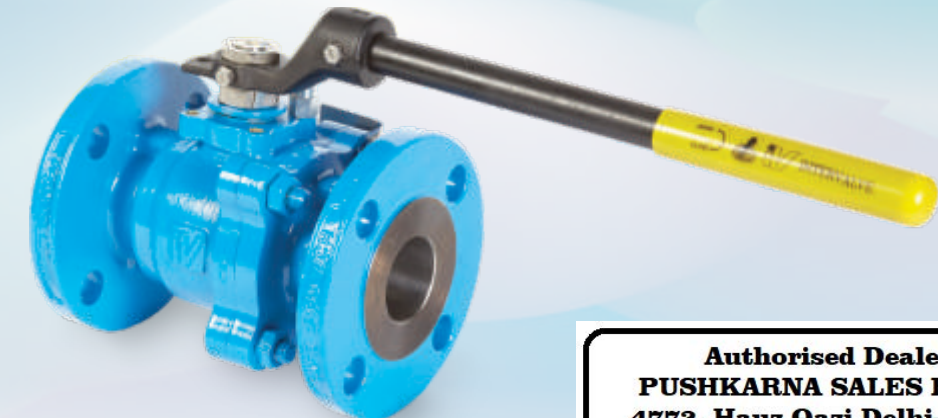
INTERVALVE® POONAWALLA LTD.

The name says it all



INTERVALVE IV FBV # 150, # 300

**Floating Ball Valve, Class 150, 300,
Full/Reduced Bore, 2 Piece, Flanged Ends**



Authorised Dealer;
PUSHKARNA SALES PVT LTD.
4772, Hauz Qazi, Delhi-110006.
Phones; 011-43675881/9818453355.
Email; sales@pushkarnasales.com
Site; www.pushkarnasales.com

The IV range of floating ball valve incorporates unique design features to provide rugged construction, reliable operation and long service life. It is suitable for normal to most demanding application covering wide segment of process industries such as chemical, petrochemical, pharma, steel, alumina, power plants, common utilities. An ideal valve for the flow isolation and ON / OFF duty.

IV Ball valves come with double body & stem seal to ensure reliable sealing. Valves can be provided with special features like, Locking arrangement, Special cleaning for oxygen service, Extended stem / Bonnet, Vacuum service, Jacketing, Fire safe construction etc.

Valves can be provided with Gear box / Pneumatic actuator / Electrical actuator wherever required.

Conformity to Codes & Standards :

Design & Manufacturing Std.	: API6D / ISO 17292 / ASME B16.34 / IBR / CE
Pressure & Temperature Rating	: ASME B 16.34
Face to Face & End to End Dimension	: ASME B 16.10
Flange End	: ASME B 16.5
Butt Weld End	: ASME B 16.25
Testing	: EN 12266-1 (BS-6755-1) / API 598
Fire Safe	: API 607 / API 6FA
ISO Top Mounting	: ISO 5211

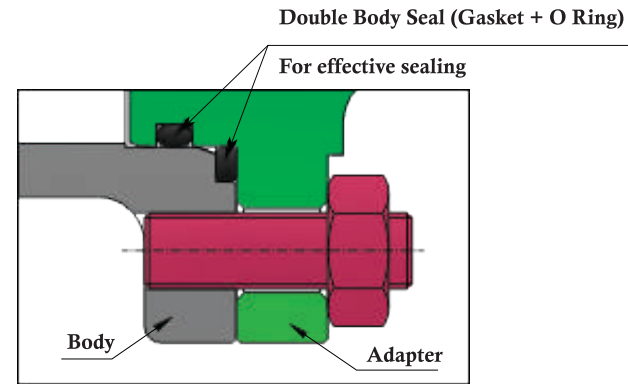
Salient Features :

- The product design conforms to all major international standard like ISO 17292 / ASME B 16.34 / IBR with reliable sealing & sturdy construction to ensure excellent performance.
- Standardized ISO Top pad & mounting dimensions - to suit direct mounting of actuator.
- Double body & stem seal design.
- 100% interchangeability of parts.
- Quick availability of spares.
- Optimized torque & weights of valves.
- Gear / electrical / Pneumatic operator can be provided, if required.
- Valves are available in flange end & butt Weld end connections (other end connections can be provided on request).
- Locking arrangement can be provided, if required.
- Special material available on request.

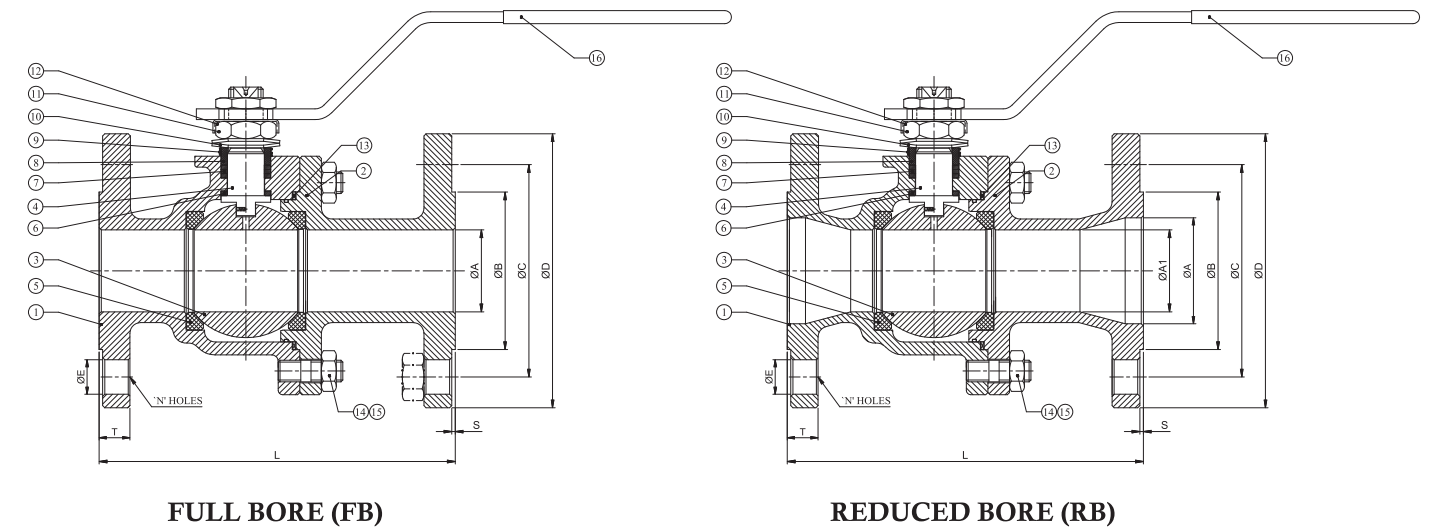
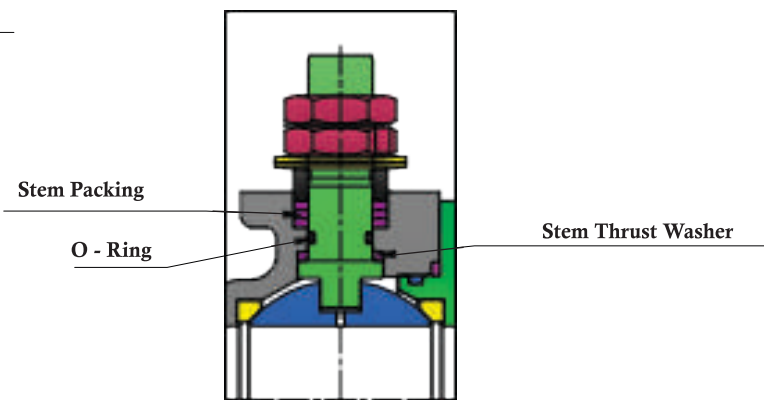


SPECIFICATIONS & DIMENSIONS ARE SUBJECT TO CHANGE WITHOUT PRIOR NOTICE
IV / CAT / FBV / 06 / 15

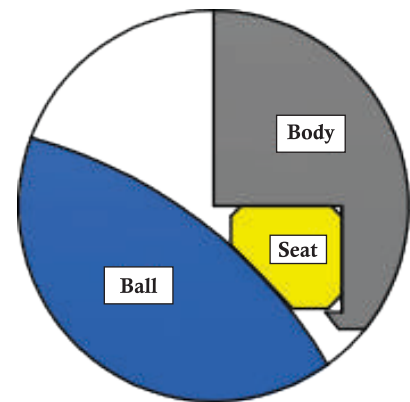
DOUBLE BODY SEAL



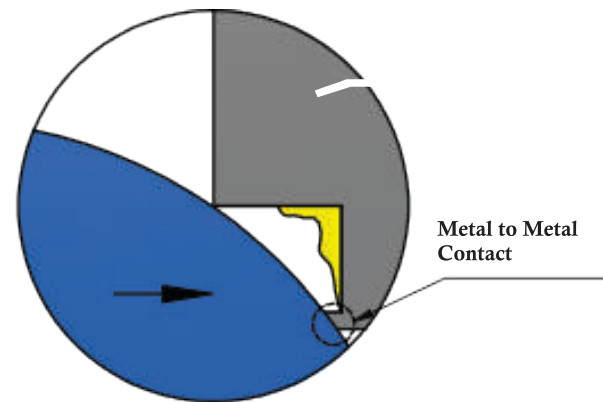
DOUBLE STEM SEALING



BEFORE FIRE



AFTER FIRE



STANDARD MATERIAL OF CONSTRUCTION :

SR.NO.	DESCRIPTION	MATERIAL
1	Body	WCB, CF8, CF8M, CF3, CF3M
2	Body Adapter	WCB, CF8, CF8M, CF3, CF3M
3	Ball	CF8, CF8M, CF3, CF3M, CA15
4	Stem	SS410, SS304, SS304L, SS316, SS316L, 17-4PH, Nitronic 50
5	Seat	PTFE, GFT, CFT, DEVLON, NYLON, MPTFE
6	Stem Thrust Washer	GFT
7	Stem Packing	PTFE / GRAPHOIL★
8	Gland Bush	SS410, SS304, SS316
9	Spring (Antistatic)	Steel
10	Disc Spring	Steel
11	Stem Nut	Steel
12	Locking Washer	Steel
13	Gasket	PTFE / GRAPHOIL★
14	Stud	ASTM A193 Gr. B7, B8, B8M, L7
15	Nut	ASTM A194 Gr. 2H, 8, 8M
16	Handle	Steel Plated

Notes:

- 1) Valve Size ≥ 150 Nb Will Be Provided With Hollow / Cored Cavity Ball.
- 2) Valve Size ≤ 150 Nb #150 & 125 Nb #300 Will Be Provided With Gear Box, Actuator (electrical / Pneumatic).
- 3) ★For Fire Safe Valve body & Stem Packing In GRAPHOIL and for Non Fire Safe Valve : Body & Stem Packing In PTFE.
- 4) For Any Other Specification, Please Contact Head Office.

FULL BORE CLASS 150

SIZE NB	ØA	ØB	ØC	ØD	ØE	N	L	S	T
15	13	35	60.3	89	16	4	108	1.6	11.5
20	19	43	69.9	98	16	4	117	1.6	13
25	25	51	79.4	108	16	4	127	1.6	11.2
32	32	64	89	117	16	4	140	1.6	13
40	38	73	98.4	127	16	4	165	1.6	14.5
50	50	92	120.6	152	19	4	178	1.6	16
65	62	105	139.7	178	19	4	190	1.6	18
80	76	127	152.4	191	19	4	203	1.6	19.5
100	102	157	190.5	229	19	8	229	1.6	24
125	127	185.7	215.9	255	22.2	8	280	1.6	24
150	152	216	241.3	279.5	22	8	267	1.6	25.4
200	198	270	298.5	343	22.5	8	292	1.6	29
250	252	323.8	362	405	25.4	12	533	1.6	30.5
300	303	381	431.8	485	25.4	12	610	1.6	32

REDUCE BORE 150

SIZE NB	ØA	ØA1	ØB	ØC	ØD	ØE	N	L	S	T
15	13	9.5	35	60.3	89	16	4	108	1.6	11.5
20	19	13	43	69.9	98	16	4	117	1.6	13
25	25	19	51	79.4	108	16	4	127	1.6	11.5
32	32	25	64	89	117	16	4	140	1.6	13
40	38	32	73	98.4	127	16	4	165	1.6	14.5
50	50	38	92	120.6	152	19	4	178	1.6	16
65	62	50	105	139.7	178	19	4	190	1.6	17.5
80	76	62	127	152.4	191	19	4	203	1.6	19.5
100	102	76	157	190.5	229	19	8	229	1.6	24
150	152	102	216	241.3	279.5	22	8	267	1.6	25.4
200	203	152	270	298.5	343	22.5	8	292	1.6	29
250	250	198	324	362	406	26	12	330	1.6	30.5

FULL BORE CLASS 300

SIZE NB	ØA	ØB	ØC	ØD	ØE	N	L	S	T
15	13	35	66.7	95	16	4	140	1.6	14.5
20	19	43	82.6	117	19	4	152	1.6	16
25	25	51	88.9	124	19	4	165	1.6	17.5
32	32	64	98.4	135	19	4	178	1.6	19.1
40	38	73	114.3	156	22.5	4	190	1.6	21
50	50	92	127	165	19	8	216	1.6	22.3
65	62	105	149.2	191	22.5	8	241	1.6	25.5
80	76	127	168.2	210	22.5	8	283	1.6	29
100	102	157	200	254	22.5	8	305	1.6	32
125	127	185.7	235	280	22.5	8	360	1.6	35
150	152	216	270	320	22.5	12	403	1.6	36.6
200	198	270	330.2	380	22.5	12	419	1.6	41.5

REDUCE BORE 300

SIZE NB	ØA	ØA1	ØB	ØC	ØD	ØE	N	L	S	T
15	13	9.5	35	66.7	95	16	4	140	1.6	14.5
20	19	13	43	82.6	117	19	4	152	1.6	16
25	25	19	51	88.9	124	19	4	165	1.6	17.5
32	32	25	64	98.4	135	19	4	178	1.6	19.1
40	38	32	73	114.3	156	22.5	4	190	1.6	21
50	50	38	92	127	165	19	8	216	1.6	22.3
65	62	50	105	149.2	191	22.5	8	241	1.6	25.5
80	76	62	127	168	210	22.5	8	283	1.6	29
100	102	76	157	200	254	22.59	8	305	1.6	32
150	152	102	216	270	320	22.5	12	403	1.6	36.6
200	203	152	270	330.2	380	22.5	12	419	1.6	41.5
250	250	198	324	387.4	445	28.6	16	457	1.6	47.7