



**INTERVALVE® POONAWALLA LTD.**

*The name says it all*



**Ball Valves Series Intervalve V6F, V6T**

*Class 600, Regular / Full port. Flanged / Butt Weld Ends, floating design / Trunion Mounted design*

**Authorised Dealer;**  
**PUSHKARNA SALES PVT LTD.**  
**4772. Hauz Qazi. Delhi-110006.**  
**Phones; 011-43675881/9818453355.**  
**Email; sales@pushkarnasales.com**  
**Site; www.pushkarnasales.com**



2/3-PIECE BALL VALVES/ 2-WAY.

- Maintenance free live loaded double sealing stem packing ensures high cycles life and positive sealing.
- ISO 5211 Mounting pad  
Allows for mounting of actuator.
- Blow-Out Proof Steam.

**These High Performance Ball valves are available in Class 600 for Floating as well as Trunion Design**

A floating ball design offers efficient sealing with simple construction. As the name indicates, the ball has some freedom to move along the axis of the pipeline, which offers efficient downstream sealing. When line pressure is applied to the closed ball, it moves slightly (or floats) downstream to maintain contact with the downstream seat where primary sealing occurs. A quarter turn motion from full open to full close ensures quick open-close action, an inherent advantage for automatic remote control application. floating ball valve offers effective bi-directional sealing.

Trunion mounted design offers precise locational accuracy for the ball within the upstream and downstream seat, which ensures leaktight sealing with lower operative torques. The sealing takes place by allowing the seats to move towards the ball. This design ball valves can hold very high pressures.

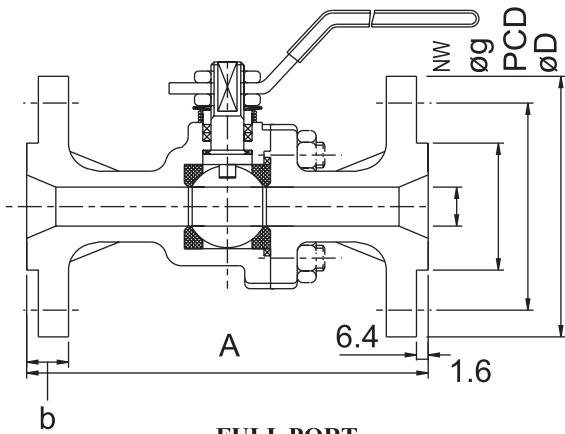
**Conformity to codes & standards:**

General design & manufacturing.	:	En17292, API-6D
Valve dimensions.	:	ANSI B 16.10, B 16.5
Valve inspection & testing	:	EN-12266
	:	Hydro shell : 169 kg/sq.cm
	:	Seat test : 112kg/sq.cm
	:	Air seat : 7 kg/sq.cm
Special features	:	Fire Safe to API 607
	:	Metal to Metal Seat

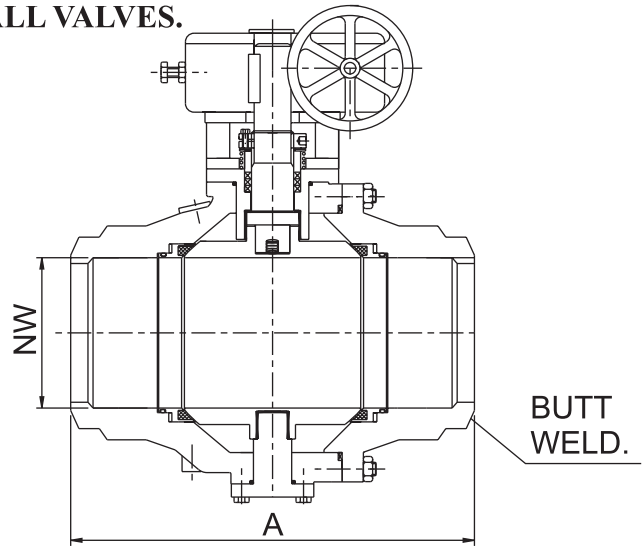
**Technical specification:**

Valve type	:	Floating / Trunion Mounted design ball valve.
Body type	:	2pc standard, 3 pc optional.
Seat Type	:	Soft / Metal
End connection	:	Flanged, butt weld.
Size range	:	15 NB to 600 NB for reduced port / full port.
Pressure rating	:	Class 600.
seat leakage	:	Class VI-Soft Seat, Class V-Metal Seat
Operation	:	Hand Gear / Actuator (Electrical / Pneumatic).

## CLASS 600 BALL VALVES.



**FULL PORT**



**REDUCED PORT**

Size	Dimensional Data In mm								No. of Holes
	A	ØP	NW	ØD	b	Øg	PCD	HoleØ	
15	165	9.5	13	95	14.5	35	66.7	16	4
20	190	13	19	117	16	43	82.5	20	4
25	216	19	25	124	17.5	51	88.9	20	4
32	229	25	32	133	21	64	98.4	20	4
40	241	32	38	156	22.5	73	114.3	23	4
50	292	38	50	165	25.5	92	127	20	8
65	330	50	65	191	29	105	149.2	23	8
80	365	58	76	210	32	127	168.3	23	8
100	432	76	98	273	38.5	157	215.9	26	8
150	559	98	148	356	48	216	292.1	29	12
200	660	144	198	419	55.5	270	349.2	32	12
250	787	187	254	508	63.5	324	431.8	35	16
300	838	228	305	559	66.5	489	488.9	35	20
350	889	266	337	605	70	416	527	39	20
400	991	305	387	685	76.5	470	632	42	20
450	1092	337	438	745	83	533	654	45	20
500	1194	387	489	815	89	584	723.9	45	24
600	1295	438	540	940	102	692	838.2	51	24

**Standard material of construction :**

½. Body/Side Piece	: WCB, CF8, CF8M, CF3, CF3M, F304, 316, CN7M,	13. Gland Packing	: PTFE, Grafoil.
	: LCB / WCC / Duplex SS	14. Body seal	: PTFE, Grafoil, SWG.
¾. Trunion/ Seat Retainer/ Stuffing Box	: WCB, CF8, CF8M, CF3, CF3M, F304, F316, CN7M.	15. Check Nut	: Carbon steel, AISI304.
6. Gland	: AISI410, 304, 316, 316L, 304L, Monel, Alloy20, Hast-B, C.	16. Thrust Washer	: GFT.
7. Ball	: AISI 410, 304, 316, 316L, 304L, LCB / WCC / Duplex SS	17. Body stud/nut	: B7/2H, B8/B8M.
8. Stem	: Monel, Alloy20, Hast-B, C.	18/19. Stuffing Box/ Trunion Bearing	: AISI 316 Backed PTFE.
9. Seat	: AISI 410, 304, 316, 316L, 304L, Monel, Alloy20, Hast-B, C.	20/21. Stuffing Box/ Trunion Seal	: Grafoil, PTFE.
10. Seat Spring	: PTFE, GFT, CFT / Metal to Metal	22. Bracket	: Carbon steel.
11. O'ring	: Delrin, Nylon.	23. Gland nut	: Carbon steel.
12. Stem Washer	: Inconel, AISI 304.	24. Belleville spring	: Spring steel.
	Viton.	25. Antistatic spring	: SS 304.
	GFT.	26. Gear Box	: Std.

Valves upto 50 NB with lever & higher sizes with gear.

Valves upto 50 NB are Floating Design & above 50 NB Trunion Mounted Design.

Flanged to ANSI B16.10. Butt Weld End Valves Face to Face dimensions are as per BS-5351/API-6D.

All sizes of ball valves can also be provided with Gear, Actuator (Electrical/ Pneumatic).