



INTERVALVE® POONAWALLA LTD.

The name says it all



Ball Valves Series Intervalve T1F, T3F, T8F

Class 150 / 300 / 800, Regular/Full port, Flanged Ends, Screwed, SW Ends Floating design.



2/3 -PIECE, 3-WAY, BALL VALVES.

- ISO 5211 Mounting Pad
Allows for mounting of actuator.
- Maintenance free live loaded double sealing stem packing ensures high cycles life and positive sealing.
- Blow-Out Proof Stem.

Authorised Dealer;
PUSHKARNA SALES PVT LTD
4772.Hauz Qazi.Delhi-110006.
Phone;011-43675881.
Email;sales@pushkarnasales.com
Site;www.pushkarnasales.com

Multiport 3-way ball valves offer superior performance and reliability required to optimize manual and automation process performance. This versatile , high performance multi-port ball valves offer solutions to mixing and diverting, with various available flow patterns and end configurations. It can be maintained in line, leaving the end pieces intact. The direct mounting design makes automation easier. These can be offered in flanged, socketweld, threaded and butt weld connections.

The special features included are :

Superior smooth stem surface that reduces seal friction and operating torque.

Blow out proof stem for maximum safety.

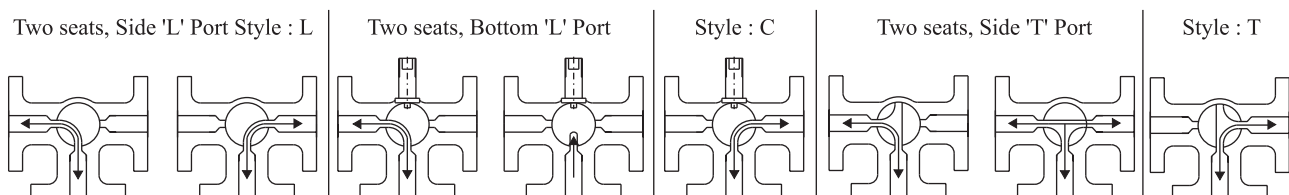
Precisely machined , mirror polished solid ball for tight shut off with less operating torque.

Conformity to codes & standards:

General design & manufacturing.	:	API 6D			
Valve dimensions.	:	ANSI B 16.10, B 16.5			
Valve inspection & testing	:	BS-6755, Part-1	#800	#150	#300
		Hydro shell	: 211 kg/sq.cm	: 31 kg/sq.cm	: 77 kg/sq.cm
		Seat test	: 69 kg/sq.cm	: 23 kg/sq.cm	: 51 kg/sq.cm
		Air seat	: 7 kg/sq.cm	: 7 kg/sq.cm	: 7 kg/sq.cm
Special features	:	Fire Safe to API 607.			
		Metal to Metal Seat			

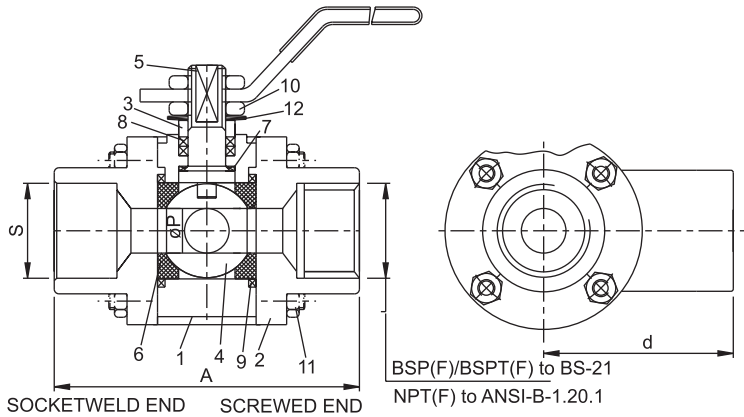
Technical specification:

Valve type	:	3-Way Ball Valve, 2 Seat
Body type	:	2 pc/3pc.
Seat Type	:	Soft / Metal
End connection	:	Flanged/ Screwed/ Socket Weld End.
Size range	:	15 NB to 150 NB for reduced port/full port.
Pressure rating	:	Class 150,300 & 800
seat leakage	:	Class VI - Soft Seat, Class V-Metal Seat.
Operation	:	Hand lever / Gear / Actuator (Electrical / Pneumatic).



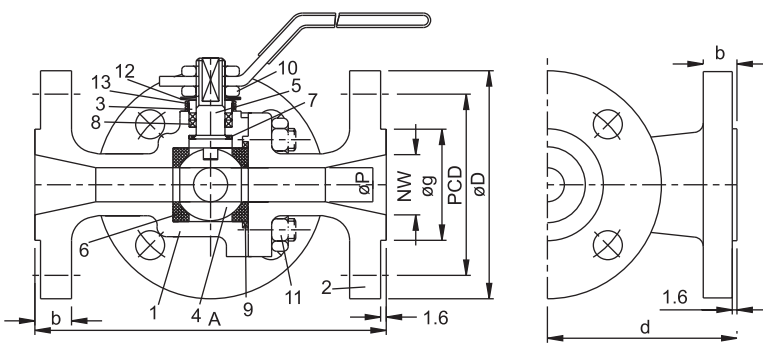
3 Seat design available on request.

CLASS 150 / 300 / 600 / 800 3 WAY BALL VALVE



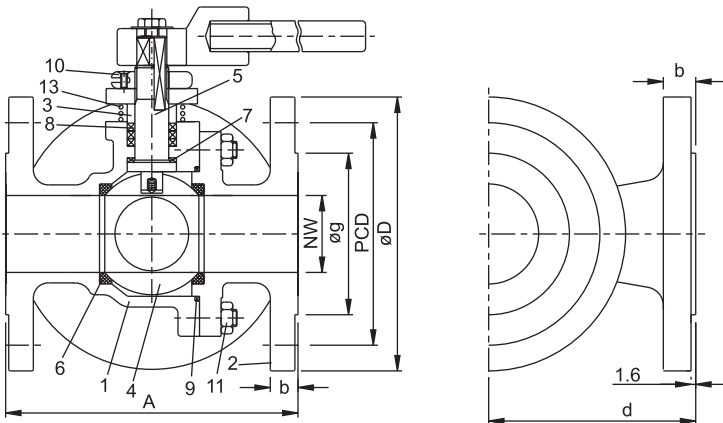
Class 800
Dimensional Data In mm

Size	A	øP		øS	d
		RP	FB		
15	65	9.5	13	21.8	57
20	75	13	19	27.4	68
25	88	19	25	34.1	78
32	105	25	32	42.7	85
40	115	32	38	49	95
50	125	38	---	61	95



Class 150
Dimensional Data In mm

Size	A	øP	NW	øD	d	b	øg	PCD	Holeø	No.of Holes
15	108	9.5	13	89	70	11.5	35	60.5	16	4
20	117	13	19	98	76	13	43	70	16	4
25	127	19	25	108	80	11.5	51	79.5	16	4
32	140	25	32	117	86	13	64	89	16	4
40	165	32	38	127	98	14.5	73	98.5	16	4
50	178	38	50	152	107	16	92	120.6	20	4
65	190	50	65	178	125	17.5	105	139.7	20	4
80	203	58	76	191	133	19.5	127	152.4	20	4
100	229	76	98	229	157	24	157	190.5	20	8
150	267	98	148	279	216	25.5	216	241.3	23	8



Class 300
Dimensional Data In mm

Size	A	øP	NW	øD	d	b	øg	PCD	Holeø	No.of Holes
15	140	9.5	13	95	76	14.5	35	66.7	16	4
20	152	13	19	117	96	16	43	82.5	20	4
25	165	19	25	124	100	17.5	51	89	20	4
32	178	25	32	133	106	19.5	64	98.4	20	4
40	190	32	38	156	120	22	73	114.3	23	4
50	216	38	50	165	125	22.5	92	127	20	8
65	241	50	65	191	140	25.5	105	149.2	23	8
80	283	58	76	210	152	29	127	168.3	23	8
100	305	76	98	254	178	32	157	200	23	8
150	403	98	148	318	215	37	216	269.9	23	12

Standard material of construction:

- | | | | |
|-------------|---|-----------------------|--|
| 1. Body | : A105, WCB, CF8, CF8M, CF3, CF3M, F304, F316, CN7M, Duplex SS | 6. Seat | : PTFE, GFT, CFT/ Metal to Metal/ Delrin, Nylon Peek |
| 2. Pipe end | : A105, WCB CF8, CF8M, Cf3, CF3M, F304, F316, CN7M. | 7. Stem seal | : GFT |
| 3. Gland | : ANSI410, 304, 316, 316L, MONEL, ALLOY20, HAST-B,C. | 8. Gland Packing | : PTFE, Grafoil. |
| 4. Ball | : ANSI410, 304, 316, 316L, MONEL, ALLOY20, HAST-B, C, Duplex SS | 9. Body seal | : PTFE, Grafoil. |
| 5. Stem | : ANSI410, 304,316,316L, MONEL, ALLOY20, HAST-B, C. | 10. Gland nut | : Carbon steel. |
| | | 11. Body stud/nut | : B7/2H, B8/B8M. |
| | | 12. Belleville spring | : Spring steel |
| | | 13. Antistatic spring | : SS 304 |

All sizes of ball valves can also be provided with Gear, Actuator (Electrical/ Pneumatic).