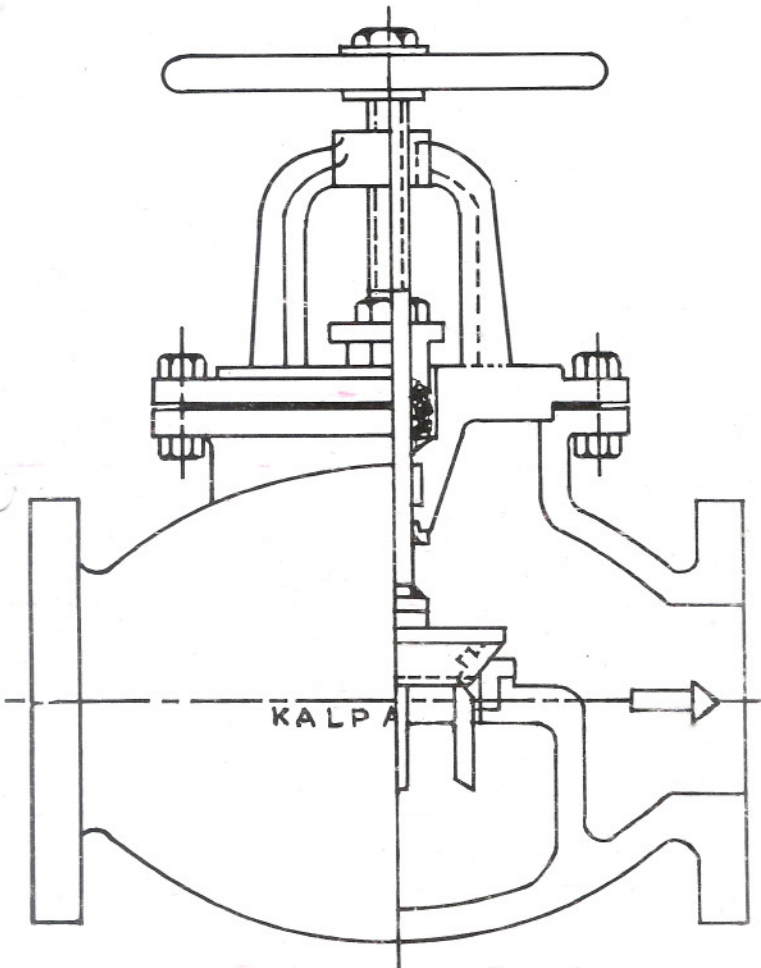


# STOP VALVES

## RISING STEM, OUTSIDE SCREW

### CAST IRON

Authorised Dealer;  
 Pushkarna Sales Pvt Ltd.  
 4772, Hauz Qazi, Delhi-06.  
 Phones : 9810139446, 9818453355.  
 Email: sales@pushkarnasales.com  
 Site: www.pushkarnasales.com



Normal Standard : IS : 9338

Other Standard : BS or as per customer's requirements

Operation Arrangement : Electric Actuator may be provided

Special Features : Indicator may be provided

End Connection : Flanges may be as per customer's requirements

Test Pressure :

Test	PN-1.6	PN-1.0
Size	15 to 150 mm	200 to 300 mm
Body	2.4	1.5
Seat	1.6	1.0
Back seat (where specified)	2.4	1.5

Dimensions in mm

Size	15	20	25	32	40	50	65	80	100	125	150	200	250	300
Face to face dimensions for straight pattern stop valve	130	150	160	180	200	230	290	310	350	400	480	600	730	850
Centre of waterway to top of handwheel, Max	200	200	200	210	240	250	305	315	360	420	465	575	700	800
Dia of handwheel Min	100	100	120	120	140	140	160	180	200	250	320	400	400	400



**Kalpana Valves Manufacturing Co. (P) Ltd.**

Regd. Office :

Jehanpuri, T. Road, Santibagan, Santibagachi, Howrah - 711 104 (W.B.)