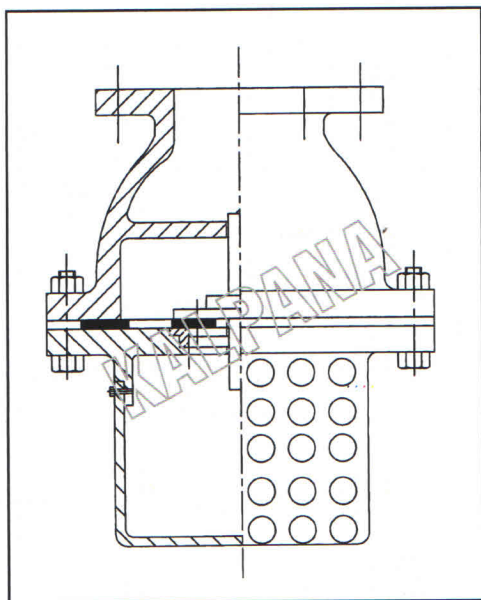


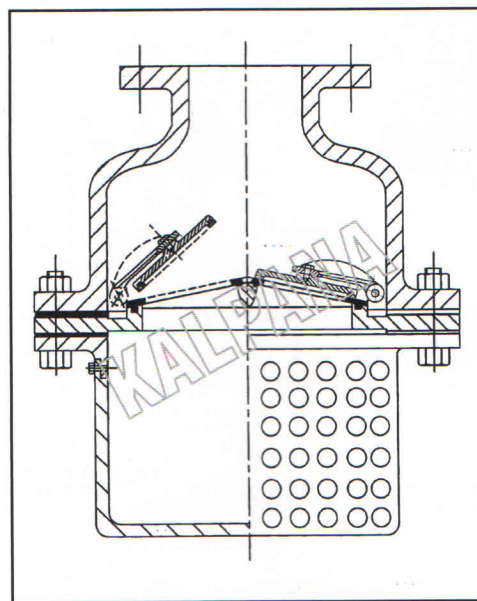


FOOT VALVE

CAST IRON



LIFT TYPE



SWING TYPE

Normal Standard : IS: 4038

Other Standard : BS, DIN, or as per Customer's specification.

Special Features : C.I./Galvanised M.S. Strainer or M.S. Strainer Epoxy coating with rubber base primer, natural/synthetic rubber on the disc.

End Connection : Flanges may be as per customer's requirement.

TEST PRESSURE

Seat	2 Kg.cm ²
Body	6 Kg.cm ²

Dimensions in mm swing type with double disc.

Size	25	30	40	50	65	80	100	125	150	200	250	300	350	400	450
Diameter of ends															
Max	120	140	150	160	220	240	290	340	380	580	625	750	770	870	900

Dimensions in mm lift type with single disc.

Size	50	80	100	125	150	200	250	300	350	400	450	500
Diameter of Ends	160	240	290	340	320	415	500	570	590	625	700	835

QUALITY RELIABILITY SERVICE