

Authorised Dealer;
PUSHKARNA SALES PVT LTD.
4772, Hauz Qazi. Delhi-06.
Phones; 011-43675881/9818453355.
Email; sales@pushkarnasales.com
Site; www.pushkarnasales.com



V-TORK®
WORLD CLASS INDUSTRIAL VALVES

U-250

UNI - DIRECTIONAL KNIFE EDGE GATE VALVE

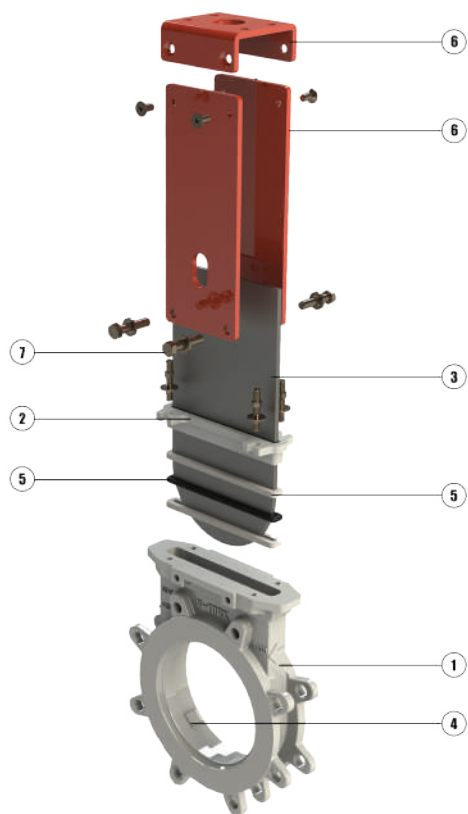
The V-TORK® U-250 Uni directional Lug Type Knife Gate Valve is designed to handle heavy slurries, pulp stock & corrosive fluids in process industries. It features a single piece cast body with heavy duty stainless steel gate & Replaceable metal or resilient seat which provides 100% leak-proof, longer life & greater reliability. The wide range of features makes the valve suitable for wet & dry applications in any kind of harsh industrial conditions.



U-250



U-250



PART NAME	MATERIAL OF CONSTRUCTION
-----------	--------------------------

UNIQUE DESIGN FEATURES



Renewable Seat



V - Fixtures



Deflection Cone



Lock Out System



Wear Rings

1. Body	Ductile Iron/ Cast Iron/Cast Steel/ CF8/ CF8M/ CF3M/ CG8M/ CG3M/ CK3MCuN
2. Gland	Ductile Iron/ Cast Iron/Cast Steel/ CF8/ CF8M/ CF3M/ CG8M/ CG3M/ CK3MCuN
3. Gate	ASTM A240 Gr. SS 304/ SS 316/ SS316L/ SS 117/ SS 117L/ S31254 SMO 254
4. Seat	Metal integral to body/ Soft seat with metal back up ring - body material, Seat material - EPDM (optional - PTFE - Viton)
5. Gland Packing	PTFE Impregnate synthetic fibre(Optional- Graphite/ Ceramic)O Wire EP DM (Optional Viton)
6. Support Plate	Carbon Steel/ Stainless Steel
7. Retainer Ring	Carbon Steel/ Stainless Steel
8. Fasteners	Carbon Steel/ Stainless Steel

* Note : Other exotic alloys on request

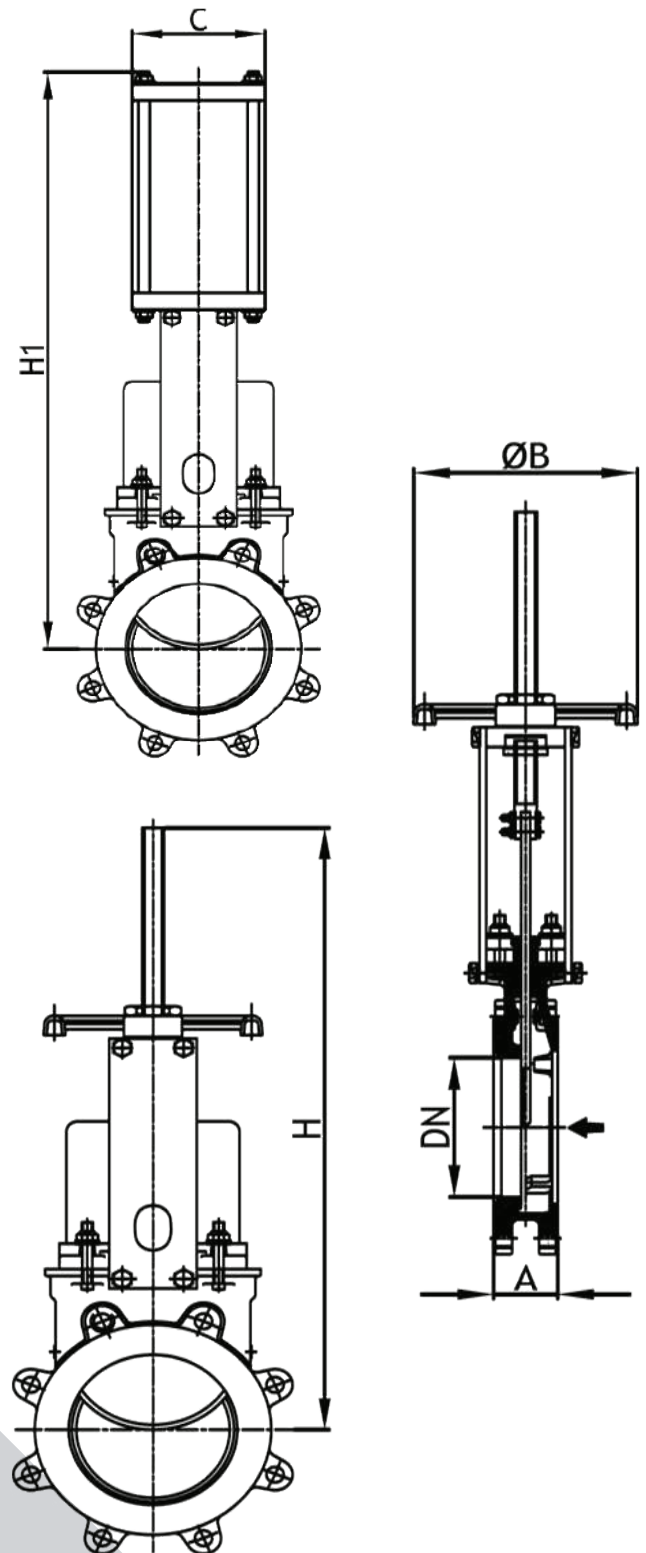


V-TORK[®]
WORLD CLASS INDUSTRIAL VALVES

U-250

DIMENSIONAL DETAILS

DN	A	ØB	C	H	H1
50	48	225	115	420	415
80	51	225	115	475	495
100	51	225	115	520	560
150	57	225	140	650	710
200	70	310	175	820	870
250	70	310	220	1020	1040
300	76	310	220	1120	1190
350	76	410	227	1320	1390
400	89	410	227	1425	1540
450	89	550	382	1600	1710
500	114	550	382	1700	1870
600	114	550	382	2020	2175
700	114	800	444	2575	2550
750	117	800	444	2700	2725
800	117	800	444	3480	2854
900	117	800	515	3800	3200
1000	117	800	515	3980	3485



* Note : Higher sizes on request



V-TORK®
WORLD CLASS INDUSTRIAL VALVES

MODE OF OPERATIONS



Manual Hand Wheel



Manual Chain Wheel



Manual Hand Lever



Manual Bevel Gear



Electrical Actuator



Hydraulic Actuator



Pneumatic Double Action Actuator



Pneumatic Failsafe & Manual Override

SIZE RANGE

2" to 60" (50 mm to 1500 mm)

PRESSURE RATING

150 CWP (1030 kPa)

DESIGN / MANUFACTURING / TESTING STANDARD

MSS SP 81, MSS SP 148, MSS SP 135, MSS SP 151

SEATING

Metal seated, Soft seated

OPERATION

Lever, Hand Wheel, Chain Wheel, Bevel Gear, Hydraulic Cylinder, Pneumatic Cylinder, Electrical Actuator etc.

ACCESSORIES

Limit Switch, Solenoid Valve, Positioner
Air Filter Regulator etc.

APPLICATIONS

Coal Powered Thermal Plants (Ash handling, Coal handling), Cement Plants (Slurry transfer, Dry lime, Pneumatic conveying system), Paper & Pulp (Pulp preparation, Pulp transfer, Stock tower isolation), Sugar Plants, Minerals & Metals (Pneumatic conveying systems, Iron ore flurry, Beneficiation plant, Blastfurnace), Chemical & General Industries (Dry solids bagging, Hopper dump, Pump isolation & Silos), Waste Water Treatment (Digester isolation, Sludge discharge, Sewage).

DISCLAIMER: V-TORK® cannot accept responsibility for possible errors in catalogues, brochures, other printed materials, and website information. V-TORK® reserved right to alter its products without notice including products already on order provided that such alteration can be made without changes being necessary in specifications already agreed. The V-TORK® & V-TORK® Logo types are registered trademarks of V-TORK CONTROLS®. SLUGATE is registered trademark of V-TORK CONTROLS®. All rights reserved.



V-TORK®
WORLD CLASS INDUSTRIAL VALVES

V-TORK CONTROLS
187/2A SNMV College Road, Malumichampatti
Coimbatore - 641 050, Tamilnadu, India
T: +91 7598718922
GST: 33AAHFV1277H124

E-mail - sales@vtorkcontrols.com
vtorkcontrols@gmail.com