

Authorised Dealer;
PUSHKARNA SALES PVT LTD.
4772, Hauz Qazi, Delhi-06.
Phones; 011-43675881/9818453355.
Email; sales@pushkarnasales.com
Site; www.pushkarnasales.com



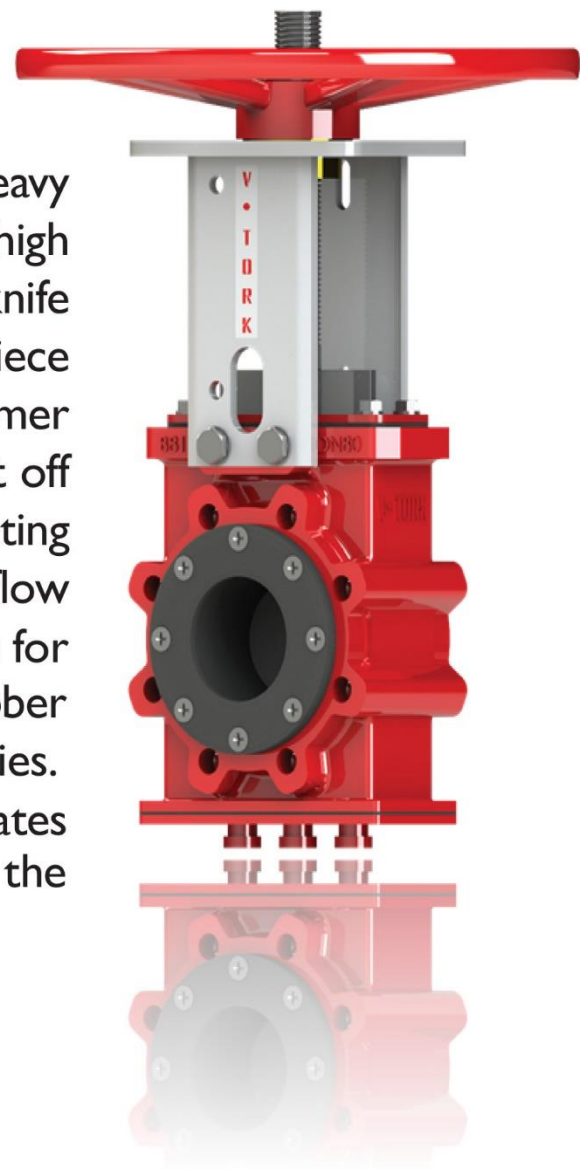
V-TORK®
WORLD CLASS INDUSTRIAL VALVES

B-810

BI - DIRECTIONAL HIGH PRESSURE KNIFE EDGE GATE VALVE

V-TORK® B-810 Single piece heavy duty rugged body design for high pressure slurry applications. This knife gate features full port two piece replaceable metal reinforced elastomer sleeves offering the 100% tight shut off against tough slurries. Dual seating concepts provides Bi-Directional flow and isolation. The valves is suitable for wet services since it has tough rubber sleeves to work against tough slurries.

Unobstructed flow eliminates turbulence, pressure drop across the valve.



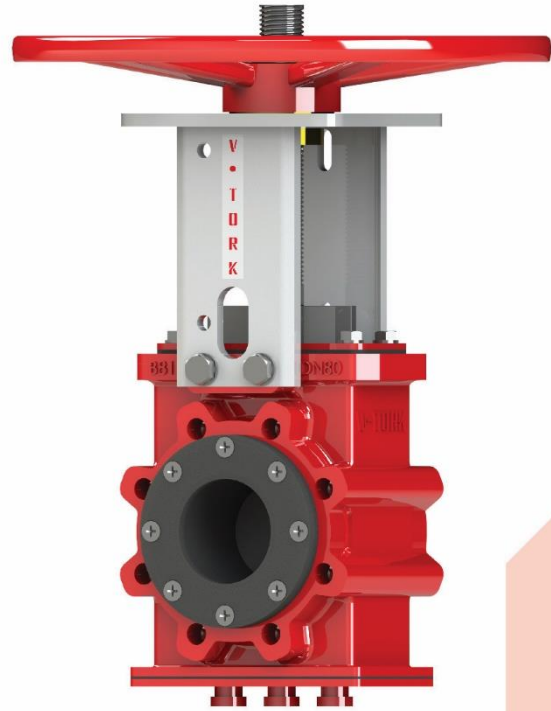
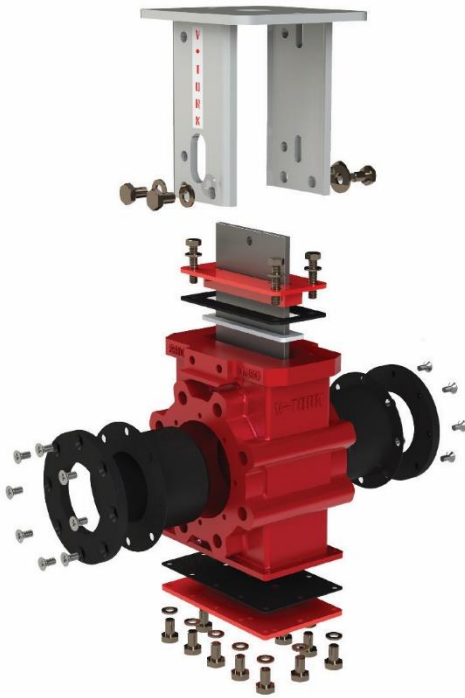
B-810



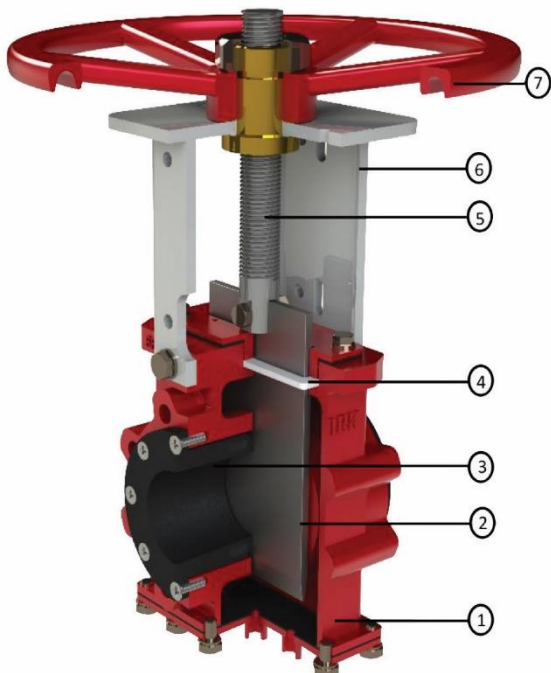
V-TORK®
WORLD CLASS INDUSTRIAL VALVES

**BI - DIRECTIONAL HIGH PRESSURE
KNIFE EDGE GATE VALVE**

B-810



PART NAME MATERIAL



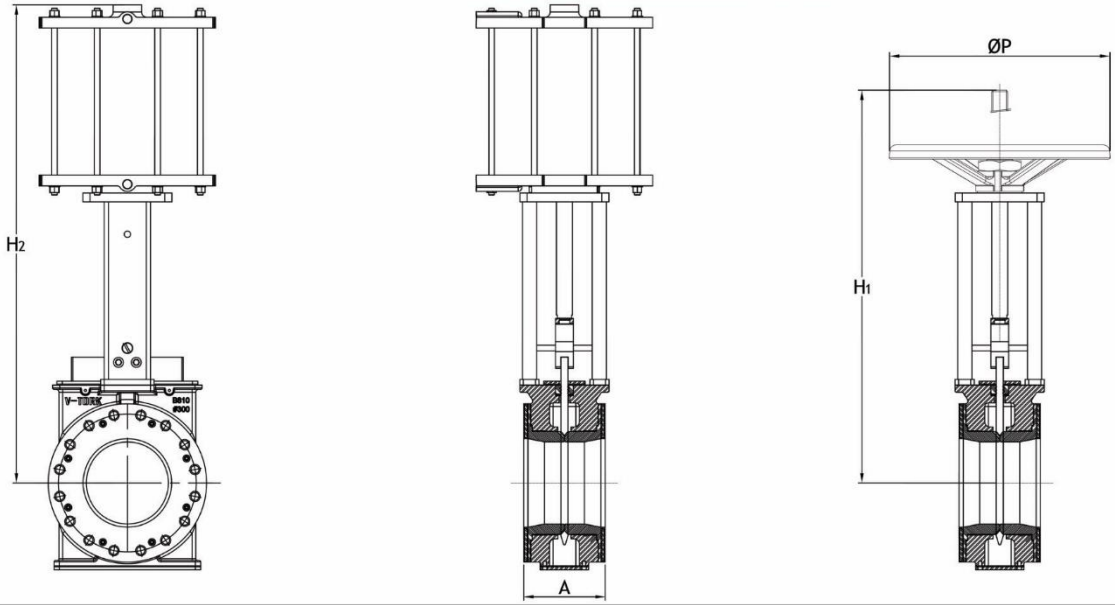
1. Body	Carbon Steel, Stainless Steel
2. Gate	17-4 PH, SS 2205, SS 2507, 904L etc
3. Elastomer Sleeve	EPDM, Natural Rubber, NBR, Viton (other special materials on request)
4. Gland Seal	EPDM, Natural Rubber, NBR, Viton (other special materials on request)
5. Stem	SS 410, SS 304, SS 316 (other special materials on request)
6. Yoke	Carbon Steel
7. Actuator	Manual Hand Wheel, Chain Wheel, Bevel Gear, Hydraulic, Cylinder, Pneumatic Cylinder, Electrical Actuator



**BI - DIRECTIONAL HIGH PRESSURE
KNIFE EDGE GATE VALVE**

B-810

DIMENSIONAL DETAILS



Class #300 Valves

Sl No.	Valve size	A	H1	H2	ØP
1	80 DN	175 mm	520 mm	408 mm	406 mm
2	100 DN	176 mm	692 mm	663 mm	406 mm
3	150 DN	184 mm	853 mm	772 mm	508 mm
4	200 DN	184 mm	1004 mm	994 mm	508 mm
5	250 DN	226 mm	-	1197 mm	-
6	300 DN	258 mm	-	1300 mm	-
7	350 DN	259 mm	-	1519 mm	-
8	400 DN	278 mm	-	1643 mm	-
9	450 DN	321 mm	-	1733 mm	-
10	500 DN	366 mm	-	1993 mm	-
11	600 DN	369 mm	-	2269 mm	-

* Note : Higher sizes on request



V-TORK®
WORLD CLASS INDUSTRIAL VALVES

MODE OF OPERATIONS



Manual Hand Wheel



Manual Chain Wheel



Manual Hand Lever



Manual Bevel Gear



Electrical Actuator



Hydraulic Actuator



Pneumatic Double Acton Actuator



Pneumatic Failsafe & Manual Override

ACCESSORIES

Limit Switch, Solenoid Valve, Positioner, Air Filter Regulator, Filter Regulator Lubricant etc.

APPLICATIONS

Mining, Minerals, Beneficiation Plant, Ash slurry, Cement Slurry, Coal washeries, Slag Granulation, Pellet plants, Lime Slurry, Phosphate, Alumina, etc.

B-810

BI - DIRECTIONAL HIGH PRESSURE KNIFE EDGE GATE VALVE

SIZE RANGE

2" to 24" (50 mm to 600 mm)
Higher size on request

PRESSURE RATING

ASME B16.34 Class 300
51 bar (740 psi) CWP

STANDARD

Manufacturer's standards

FLOW DIRECTION

Can be mounted in both flow directions

UNIQUE DESIGN FEATURES

Easily replaceable retainer ring and elastomer sleeves for long life operation & easy maintenance. Wide body design to eliminate medium Sedimentation. Standard Lock pin arrangement.

OPERATION

Hand Wheel, Chain Wheel, Bevel gear, Hydraulic Cylinder, Pneumatic Cylinder, Electrical Actuator etc.

DISCLAIMER: V-TORK® cannot accept responsibility for possible errors in catalogues, brochures, other printed materials, and website information. V-TORK® reserved right to alter its products without notice including products already on order provided that such alteration can be made without changes being necessary in specifications already agreed. The V-TORK® & V-TORK® Logo types are registered trademarks of V-TORK CONTROLS®. SLUGATE is registered trademark of V-TORK CONTROLS®. All rights reserved.



V-TORK®
WORLD CLASS INDUSTRIAL VALVES

V-TORK CONTROLS
187/2A SNMV College Road, Malumichampatti
Coimbatore - 641 050, Tamilnadu, India
T: +91 7598718922
E-mail - sales@vtorkcontrols.com
vtorkcontrols@gmail.com
Web: - www.vtorkcontrols.com