

Authorised Dealer;
PUSHKARNA SALES PVT LTD.
4772, Hauz Qazi. Delhi-06.
Phones; 011-43675881/9818453355.
Email; sales@pushkarnasales.com
Site; www.pushkarnasales.com



V-TORK®
WORLD CLASS INDUSTRIAL VALVES

B-720

BI - DIRECTIONAL KNIFE EDGE GATE VALVE

V-TORK® B-720 Single piece rugged Bi Directional Knife Gate Valve features full port two piece replaceable metal reinforced elastomer sleeves offering the 100 % tight shut off against tough slurries. Dual seating concept provides bi-directional flow and isolation. The Valve is suitable for wet or dry services since it has tough rubber sleeves to work against tough heavy slurries. Unobstructed flow eliminates turbulence, pressure drop across the valve.

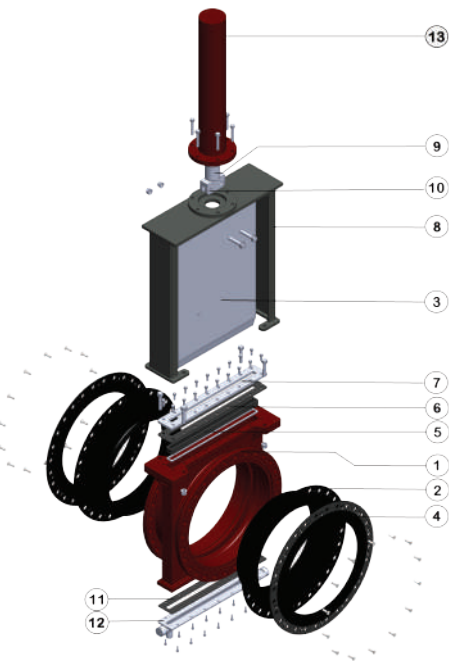


B-720

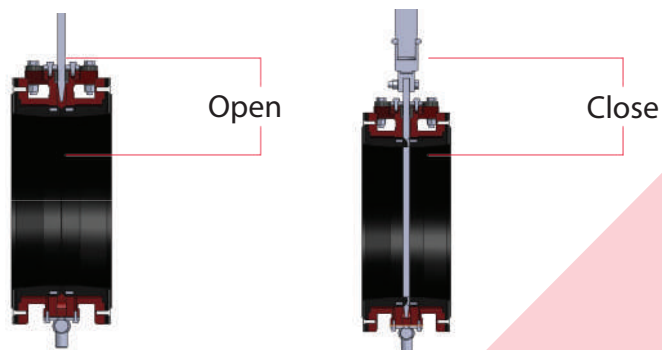


**BI - DIRECTIONAL
KNIFE EDGE GATE VALVE**

B-720



GATE POSITIONS



UNIQUE DESIGN FEATURES



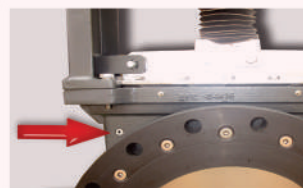
Locking pin arrangement for safety operation



Purge port arrangement to remove the sedimentation from the seat cavity



Stem bellows for protecting the stem from bad atmospheric conditions



Lubrication port for clogging free operation



Replaceable retainer ring and elastomers sleeves for long life operation and easy maintenance

PART NAME

MATERIAL OF CONSTRUCTION

Body	Ductile Iron / Cast Iron
Elastomer Sleeve	Nitrile Rubber with Reinforced Metal Ring / Other materials are also available
Gate	ASTM A240 Gr. SS304 / ASTM A240 G. SS316 / With Hard Chrome Plated
Sleeve Retainer Ring	Nitrile Rubber with Reinforced Metal Ring / Other materials are also available
Gland Seal	Nitrile Rubber
Wiper Seal	Nitrile Rubber
Gland Seal Mounting Plate	SS 304 / SS 316
Support Plate	ASTM A36 Gr. Carbon Steel/IS 2062
Stem	SS 304 / SS316
Clevis	Carbon Steel
Flush Gasket	EPDM / Nitrile Rubber
Flush Plate	SS 304 / SS 316
Cylinder	Double acting Pneumatic / Hydraulic
Fasteners	Steel / SS 304 / ASTM A193-B8

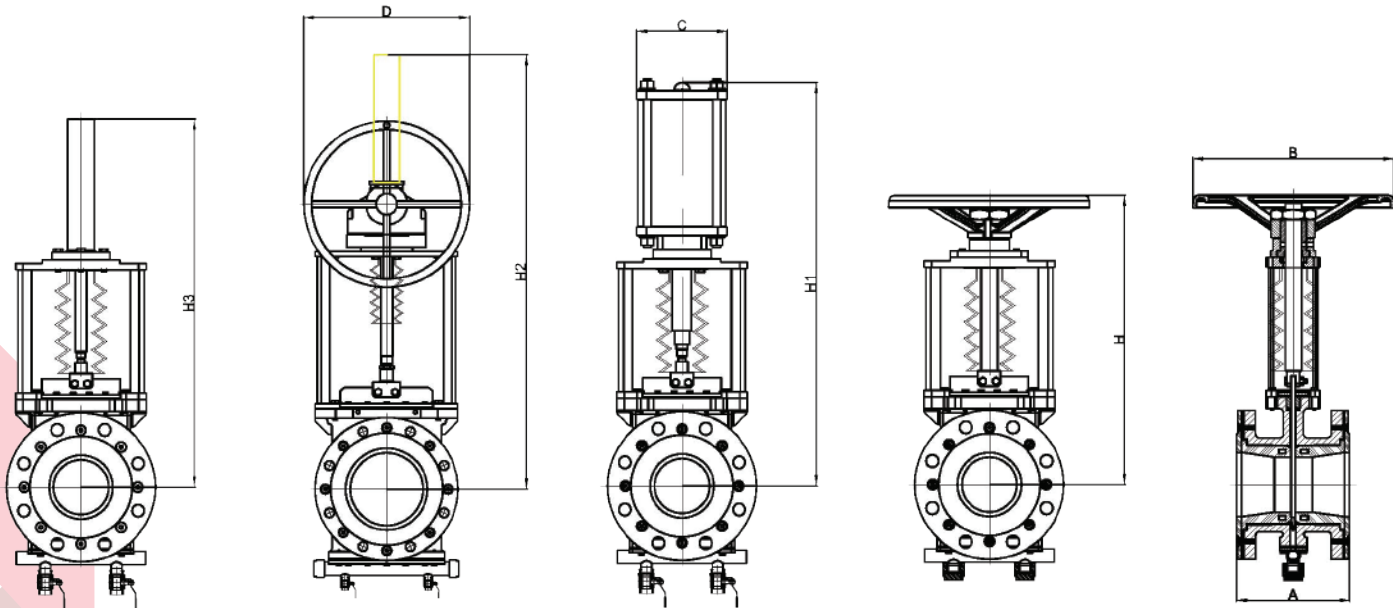


V-TORK®
WORLD CLASS INDUSTRIAL VALVES

BI - DIRECTIONAL KNIFE EDGE GATE VALVE

B-720

DIMENTIONAL DETAILS



SIZE	A	ØB	H	H1	H2	ØD	H3
50							
80	174	304	480.8	543	543.1	304	623
100	174	304	558	608	592.6	304	701
125	--	--	--	--	--	--	--
150	177	406	712	766	808.2	406	863
200	184	508	835	889	878.2	508	973
250	225	508	984.3	1028	1082.8	508	1124
300	257	--	--	1155	1205.2	--	1349
350	257	--	--	1357	1354.1	--	1468
400	279	--	--	1528	1452.9	--	1627
450	311	--	--	1717	1695.5	--	1746
500	359	--	--	1866	1827.3	--	1890
600	371	--	--	2235	2189.2	--	2276
700	372	--	--	--	--	--	2378
750	395	--	--	--	--	--	2697
900	470	--	--	--	--	--	3029
1000	534	--	--	--	--	--	3700
1200	537	--	--	--	--	--	4019
1600	537	--	--	--	--	--	5140

* Note : Higher sizes on request



V-TORK®
WORLD CLASS INDUSTRIAL VALVES

BI - DIRECTIONAL KNIFE EDGE GATE VALVE

B-720

MODE OF OPERATIONS



Manual Hand Wheel



Manual Chain Wheel



Manual Hand Lever



Manual Bevel Gear



Electrical Actuator



Hydraulic Actuator



Pneumatic Double Action Actuator



Pneumatic Failsafe & Manual Override

SIZE RANGE

2" to 64" (50 mm to 1600 mm)

PRESSURE RATING

2" - 24" - 100 PSI, 26" - 64" - 75 PSI

FLOW DIRECTION

Can be mounted in both pressure directions

OPERATION

Lever, Hand Wheel, Chain Wheel,
Bevel gear, Hydraulic Cylinder,
Pneumatic Cylinder, Electrical Actuator etc.

ACCESSORIES

Limit Switch, Solenoid Valve, Positioner
Air Filter Regulator etc.

APPLICATIONS

Mining, Minerals (Bauxite Benefication Plant,
Bauxite slurry, Cement (Slag Granulation),
Metals (Benefication Plant, Iron ore slurry
Suction line), Lime Slurry, Flue gas desulfurization,
Sand & gravel, Coal, Phosphate, Sea water,
Kaolin, Alumina, Soda Ash etc.)

DISCLAIMER: V-TORK® cannot accept responsibility for possible errors in catalogues, brochures, other printed materials, and website information. V-TORK® reserved right to alter its products without notice including products already on order provided that such alteration can be made without changes being necessary in specifications already agreed. The V-TORK® & V-TORK® Logo types are registered trademarks of V-TORK CONTROLS®. SLUGATE is registered trademark of V-TORK CONTROLS®. All rights reserved.



V-TORK®
WORLD CLASS INDUSTRIAL VALVES

V-TORK CONTROLS
187/2A SNMV College Road, Malumichampatti
Coimbatore - 641 050, Tamilnadu, India
T: +91 7598718922
GST: 33AAHFV1277H1Z4

E-mail - sales@vtorkcontrols.com
vtorkcontrols@gmail.com