

Forbes Marshall Cast Strainer

Description

The Forbes Marshall Cast Strainer FMSTR31 is available in cast iron with stainless steel screen having 0.8mm dia. perforations as standard in screwed end connections.

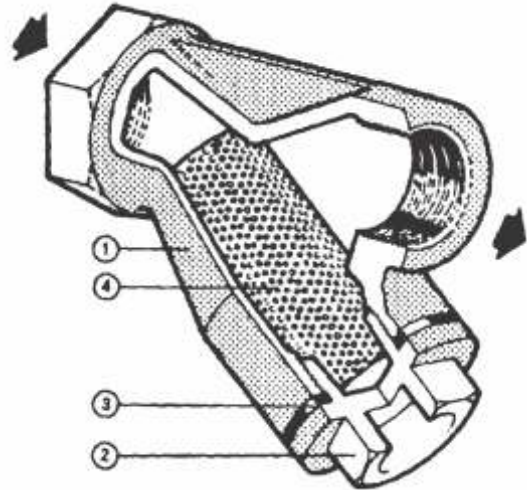
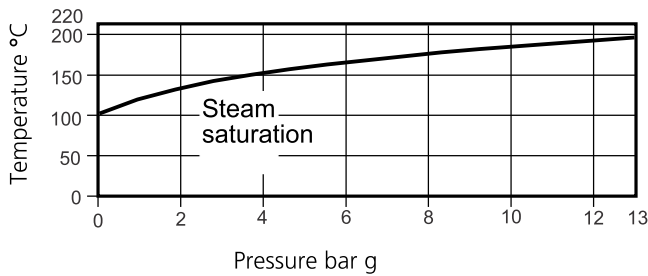
Available Sizes and Pipe Connections

DN 15,20, 25, 40 and 50
Screwed BSPT/NPT
Available with IBR certificate on request (all except 50 DN)

Limiting Conditions

PMO Maximum operating pressure	13 bar g
TMO Maximum operating temperature	220 °C
Cold hydraulic test pressure	26 bar g

Operating Range



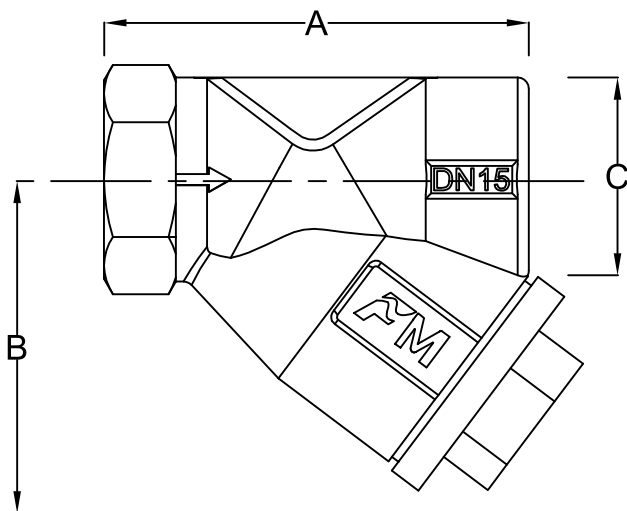
Material

No	Part	Material	Standard
1	Body	Cast Iron	IS 210 Gr. FG 260
2	Cap DN15,20 and 25 DN 40 and 50	Cast Steel Forged steel	ASTM A 216 Gr. WCB ASTM A 105
3	Gasket DN15,20 and 25 DN 40 and 50	Reinforced ex- foliated graphite Asbestos free synthetic fibre	
4	Screen	Stainless steel Type 304	ASTM A 240

Dimensions : (Approx) mm

Size DN	A	B	C	Screening Area	Weight
15	73	53	35	8.77cm ²	2 kg
20	90	65	40	13.84 cm ²	2 kg
25	105	75	47	23.17 cm ²	3 kg
40	154	125	66	52.2cm ²	7 kg
50	188	150	80	79.69cm ²	9 kg

GEN. TOL ± 3.0



Authorised Dealer;
Pushkarna Sales Pvt Ltd.
4772, Hauz Qazi, Delhi-06.
Telefax : 011-23216378/23217239.
Email : sales@pushkarnasales.com
Web : www.pushkarnasales.com
KSB, FORBES MARSHALL, BRAY,
VAAS Valves & Automation.

Installation

The strainer should be installed in the direction of flow, as indicated on the body. On applications involving steam or gases the pocket should be in the horizontal plane. On liquid systems the pocket should point downwards. Suitable isolation valves must be installed to allow for safe maintenance and trap replacement.

Maintenance

Maintenance can be completed with the strainer in the pipeline.

How to Order

Example : 1 No. DN 40 Forbes Marshall Cast Strainer FMSTR31, screwed BSPT IBR

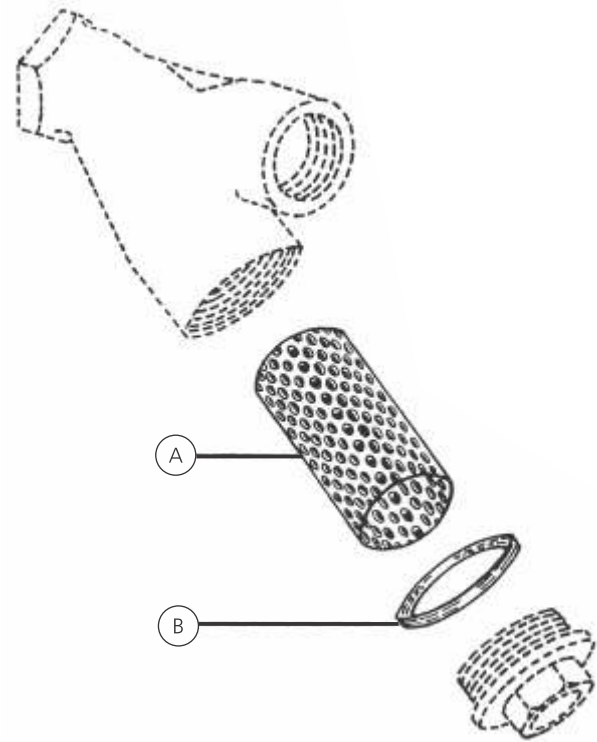
Recommended Tightening Torques

Size (DN)	Torque (Nm) For Cap
15	38-40
20	42-48
25	70-80
40	170-185
50	190-210

The spare parts available are shown, in the figure alongside, in heavy outline. Parts drawn in broken line are not supported as spares.

Available Spares

Strainer screen A+B



How to Order Spares

Always order spares by using the description given in the column headed Available spares and stating the size and type of strainer where perforation or mesh required .

Example: 1 No. strainer screen, stainless steel 304, 0.8mm perforation and gasket for DN40 Forbes Marshall Cast Strainer FMSTR31.

Screen Details

Fitted as standard with SS 304 screen having perforation of 0.8mm dia and other perforations are available to special order.