

A
Bray
High
Performance
Company

Flow-Tek

A Subsidiary of BRAY INTERNATIONAL, Inc.

AUTHORISED DEALER;
PUSHKARNA SALES PVT LTD.
4772.HAUZ QAZI.DELHI-06.
TELEFAX:011-23216378.
EMAIL:sales@pushkarnasales.com
WEB:www.pushkarnasales.com

Worm Gear Operators For 1/2"-12" Ball Valves



GO Series

Flow-Tek's rugged GO Series manual Gear Operators have been designed with a compact, low-profile, cast iron housing to provide long life, reliable trouble free service. The quarter turn operators have been permanently lubricated at the factory before shipping. The housings are weather proof to IP 65 standards – internal parts are fully isolated from atmospheric conditions.

Additionally, an easily visible valve position indicator is standard on the GO Series. All models are self-locking and hold in any position. Travel stops allow easy adjustment during installation. GO Series operators are drilled and tapped to ISO 5211 mounting dimensions.

Output Torque: 2,000 to 22,130 lbs.-in.

Options

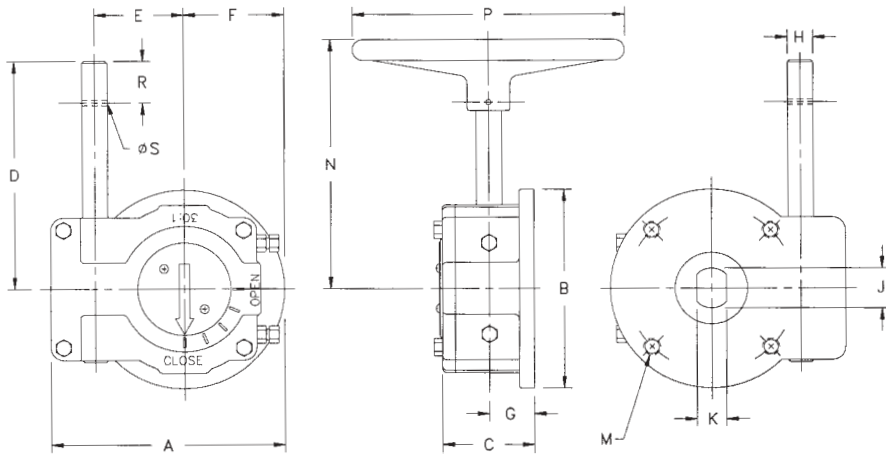
- Locking Device
- Chain Wheel Operators
- Flow Plan Indicators for Multi-Port Valves
- Special Body Coatings
- 2" Square Nut
- Grease Fittings

DIMENSIONS Models GO-1 & GO-2

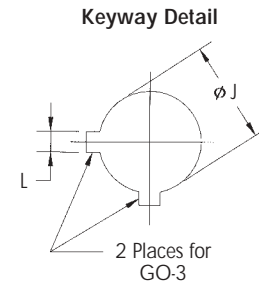
Model	Valve Size ins mm	Ratio	A	B	C	D	E	F	G	H	J	K	M		N	P	Torque lbs-in Nm	Weight lbs. kg.
													Bolt Circle	Threads				
GO-1	1/2-2	20:1	4.53	3.50	2.56	4.72	1.62	1.75	1.44	.63	.75	.51	2.76	5/16-18	5.34	8.0	2,000	9.8
	10-50		115	89	65	120	41	44.4	36.6	16	19	13	70.1	-	135.6	203.2	226	4.4
GO-2	3-4	30:1	6.89	5.91	2.50	6.87	2.62	2.95	1.25	.75	1.18	.87	4.92	1/2-13	7.50	8.0	8,000	15.8
	80-100		175	150	63.5	174.5	66.5	75	31.7	19	30	22.1	125	-	190.5	203.2	904	7.2

DIMENSIONS Model GO-3

Model	Valve Size ins mm	Ratio	A	B	C	D	E	F	G	H	J	L	M		N	P	Torque lbs-in Nm	Weight lbs. kg.
													Bolt Circle	Threads				
GO-3	6-8	50:1	7.53	5.91	3.28	11.0	3.12	2.95	1.68	.75	1.38	.39□	4.92	1/2-13	11.81	12.0	13,000	29.0
	150-200		191	150	83	279	79	74	42.6	19	35	9.9□	125	-	230	305	1469	13.2

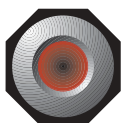
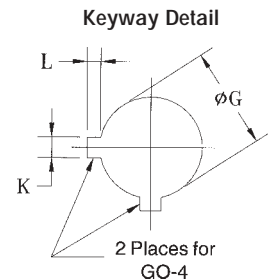
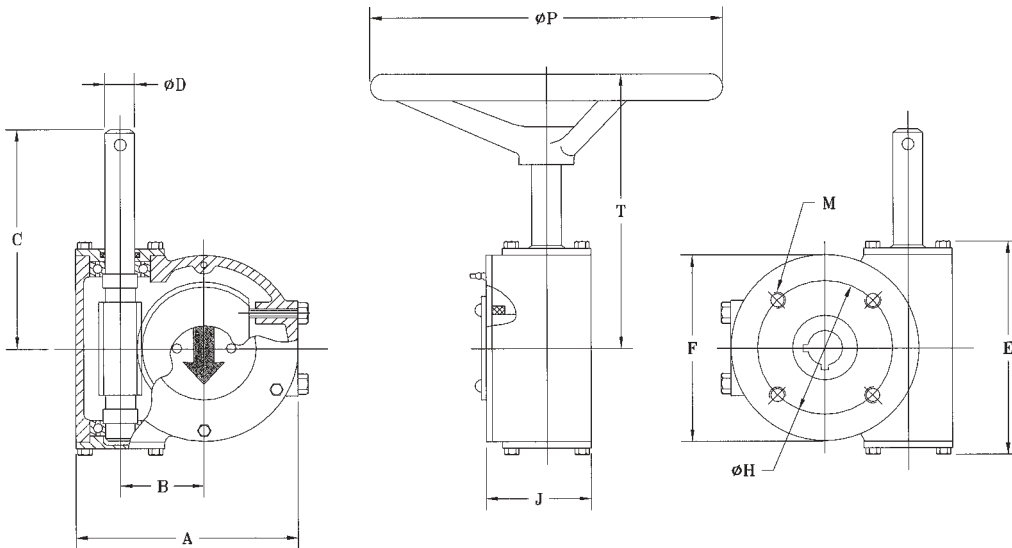


Note: An optional larger handwheel is available for size GO-2 Gear Operators. Dimensions: N = 7.69", P = 12



DIMENSIONS Model GO-4

Model	Valve Size ins mm	Ratio	A	B	C	D	E	F	G	H	J	K	L	M	P	T	Torque lbs-in Nm	Weight lbs. kg.
250-300	289.8	120	307	25.4	251.2	254.8	42.9	140	109	10	4.8	-	400	343	2500	40.3		



Flow-Tek

A Subsidiary of BRAY INTERNATIONAL, Inc.
 11850 Tanner Road Houston, Texas 77041
 832.912.2300 Fax: 832.912.2301
 www.flow-tek.com

All statements, technical information, and recommendations in this bulletin are for general use only. Consult Flow-Tek representatives or factory for the specific requirements and material selection for your intended application. The right to change or modify product design or product without prior notice is reserved.