

AUTHORISED DEALER;  
PUSHKARNA SALES PVT LTD.  
4772.HAUZ QAZI.DELHI-06.  
TELEFAX: 011-23216378.  
EMAIL:sales@pushkarnasales.com

## 3 Piece Ball Valves Full Port: 1/4" - 4"



Series 5000

Flow-Tek's Series 5000 ball valves offer the convenience of a three piece body design at an economical price. The 3 Piece design with a swing out center section allows for ease of in-line and out-of-line maintenance. Standard valve bodies are investment cast CF8M Stainless Steel. All body castings are marked with a foundry heat number for full traceability.

These valves offer quarter turn operation and low operating torque. The Series 5000 features adjustable stem packing, stainless

steel safety trigger locking handles and travel stops which limit handle movement to set 90° intervals. Flow-Tek's heavy duty, high quality stems are internal entry and blow-out proof for maximum safety.

**Secure Mount** The Series 5000 features Flow-Tek's Secure Mount integrally cast actuator mounting pad. The Secure Mount fully complies with ISO 5211, ensuring positive alignment and easy interchangeability of the actuator.

**Pressure Rating:**

1/4"-2": 1000 psi WOG  
2-1/2"-4": 800 psi WOG

**Temperature Range:**

-50°F to +450°F  
-46°C to +232°C

**End Connections:**

Threaded - NPT SS CF8M  
Socket Weld - SS CF3M

**Body Material:**

Stainless Steel CF8M

## COMPONENTS AND MATERIALS

Item	Name	Material	Qty.
1	Body	ASTM A351 Gr CF8M	1
2	End Cap	ASTM A351 Gr CF8M	2
3	Ball	ASTM A479 Type 316	1
4	Seat	RPTFE	2
5	Stem	ASTM A479 Type 316	1
6	Body Seal	PTFE	1
7	Washer	SS304	*
8	Body Nut	SS304	*
9	Body Bolt / Stud	SS304	**
12	Thrust Washer	PTFE	1
14	Stem Packing	PTFE	1
15	Gland Nut	SS304	1
19	Handle Washer	SS304	1
23	Stop Set Sleeve	SS304	1
24	Stop Bolt	SS304	1
25	Handle	SS304	1
26	Handle Nut	SS304	2
28	Handle Sleeve	Vinyl	1
29	Locking Device	SS304	1

- Parts included in the repair kits
- \* Weld Ends use CF3M
- \* Number of Nuts and Spring Washers:
- 1/4"- 2" Valves ..... 4
- 2-1/2"- 3" Valves ..... 8
- 4" Valves ..... 12
- \*\* Number of Body Bolts or Studs:
- 1/4"- 3" ..... 4
- 4" Valves ..... 6

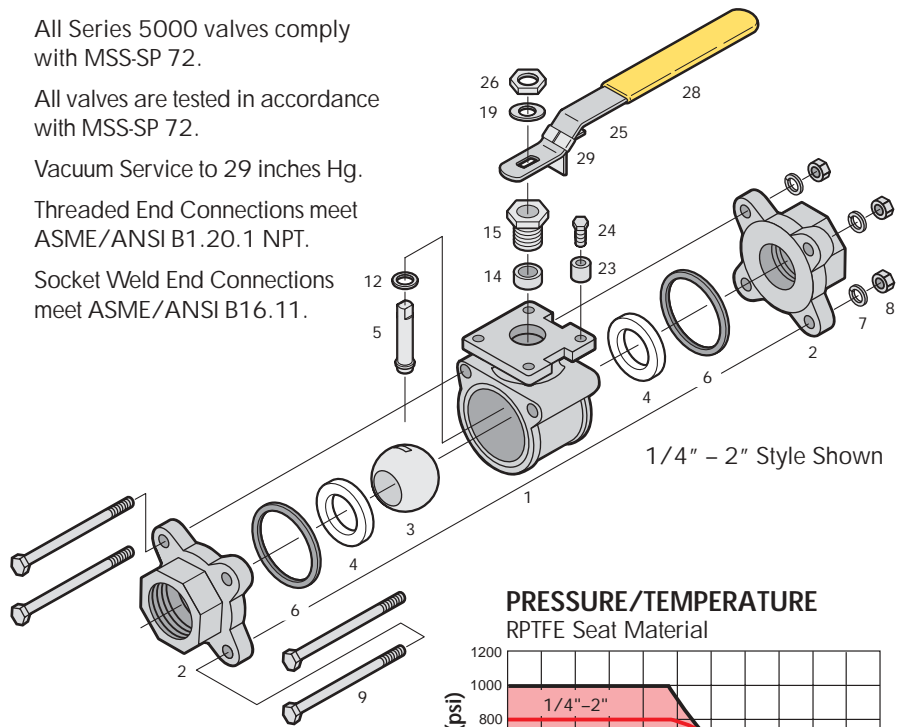
All Series 5000 valves comply with MSS-SP 72.

All valves are tested in accordance with MSS-SP 72.

Vacuum Service to 29 inches Hg.

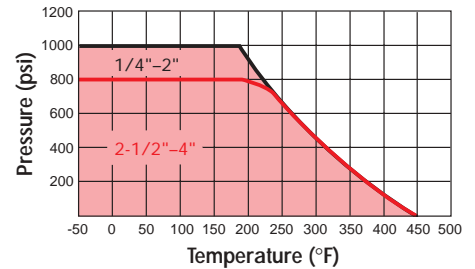
Threaded End Connections meet ASME/ANSI B1.20.1 NPT.

Socket Weld End Connections meet ASME/ANSI B16.11.



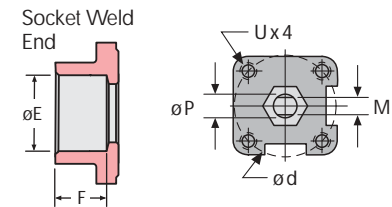
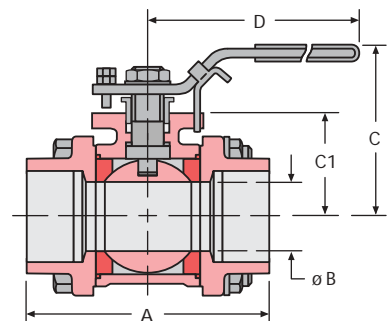
### PRESSURE/TEMPERATURE

RPTFE Seat Material



## DIMENSIONS AND WEIGHTS

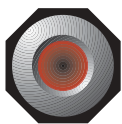
Size ins mm	A	øB Port	C	C1	D	øE	F	ød	M	øP	U	Cv	Torque Weight	
													lbs-in*	lbs kg
1/4 6	2.36 60	0.46 11.6	2.64 67	1.48 37.7	4.72 120	0.57 14.4	0.47 12	1.417 36	0.197 5	0.31 7.9	M5	8	60 7	1.0 0.45
3/8 10	2.36 60	0.49 12.5	2.64 67	1.48 37.7	4.72 120	0.70 17.8	0.47 12	1.417 36	0.197 5	0.31 7.9	M5	8	60 7	0.9 0.43
1/2 15	2.95 75	0.59 15	2.87 73	1.76 44.7	4.72 120	0.87 22	0.47 12	1.417 36	0.197 5	0.37 9.4	M5	32	70 8	1.3 0.6
3/4 20	3.03 77	0.79 20	2.99 76	1.89 48	5.71 145	1.08 27.4	0.55 14	1.417 36	0.256 6.5	0.37 9.4	M5	54	80 9	1.6 0.74
1 25	3.35 85	0.98 25	3.31 84	2.30 58.5	6.10 155	1.34 34.1	0.59 15	1.654 42	0.315 8	0.45 11.4	M5	105	130 15	2.3 1.04
1¼ 32	4.09 104	1.26 32	3.50 89	2.48 63.1	6.10 155	1.69 42.9	0.67 17	1.654 42	0.315 8	0.45 11.4	M5	200	160 18	3.8 1.72
1½ 40	4.72 120	1.50 38	4.06 103	3.02 76.6	6.69 170	1.93 49	0.67 17	1.969 50	0.335 8.5	0.63 16	M6	275	250 28	5.4 2.46
2 50	5.12 130	1.97 50	4.29 109	3.29 83.5	6.69 170	2.42 61.5	0.79 20	1.969 50	0.335 8.5	0.63 16	M6	500	350 40	8.4 3.8
2½ 65	6.50 165	2.56 65	5.20 132	4.50 114.2	9.06 230	3.03 77	0.94 23.8	2.756 70	0.472 12	0.79 20	M8	780	800 90	18.1 8.2
3 80	7.17 182	2.99 76	5.51 140	4.80 122	9.06 230	3.54 90	0.98 25	2.756 70	0.472 12	0.79 20	M8	1150	1200 136	24.3 11
4 100	9.06 230	3.82 97	6.93 176	6.47 164.3	10.83 275	4.54 115.4	1.18 30	4.016 102	0.630 16	0.98 25	M10	1700	2000 226	51.8 23.5



Verify mounting dimensions before manufacturing mounting hardware.

Automated valves may require periodic gland nut adjustments.

\*Based on RPTFE seats at full rated pressure.



# Flow-Tek

A Subsidiary of BRAY INTERNATIONAL, Inc.  
 11850 Tanner Road Houston, Texas 77041  
 832.912.2300 Fax: 832.912.2301  
 www.flow-tek.com

All statements, technical information, and recommendations in this bulletin are for general use only. Consult Flow-Tek representatives or factory for the specific requirements and material selection for your intended application. The right to change or modify product design or product without prior notice is reserved.