

A
Bray
High
Performance
Company

Flow-Tek

A Subsidiary of BRAY INTERNATIONAL, Inc.

AUTHORISED DEALER;
PUSHKARNA SALES PVT LTD.
4772.HAUZ QAZI.DELHI-06.
TELEFAX:011-23216378.
EMAIL:sales@pushkarnasales.com

3 Piece Full Port Ball Valves, 1/4" - 12"

Wide Selection of End Connections



Series 7000 &
Series 8000

Model 7000-316SS
Model 8000-WCB

Flow-Tek's Series 7000 & 8000 ball valves offer the highest flexibility in selection of end connections, seat materials and 3 piece design. To meet customer demands for a valve with the widest possible range of applications, these valves can be fitted with control or tri-ported balls (for full cavity drainage), as well as cavity fillers for special service requirements.

The Series 7000/8000 is designed with extensive interchangeability of balls, stems,

stem packing, handles and mounting hardware between valve sizes and series members. This system reduces parts inventory and maintenance costs.

The 3 Piece Body Design allows the body to swing-out for ease of in-line maintenance. It also makes it possible to offer a wide variety of end connections.

Pressure Ratings 1/4"-4": 1000 psi WOG,
6"-12": to 400 psi WOG

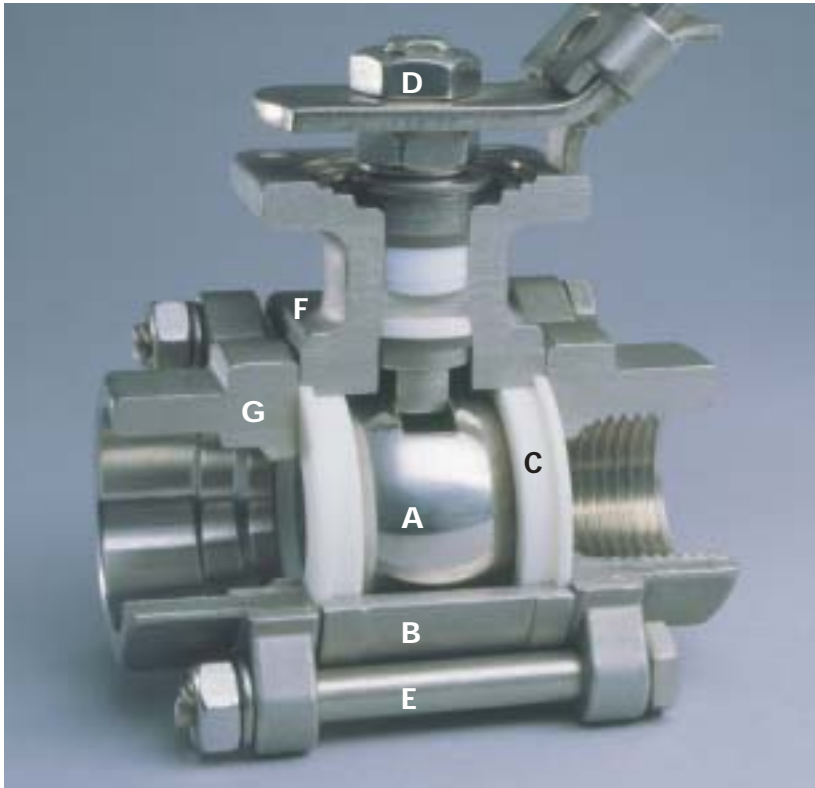
End Connections

- Threaded
- Socket Weld
- Butt Weld
- ANSI 150 Flanged
- Quick Clamp
- Flush Bottom Tank
- Weld In Place Extended

End connections are completely interchangeable.



Features



Ball (A) Flow-Tek balls are precision machined and mirror finished for bubble-tight shut off with less operating torque. Ball edges have machined curvatures to reduce seat wear and provide a high cycle life.

Body (B) Valve bodies are investment cast and solution annealed/normalized for the highest quality and added strength. Body castings are marked with a foundry heat number for full traceability.

Seat (C) Flow-Tek's unique design incorporates a one-piece seat and seal that ensures bi-directional, bubble-tight sealing.

Double Lock Nut Design (D) Standard on the Series 7000/8000, the double lock nuts allow handles to be easily and safely removed while the valve is under full line pressure.

Body Bolts (E) Standard material is 304 Stainless Steel.

Body Hinges (F) Heavy duty hinges, throughout the entire size range, provide positive alignment of body to end connection during swing-out, in-line servicing.

End Connections (G) The Series 7000/8000 features a full range of interchangeable connections.

Anti-Static Protection Series 7000/8000 valves feature anti-static grounding devices as standard. These devices ensure electrical continuity between valve ball, stem and body, thus eliminating the possibility of static electrical charges creating sparks within the valve.

Seat Materials

Flow-Tek offers the following standard seat materials for the Series 7000 and Series 8000: RPTFE, Stainless Steel/PTFE (50/50), UHMWPE, Virgin PTFE, PEEK, Tek-Fil[®], TFM and Cavity Fillers.

Other seat materials are available upon request.

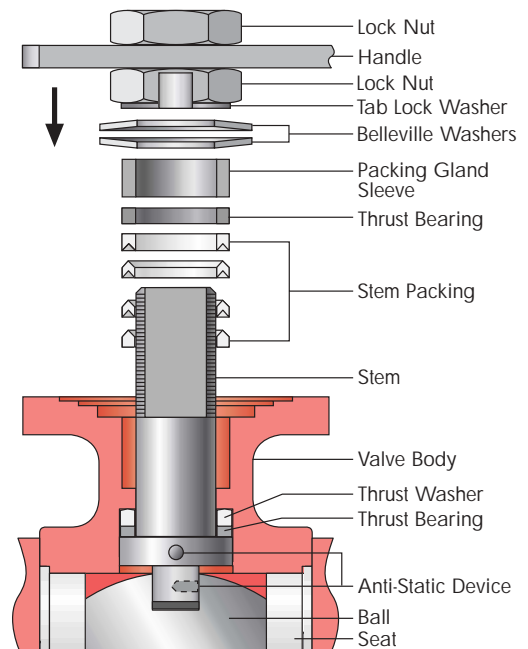
Stem Assemblies

Flow-Tek manufactures heavy duty, high quality stems with double "D" connection to ball and operator mounting. Stems are mated with the ball to ensure positive contact. All Flow-Tek stems are internal entry and blowout proof for maximum safety.

Smart Stem

Valve Sizes 1/4" through 2"

Flow-Tek's Interchangeable Family of valves feature strong, large diameter stems with live-loaded, self-adjusting sealing utilizing belleville washers which automatically adjust to compensate for changes in temperature and wear. Manual adjustments which can cause damage to the seal and seat are not required. The assembly is secured by a saddle-type lock washer which prevents stem nuts from unthreading in high cycle automation applications.



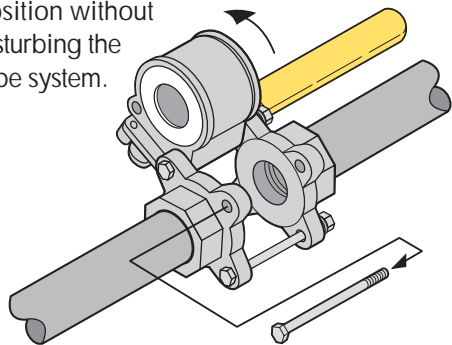
Stem Packing An adjustable V-ring design creates a multiple seal between the stem and body. Each stem assembly is composed of three or four (dependent on valve size) rings providing a very high cycle life by resisting creep and cold flow. The Thrust Bearing and the Thrust Washer combine to provide a secondary seal, reduce torque and prevent galling. This arrangement is a Flow-Tek exclusive.

Features

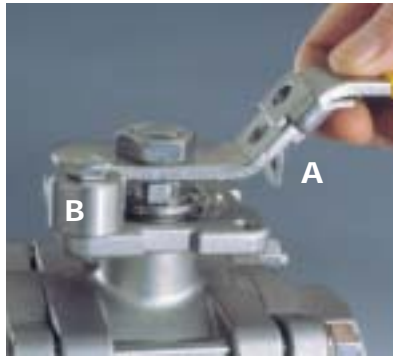
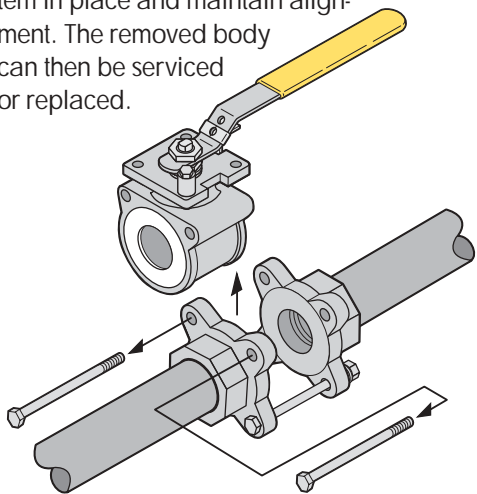
3 Piece Valve Body Design

The unique body design of the Series 7000/8000 offers many advantages, including installation flexibility, and ease of in line and out of line servicing. These time saving features are a big plus for process industries, automated valves and welded piping systems by reducing costly downtime. During maintenance, the actuator and mounting assemblies remain on the valve body. The entire valve and actuator assembly is easily reinstalled. No adjustment or reattachment is necessary.

In Line Servicing To perform in line maintenance, remove one of the body bolts through one of the two body hinges, loosen the remaining bolts and swing the body up. The valve can swing to the left or right depending on which bolt is removed. All body components can be serviced in this position without disturbing the pipe system.



Out of Line Servicing For complete removal of valve from the line, remove the two bolts through the body hinges, loosen the lower two while keeping them in line, then lift the valve body out of the pipeline. The remaining two bolts keep the pipeline system in place and maintain alignment. The removed body can then be serviced or replaced.



Handle (A) Flow-Tek handles feature a Safety Trigger to prevent accidental movement of ball position. Operation is easily made with one hand. The trigger locks the handle in the open or closed position. The handle lock can be bypassed, if needed, with a small bolt through the handle in the bypass position. An **Anti-Tamper Padlock** can be used to secure the handle in position, preventing unwanted access. **Travel Stop (B)** Limits the movement of handle to set 90° intervals, preventing over travel of the ball.



Secure Mount (C) The integrally cast top flange ensures positive actuator mounting. Secure Mount eliminates unwanted actuator movement during high cycle or continuous duty applications. Actuation equipment can be easily and safely removed while the valve is under full line pressure. Designed to ISO 5211 bolting pattern standards.



3 Piece Weld In Place Series

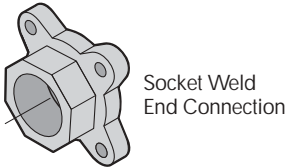
Socket-Weld and Butt-Weld

Flow-Tek offers extended end connections for the Series 7000/8000 valves. These ends allow the customer to weld the valve in the piping system without damaging the seat or seals. Installation time and piping material is reduced. Additionally, the Weld In Place Series extended end connections limit customer liability. The valve is factory assembled and tested, then delivered to the customer for installation. No assembly of valve or actuation equipment is required – valve and actuator integrity are maintained. The Weld In Place also eliminates the possibility of over-torquing the bolts or misplacing valve parts during installation.



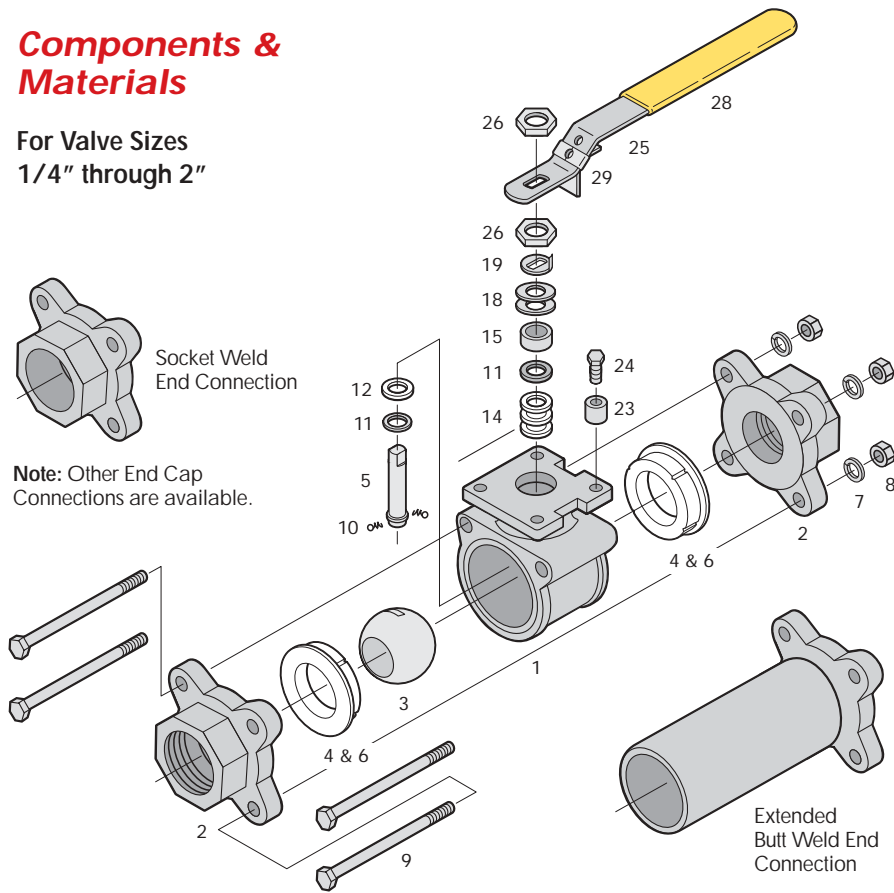
Components & Materials

For Valve Sizes
1/4" through 2"



Socket Weld End Connection

Note: Other End Cap Connections are available.



Extended Butt Weld End Connection

Item	Name	Stainless Steel	Carbon Steel	Qty.
1	Body	ASTM A351 Gr CF8M	ASTM A216 Gr WCB	1
2	End Cap*	ASTM A351 Gr CF8M*	ASTM A216 Gr WCB	2
3	Ball	ASTM A351 Gr CF8M	ASTM A351 Gr CF8M	1
4	Seat	15% RPTFE	15% RPTFE	2
5	Stem	ASTM A479 Type316	ASTM A479 Type316	1
6	Body Seal	PTFE	PTFE	2
7	Spring Washer	SS304	SS304	†
8	Body Nut	SS304	SS304	†
9	Body Bolt / Stud	SS304	SS304	*
10	Anti-Static Device	SS316	SS316	2
11	Thrust Bearing	PEEK	PEEK	2
12	Thrust Washer	50% SS316 + 50% PTFE	50% SS316 + 50% PTFE	1
14	Stem Packing	15% RPTFE	15% RPTFE	**
15	Packing Gland Sleeve	SS304	SS304	1
18	Belleville Washer	SS301	SS301	2
19	Lock Washer	SS304	SS304	1
23	Travel Stop Set Sleeve	SS304	SS304	1
24	Travel Stop Bolt	SS304	SS304	1
25	Handle	SS304	SS304	1
26	Lock Nut	SS304	SS304	2
28	Handle Sleeve	Vinyl Plastisol	Vinyl Plastisol	1
29	Locking Device	SS304	SS304	1

* Weld Ends use CF3M

† Number of Nuts and Spring Washers:
1/4" - 2" Valves ... 4
2-1/2" Valves 8
3" - 4" Valves 12

* Number of Body Bolts or Studs:
1/4" - 2-1/2" ... 4
3" - 4" Valves ... 6

** Number of Rings in Stem Packing:
1/4" - 2-1/2" 3
3" - 4" 4

Specifications

Valve Sizes 1/4" through 12"

Threaded End Connections meet ASME/ANSI B1.20.1 NPT.

Socket Weld End Connections meet ASME/ANSI B16.11.

Butt Weld End Connections meet MSS SP72.

Flanged End Connections meet ASME/ANSI Class 150.

Valve body and end cap connections are high quality investment cast and solution annealed/normalized. Body and end cap wall thickness meets ASME/ANSI B16.34.

Valve stems are blow-out proof for maximum safety and meet ASME/ANSI B16.34 specifications.

All valves are factory tested to MSS SP-72.

Pressure Ratings

Threaded, Socket Weld and Butt Weld:

Sizes 1/4" - 4" 1000 psi WOG

Designed to meet ASME/ANSI

B16.34 pressure rating of Class 300.

Sizes 6" - 12" 400 psi WOG

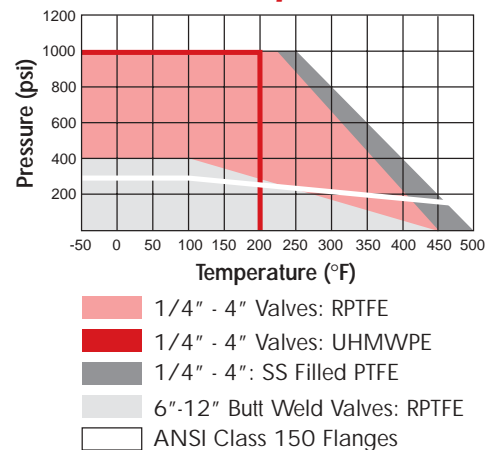
Designed to meet ASME/ANSI

B16.34 pressure rating of Class 150.

Flanged: per Flange Rating, consult factory

Flow-Tek offers the seat, body seal, thrust washer and stem packing as recommended spare parts. These parts are available as a packaged repair kit.

Pressure / Temperature



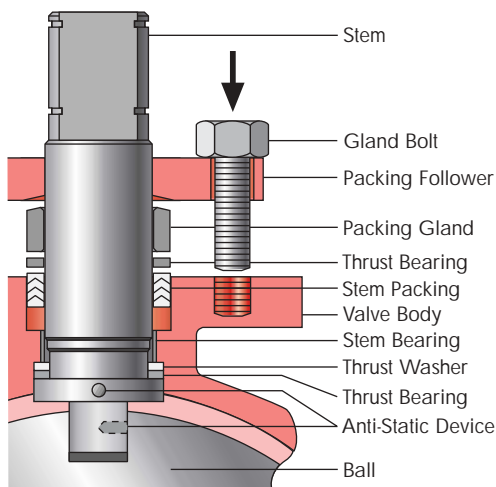
Caution: Do not subject these valves to thermal cycles exceeding 200°F. Series 8000 Carbon steel valves are not suitable for service below -20°F.

Extended Range



Valve Sizes 6"–12" Features

Flow-Tek's Extended Range ball valves feature a compact, lightweight three part body. This design simplifies maintenance procedures, allowing easier handling during disassembly and reassembly. Hex type cap screws ensure precise and secure alignment of valve center body to end connections. All valve parts are interchangeable with Flow-Tek full and reduced port flanged end series F15/RF15 and F30 valves. ANSI Class 150 face-to-face take out dimensions are standard on 6"–12" flanged valves. Butt weld end connections meet ANSI B16.10. Additionally, Flow-Tek's Extended Range is one of the markets only large sized valve ranges to offer body cavity fillers.



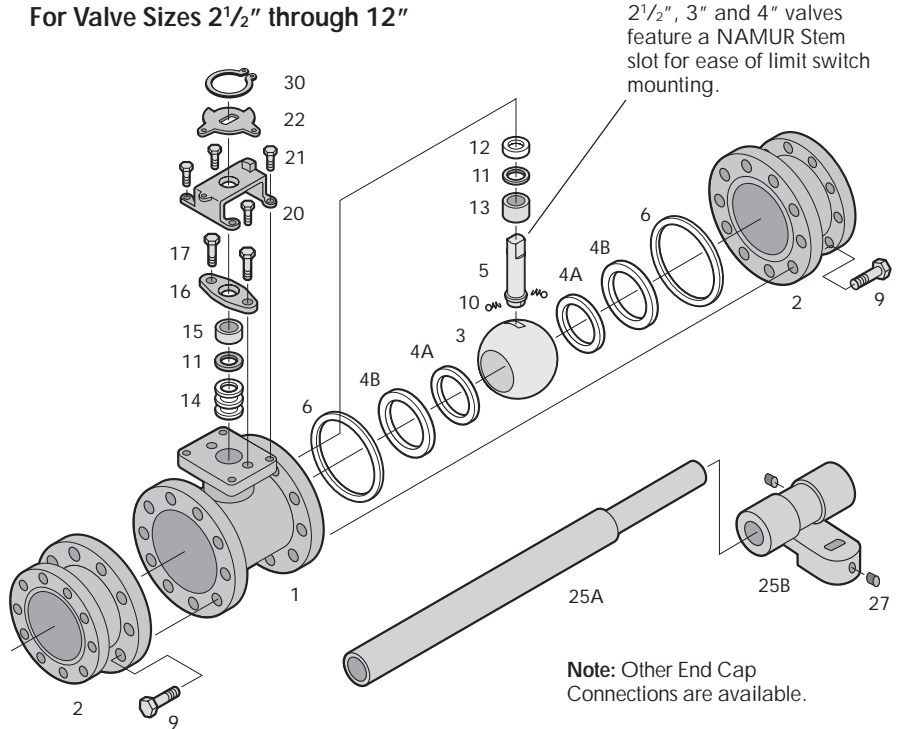
Stem Design for 2½"–12" Valves

The stem is guided by the valve body and the gland, ensuring smooth operation even in high torque service. The packing gland is adjustable and all stems are polished to reduce torque. Optional belleville washers can be added for a self-adjusting, live load.



Components & Materials

For Valve Sizes 2½" through 12"



Note: Other End Cap Connections are available.

Item	Name	Stainless Steel	Carbon Steel	Qty.
1	Body	ASTM A351 Gr CF8M	ASTM A216 Gr WCB	1
2	End Cap*	ASTM A351 Gr CF8M*	ASTM A216 Gr WCB	2
3	Ball	ASTM A351 Gr CF8M	ASTM A351 Gr CF8M	1
4A	Seat	15% RPTFE	15% RPTFE	2
4B	Seat Support	ASTM A351 Gr CF8M	ASTM A216 Gr WCB	2
5	Stem	ASTM A479 Type316	ASTM A479 Type316	1
6	Body Seal	PTFE	PTFE	2
9	Body Bolt	SS304	SS304	*
10	Anti-Static Device	SS316	SS316	2
11	Thrust Bearing	50% SS316 + 50% PTFE	50% SS316 + 50% PTFE	2
12	Thrust Washer	15% RPTFE	15% RPTFE	1
13	Stem Bearing	15% RPTFE	15% RPTFE	1
14	Stem Packing	15% RPTFE	15% RPTFE	**
15	Packing Gland	SS304	Carbon Steel	1
16	Packing Follower	ASTM A351 Gr CF8M	ASTM A216 Gr WCB	1
17	Gland Bolt	SS304	Carbon Steel	2
20	Stop Housing	ASTM A351 Gr CF8M	ASTM A216 Gr WCB	1
21	Housing Bolt	SS304	Carbon Steel	4
22	Travel Stop	SS304	Carbon Steel, Zinc Plated	1
25A	Handle	Ductile Iron/Carbon Steel	Ductile Iron/Carbon Steel	1
25B	Handle Junction	Ductile Iron	Ductile Iron	1
27	Handle Bolt	Carbon Steel	Carbon Steel	2
30	Snap Ring	SS304	SS304	1

* Number of Body Bolts:
 6" Valves 20
 8" Valves 24
 10" Valves 32
 12" Valves 40

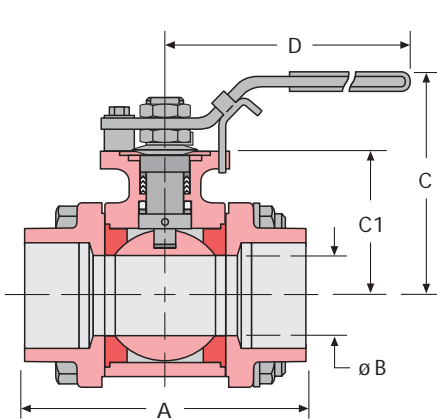
** Number of Rings in Stem Packing:
 6" Valves 3
 8" Valves 3
 10" Valves 4
 12" Valves 4

* Weld Ends use CF3M

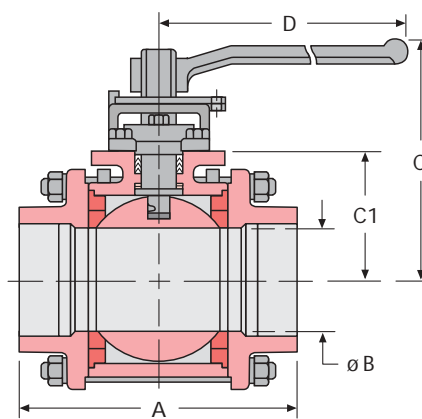
DIMENSIONS Models 7000 (316SS), 8000 (WCB)

Size ins mm	A1	A3	A4	A5	A6	øB	C	C1	D	H	J	K	L	M	P	U (UNC)	Cv	Torque lbs-in Nm	Weight lbs. kg.
1/4 6	2.839 72.1	—	—	—	—	0.374 9.5	2.598 66.0	1.535 39.0	6.496 165.0	1.169 29.7	1.169 29.7	0.315 8.0	0.551 14.0	0.250 6.35	0.366 9.30	10-24	8	65 7.3	1.8 0.8
3/8 10	2.839 72.1	—	—	—	—	0.50 12.7	2.598 66.0	1.535 39.0	6.496 165.0	1.169 29.7	1.169 29.7	0.315 8.0	0.551 14.0	0.250 6.35	0.366 9.30	10-24	8	65 7.3	1.8 0.8
1/2 15	2.839 72.1	4.39 111.5	—	10.035 254.9	9.035 229.5	0.591 15.0	2.598 66.0	1.535 39.0	6.496 165.0	1.169 29.7	1.169 29.7	0.315 8.0	0.551 14.0	0.250 6.35	0.366 9.30	10-24	32	65 7.3	1.8 0.8
3/4 20	3.346 85.0	5.80 147.2	—	10.425 264.8	9.299 236.2	0.787 20.0	2.913 74.0	1.656 42.05	6.496 165.0	1.169 29.7	1.169 29.7	0.315 8.0	0.551 14.0	0.250 6.35	0.366 9.30	10-24	54	80 9	2.3 1.06
1 25	3.620 91.96	5.97 151.7	—	10.705 271.9	9.476 240.7	1.000 25.4	3.425 87.0	2.047 52.0	7.874 200.0	1.392 35.36	1.392 35.36	0.433 11.0	0.748 19.0	0.315 8.0	0.429 10.9	1/4-20	105	120 13.6	3.4 1.52
1¼ 32	4.331 110.0	—	—	11.213 284.8	9.835 249.8	1.260 32.0	3.622 92.0	2.205 56.0	7.874 200.0	1.392 35.36	1.392 35.36	0.433 11.0	0.748 19.0	0.315 8.0	0.429 10.9	1/4-20	200	235 26.6	4.9 2.22
1½ 40	4.843 123.0	8.03 204.0	—	11.780 299.2	10.276 261.0	1.496 38.0	4.134 105.0	2.598 66.0	9.843 250.0	1.949 49.5	1.949 49.5	0.551 14.0	0.906 23.0	0.374 9.5	0.618 15.7	5/16-18	275	290 32.8	7.6 3.45
2 50	5.591 142.0	9.04 229.6	—	12.480 317.0	10.732 272.6	2.000 50.8	4.528 115.0	2.953 75.0	9.843 250.0	1.949 49.5	1.949 49.5	0.551 14.0	0.906 23.0	0.374 9.5	0.618 15.7	5/16-18	500	370 41.8	11.4 5.16
2½ 65	7.264 184.5	—	—	12.00 304.8	12.00 304.8	2.559 65.0	5.039 128.0	3.386 86.0	9.843 250.0	2.839 72.12	2.839 72.12	0.689 17.5	1.142 29.0	0.472 12.0	0.748 19.0	5/16-18	780	685 77.4	21.8 9.91
3 80	7.953 202.0	10.10 256.5	7.40 188.0	—	12.00 304.8	2.992 76.0	6.417 163.0	3.720 94.5	15.354 390.0	3.543 90.0	1.874 47.6	1.752 44.5	3.071 78.0	0.669 17.0	1.102 28.0	1/2-13	1150	800 90.4	34.6 15.7
4 100	9.055 230.0	13.90 353.0	8.76 222.5	—	12.00 304.8	4.016 102.0	7.087 180.0	4.350 110.5	15.354 390.0	3.543 90.0	1.874 47.6	1.752 44.5	3.071 78.0	0.669 17.0	1.102 28.0	1/2-13	2100	1750 197.8	54.7 24.8
6 150	18.00 457.2	15.50 394.0	—	—	—	5.984 152.0	12.205 310.0	7.165 182.0	43.307 1100.0	3.375 85.73	3.375 85.73	1.654 42.0	3.543 90.0	1.024 26.0	1.713 43.5	1/2-13	5000	4600 519.8	233.7 106
8 200	20.50 520.7	18.00 457.0	—	—	—	7.874 200.0	13.504 343.0	8.465 215.0	43.307 1100.0	3.375 85.73	3.375 85.73	1.654 42.0	3.543 90.0	1.024 26.0	1.713 43.5	1/2-13	9600	10800 1220	377 171
10 250	22.00 558.8	21.00 533.0	—	—	—	9.843 250.0	14.685 373.0	9.961 253.0	43.307 1100.0	4.528 115.0	4.528 115.0	1.969 50.0	3.780 96.0	1.378 35.0	2.165 55.0	5/8-11	15000	18800 2124	632.7 287
12 300	25.00 635.0	24.00 610.0	—	—	—	11.811 300.0	16.260 413.0	11.535 293.0	43.307 1100.0	4.528 115.0	4.528 115.0	1.969 50.0	3.780 96.0	1.378 35.0	2.165 55.0	5/8-11	21000	27600 3119	CF

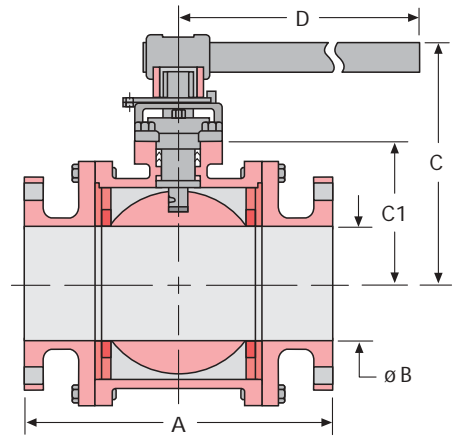
Dimension A is the length of Valve including End Connections as follows: A1= Threaded, Socket Weld & Sch 40 Butt Weld; A3= Flanged; A4= Quick Clamp; A5= Extended Socket Weld; A6= Extended Butt Weld. Note: 1/4"-4" Weights are based on Threaded End Connection. 6"-12" Weights are based on Class 150 Flanged ends.



1/2" - 2 1/2" VALVES

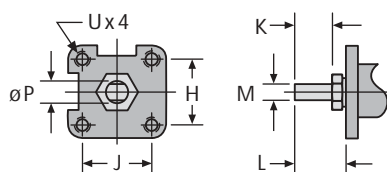


3"-4" VALVES

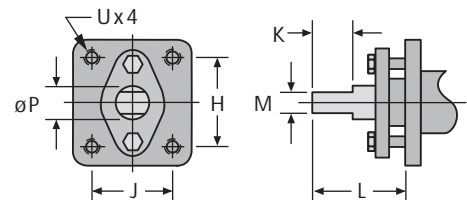


6"-12" VALVES

SECURE MOUNT



1/4" - 2 1/2" VALVES



3"-12" VALVES

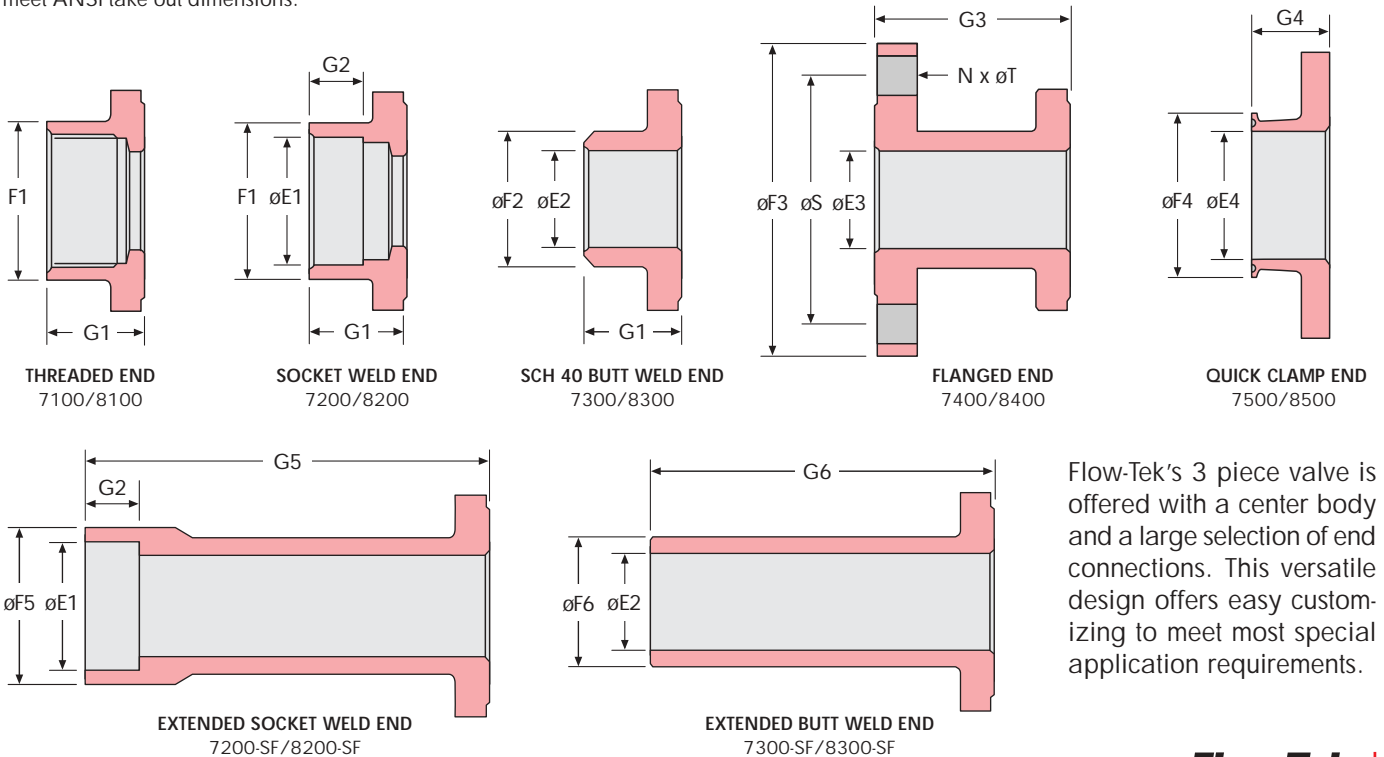
Dimensions



DIMENSIONS Models 7000 (316SS), 8000 (WCB)

Size ins mm	E1	E2	E3	E4	F1	F2	F3	F4	F5	F6	G1	G2	G3	G4	G5	G6	N	S	T
1/4 6	0.551 14.0	0.364 9.25	—	—	0.984 25.0	0.540 13.72	—	—	—	—	0.898 22.8	0.500 12.7	—	—	—	—	—	—	—
3/8 10	0.689 17.5	0.493 12.52	—	—	0.984 25.0	0.675 17.15	—	—	—	—	0.898 22.8	0.500 12.7	—	—	—	—	—	—	—
1/2 15	0.854 21.7	0.622 15.8	0.567 14.4	—	1.102 28.0	0.840 21.34	3.500 88.9	—	1.142 29.0	0.866 22.0	0.898 22.8	0.500 12.7	1.673 42.5	—	4.496 114.2	3.996 101.5	4	2.380 60.45	0.620 15.75
3/4 20	1.067 27.1	0.824 20.93	0.787 20.0	—	1.390 35.3	1.050 26.67	3.880 98.55	—	1.457 37.0	1.102 28.0	1.020 25.9	0.563 14.3	2.244 57.0	—	4.559 115.8	3.996 101.5	4	2.750 69.85	0.620 15.75
1 25	1.331 33.8	1.049 26.64	0.984 25.0	—	1.654 42.0	1.315 33.4	4.250 107.95	—	1.772 45.0	1.339 34.0	1.068 27.13	0.626 15.9	2.244 57.0	—	4.610 117.1	3.996 101.5	4	3.120 79.25	0.620 15.75
1 1/4 32	1.667 42.6	1.380 35.04	—	—	2.047 52.0	1.660 42.16	—	—	2.165 55.0	1.693 43.0	1.244 31.6	0.689 17.5	—	—	4.685 119.0	3.996 101.5	—	—	—
1 1/2 40	1.913 48.6	1.610 40.9	1.496 38.0	—	2.362 60.0	1.900 48.26	5.000 127.0	—	2.441 62.0	1.929 49.0	1.280 32.5	0.752 19.1	2.874 73.0	—	4.748 120.6	3.996 101.5	4	3.880 98.55	0.620 15.75
2 50	2.406 61.1	2.067 52.51	2.000 50.8	—	2.913 74.0	2.375 60.33	6.000 152.4	—	2.913 74.0	2.402 61.0	1.425 36.2	0.874 22.2	3.150 80.0	—	4.870 123.7	3.996 101.5	4	4.750 120.65	0.750 19.05
2 1/2 65	2.906 73.8	2.461 62.5	—	—	3.386 86.0	2.874 73.0	—	—	—	—	1.949 49.5	0.984 25.0	—	—	—	—	—	—	—
3 80	3.535 89.8	2.992 76.0	2.992 76.0	2.866 72.8	4.173 106.0	3.622 92.0	7.500 190.5	3.579 90.9	—	—	1.969 50.0	0.984 25.0	3.041 77.25	1.693 43.0	—	—	4	6.000 152.40	0.750 19.05
4 100	4.543 115.4	4.016 102.0	3.996 101.5	3.835 97.4	5.315 135.0	4.783 121.5	9.000 228.6	4.682 118.92	—	—	2.087 53.0	1.181 30.0	4.508 114.5	1.938 49.23	—	—	8	7.500 190.50	0.750 19.05
6 150	—	6.065 154.05	5.984 152.0	—	—	6.625 168.28	11.00 279.4	—	—	—	4.866 123.6	—	3.622 92.0	—	—	—	8	9.500 241.30	0.880 22.35
8 200	—	7.981 202.72	7.874 200.0	—	—	8.625 219.08	13.50 342.9	—	—	—	5.230 132.85	—	3.976 101.0	—	—	—	8	11.750 298.45	0.880 22.35
10 250	—	10.020 254.51	9.843 250.0	—	—	10.75 273.05	16.00 406.4	—	—	—	4.937 125.4	—	4.429 112.5	—	—	—	12	14.250 361.95	1.000 25.40
12 300	—	11.938 303.23	11.811 300.0	—	—	12.75 323.85	19.00 482.6	—	—	—	5.138 130.5	—	4.646 118.0	—	—	—	12	17.000 431.80	1.000 25.40

For Cam Lock, Tube O.D. and Flush Bottom Tank connection dimensions and for other available End Connections, please consult the Flow-Tek factory. End connections are fully interchangeable and can be used in any combination. Note: Due to design constraints, 1/4"–4" flanged end connections do not meet ANSI take out dimensions.



Flow-Tek's 3 piece valve is offered with a center body and a large selection of end connections. This versatile design offers easy customizing to meet most special application requirements.



Accessories

Ordering Information

Item	Selection	Code
1. Body Material:	316 Stainless Steel (CF8M)	7
	WCB Carbon Steel (A216)	8
2. End Connection:	Threaded (NPT)	1
	Socket Weld	2
	Butt Weld	3
	ANSI 150 lb. Flanged	4
	Quick Clamp	5
	Flush Bottom Tank	Consult Factory
Weld In Place Extended	Consult Factory	
3. Valve Size:	1/4" = 01, 3/8" = 02, 1/2" = 03, 3/4" = 04,	
	1" = 05, 1 1/4" = 06, 1 1/2" = 07, 2" = 08,	
	2 1/2" = 09, 3" = 10, 4" = 11, 6" = 13, 8" = 14,	
	10" = 15, 12" = 16	
4. Ball and Stem:	316 Stainless Steel	3
	304 Stainless Steel	2
5. Seat*:	RPTFE	R
	Virgin PTFE	T
	Tek-Fil®	I
	Stainless Steel Filled PTFE (50/50)	S
	PEEK	P
	UHMWPE	U
	TFM	J
	Cavity Fillers (PTFE is Standard)	F
6. Seals*:	RPTFE	R
7. Operator:	Manual Locking Handle	L
	Oval Locking Handle	O/L
	Double Acting Actuator	DA
	Spring Return Actuator	SR
	Electric Actuator	EL
	Special Feature	SF

*Other seat and seals materials are available upon request.

Ordering Example:

Body	Connection	Size	Ball/Stem	Seat	Seals	Operator
(316)	(NPT)	(1")	(316)	(RPTFE)	(RPTFE)	Handle
7	- 1	- 05	- 3	- R	- R	- L

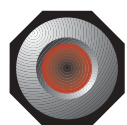
Cavity Fillers

Flow-Tek offers body Cavity Fillers as an option to the standard valve seats. Cavity Fillers are designed to reduce the possibility of contamination due to entrapment of line media fluids in the void behind the ball and the valve body wall. These seats are ideal for applications where cross contamination is a concern, such as with paints and dyes, and for sanitary applications.



Media Containment Unit

In the event of a stem leak that cannot be corrected, Flow-Tek offers a Media Containment Unit which easily mounts to standard valves. These units prevent costly downtime and allow maintenance to be scheduled when convenient. The M/C unit can be provided with a button-head check valve for injection of a sealing agent. Also, this unit is an excellent, cost effective way to address emission control requirements.



Flow-Tek

A Subsidiary of BRAY INTERNATIONAL, Inc.
11850 Tanner Road Houston, Texas 77041
832.912.2300 Fax: 832.912.2301