

A
Bray
High
Performance
Company

Flow-Tek

A Subsidiary of BRAY INTERNATIONAL, Inc.

AUTHORISED DEALER;
PUSHKARNA SALES PVT LTD.
4772 .HAUZ QAZI .DELHI -06 .
TELEFAX: 011-23216378 .
EMAIL: sales@pushkarnasales.com

2 Piece Threaded Full Port Ball Valves: 1/4" - 3"



Series 80

Flow-Tek's Series S80 ball valves have been designed to meet the needs of the chemical, textile and process industries. Standard 2-piece valve bodies are available in Stainless or Carbon Steel. Stainless Steel bodies are investment cast and solution annealed for the highest quality and added strength. All body castings are marked with a foundry heat number for full traceability.

These quarter turn valves feature a full port design that minimizes pressure drops with smooth flow characteristics.

Other features include low operating torque, adjustable stem packing, blowout proof stems, and stainless steel safety latch handles.

Pressure Rating 1000 psi WOG
150 psi Steam

Temperature Range
-50°F to +450°F
-46°C to +232°C

End Connections Threaded - NPT

Body Material Stainless Steel

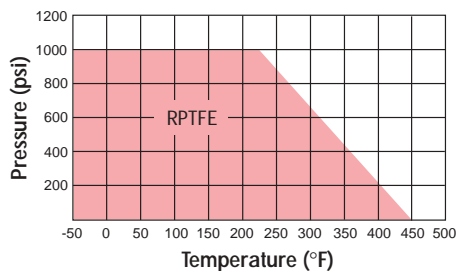


Technical Data

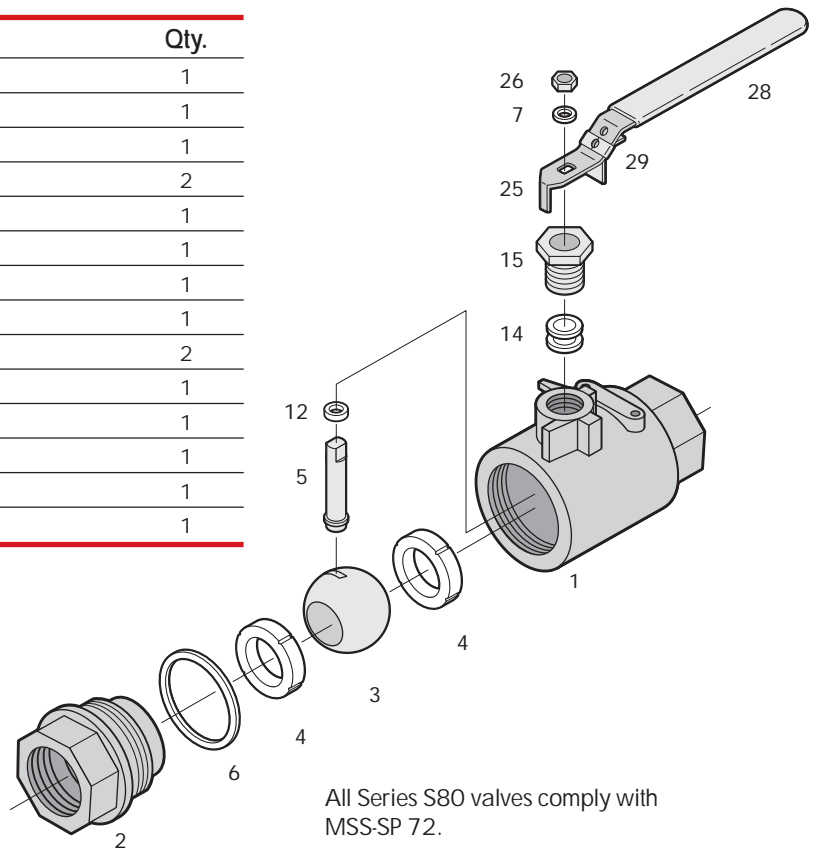
COMPONENTS AND MATERIALS

Item	Name	Stainless Steel	Qty.
1	Body	ASTM A351 Gr CF8M	1
2	End Cap	ASTM A351 Gr CF8M	1
3	Ball	ASTM A351 Gr CF8M	1
4	Seat	RPTFE	2
5	Stem	ASTM A479 Type 316	1
6	Body Seal	RPTFE	1
7	Spring Washer	SS300	1
12	Thrust Washer	RPTFE	1
14	Stem Packing	RPTFE	2
15	Packing Gland	SS304	1
25	Handle	SS304	1
26	Handle Nut	SS304	1
28	Handle Sleeve	Vinyl	1
29	Locking Device	SS300	1

PRESSURE/TEMPERATURE



STEAM RATING:
150 psi WSP



All Series S80 valves comply with MSS-SP 72.

All valves are tested in accordance with MSS-SP 72.

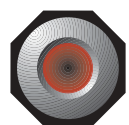
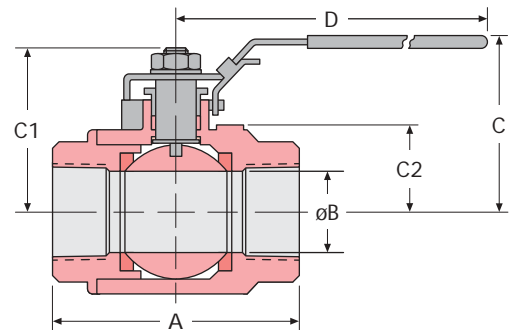
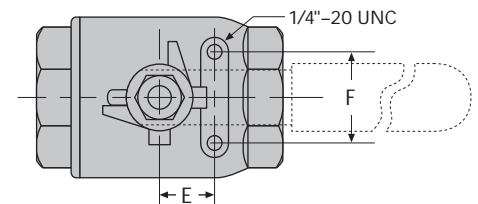
Vacuum Service to 29 inches Hg.

DIMENSIONS AND WEIGHTS

Torque Weight

Size ins mm	A	øB PORT	C	C1	C2	D	E	F	C _V	lbs-in Nm	lbs kg
1/4 7.5	2.14 54.4	0.46 11.6	1.97 50	1.476 37.5	0.551 14	3.94 100	0.500 12.7	1.122 28.5	10	65 7.3	0.57 0.26
3/8 10	2.14 54.4	0.49 12.5	1.97 50	1.476 37.5	0.551 14	3.94 100	0.500 12.7	1.122 28.5	12	65 7.3	0.53 0.24
1/2 15	2.35 59.7	0.59 15	2.20 56	1.772 45	0.669 17	4.72 120	0.500 12.7	1.122 28.5	38	65 7.3	0.79 0.35
3/4 20	2.80 71	0.79 20	2.36 60	1.830 48	0.807 20.5	4.72 120	0.870 22.1	1.370 34.8	66	85 9.5	1.15 0.52
1 25	3.25 82.8	0.98 25	2.76 70	2.421 61.5	0.945 24	5.83 148	0.870 22.1	1.370 34.8	105	125 14.1	1.87 0.85
1 1/4 32.5	3.63 92.1	1.25 32	2.95 75	2.638 67	1.201 30.5	5.83 148	0.929 23.6	1.500 38.1	190	230 26.0	2.87 1.3
1 1/2 40	4.37 111	1.50 38	3.31 84	3.071 78	1.398 35.5	6.46 164	0.929 23.6	1.500 38.1	275	300 33.9	4.19 1.9
2 50	4.92 125	1.97 50	2.76 94	3.385 86	1.713 43.5	6.46 164	0.929 23.6	1.500 38.1	480	365 41.2	6.50 2.95
2 1/2 65	6.38 162	2.56 65	2.95 130	4.252 108	2.283 58	9.76 248	1.378 35	2.165 55	797	650 73.4	15.10 6.85
3 80	6.93 176	3.15 80	3.31 137	4.646 118	2.638 67	9.76 248	1.378 35	2.165 55	1210	765 86.4	20.50 9.3

Note: dual mounting pads for 2 1/2" and 3".



Flow-Tek

A Subsidiary of BRAY INTERNATIONAL, Inc.
11850 Tanner Road Houston, Texas 77041
832.912.2300 Fax: 832.912.2301
www.flow-tek.com

All statements, technical information, and recommendations in this bulletin are for general use only. Consult Flow-Tek representatives or factory for the specific requirements and material selection for your intended application. The right to change or modify product design or product without prior notice is reserved.