

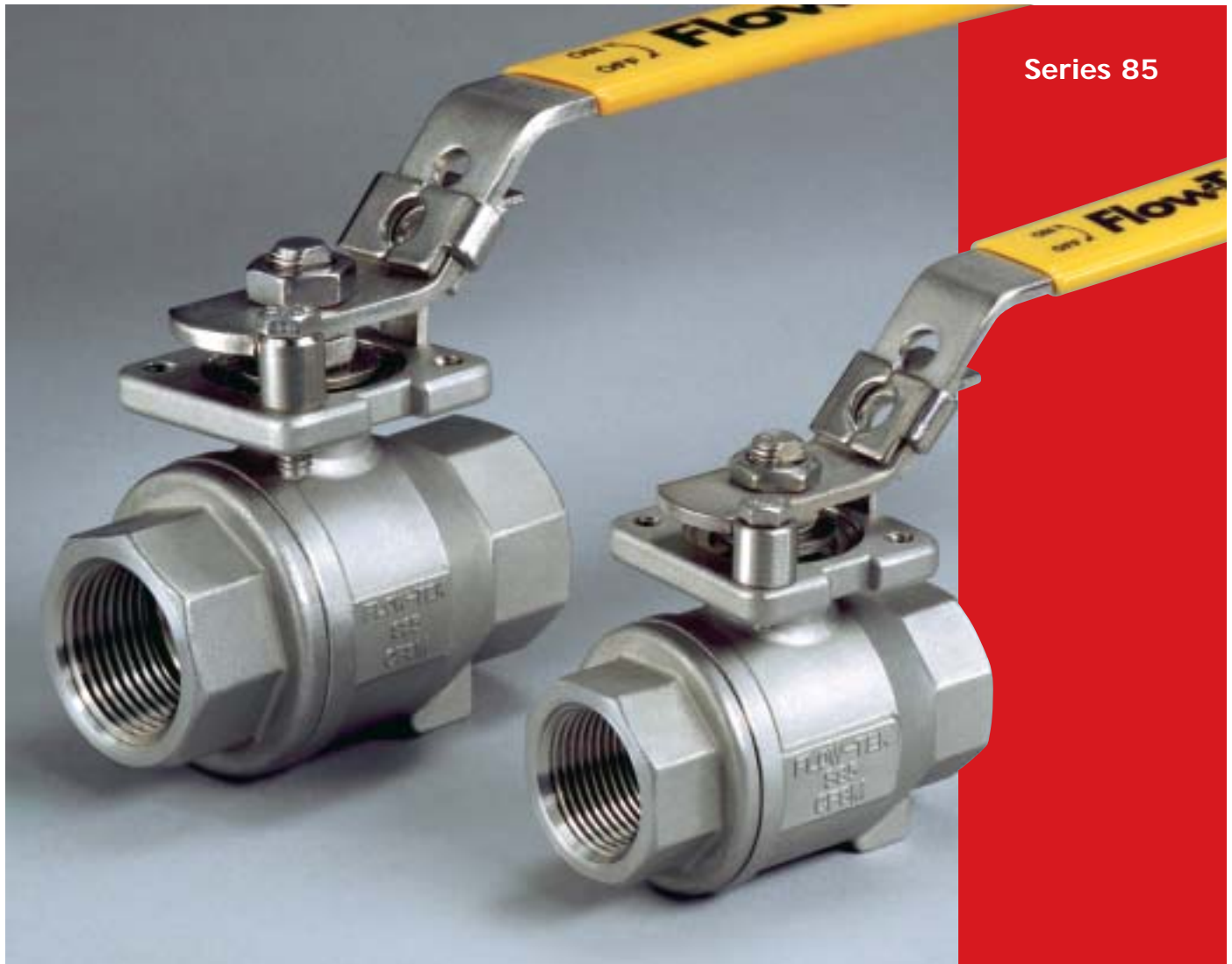
A
Bray
High
Performance
Company

Flow-Tek

A Subsidiary of BRAY INTERNATIONAL, Inc.

AUTHORISED DEALER:
PUSHKARNA SALES PVT LTD.
4772.HAUZ QAZI.DELHI-06.
TELEFAX:011-23216378.
EMAIL:sales@pushkarnasales.com
WEB:www.pushkarnasales.com

2 Piece Threaded Full Port Ball Valves: 1/2" - 3"



Flow-Tek's Series S85 ball valves have been designed for ease of automation. Standard 2-piece valve bodies are investment cast Stainless Steel, solution annealed for the highest quality and added strength. All body castings are marked with a foundry heat number for full traceability.

These valves offer quarter turn operation and low operating torque. The S85 features live-loaded, self-adjusting stem seals that automatically adjust packing to

compensate for changes in wear and temperature. Other features include replaceable seats and seals, anti-static devices, blowout proof stems, and stainless steel safety latch handles.

Secure Mount The Series S85 features Flow-Tek's Secure Mount integrally cast actuator mounting pad. The Secure Mount fully complies with ISO 5211, ensuring positive alignment and interchangeability of the actuator.

Pressure Rating 1000 psi WOG
150 psi Steam

Temperature Range
-50°F to +450°F
-46°C to +232°C

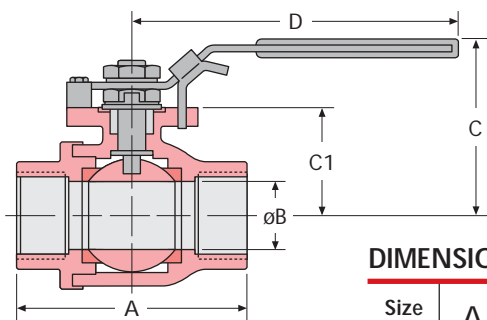
End Connections Threaded - NPT

Body Material Stainless Steel

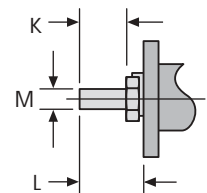
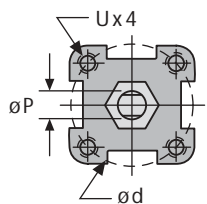
COMPONENTS AND MATERIALS

Item	Name	Material	Qty.
1	Body	ASTM A351 Gr CF8M	1
2	End Cap	ASTM A351 Gr CF8M	1
3	Ball	ASTM A351 Gr CF8M	1
4	Seat*	RPTFE	2
5	Stem	ASTM A479 Type 316	1
6	Body Seal*	RPTFE	1
10	Anti-Static Device	SS304	2
11 A/B	Thrust Bearing*	PEEK	1/1
12	Thrust Washer*	50% PTFE + 50% 316	1
14	Stem Packing*	PTFE/RPTFE	4
15	Packing Gland	SS304	1
18	Belleville Washer	SS301	2
19	Tab Lock Washer	SS304	1
23	Stop Set Sleeve	SS304	1
24	Stop Bolt	SS304	1
25	Handle	SS304	1
26	Nut	SS304	2
28	Handle Sleeve	Vinyl	1
29	Locking Device	SS300	1

*Parts included in the repair kits



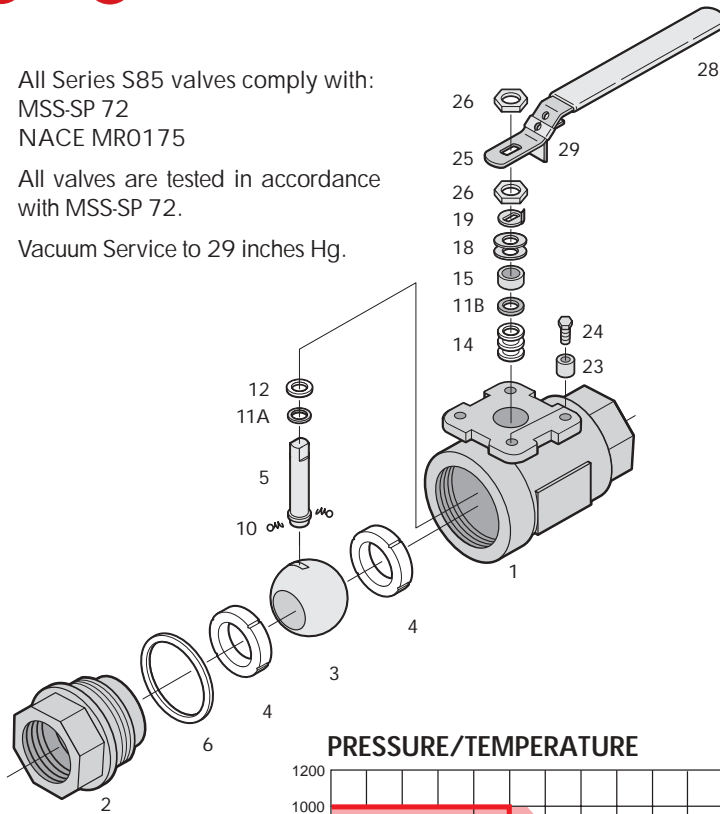
Verify mounting dimensions before manufacturing mounting hardware.



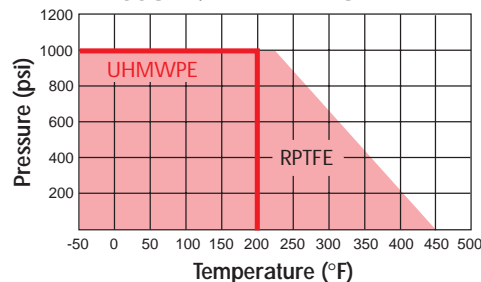
All Series S85 valves comply with:
MSS-SP 72
NACE MR0175

All valves are tested in accordance with MSS-SP 72.

Vacuum Service to 29 inches Hg.



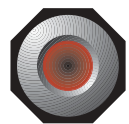
PRESSURE/TEMPERATURE



DIMENSIONS AND WEIGHTS

Size ins mm	A	øB Port	C	C1	D	ød	K	L	M	øP	U UNC	C _v	Torque Weight	
													lbs-in*	lbs kg
1/2 15	2.56 65	.59 15	2.52 64	1.128 28.7	6.50 165.1	1.654 42	0.354 9	0.65 16.5	0.25 6.4	0.37 9.4	#10-24	12	65 7.3	.65 0.3
3/4 20	2.99 76	0.79 20.1	2.80 71	1.398 35.5	6.50 165.1	1.654 42	0.354 9	0.65 16.5	0.25 6.4	0.37 9.4	#10-24	38	85 9.6	1.45 0.7
1 25	3.46 87.9	0.98 25	3.11 79	1.614 41	7.87 200	1.969 50	0.551 14	0.866 22	0.315 8	0.43 10.9	1/4"-20	66	125 14.1	2.36 1.1
1 1/4 32	3.82 97	1.26 32	3.66 93	2.163 54.95	7.87 200	1.969 50	0.551 14	0.787 20	0.315 8	0.43 10.9	1/4"-20	105	230 26.0	3.50 1.6
1 1/2 40	4.33 110	1.50 38.1	3.94 100.1	2.283 58	9.84 249.9	2.756 70	0.591 15	1.024 26	0.374 9.5	0.62 15.8	5/16"-18	190	300 33.9	4.85 2.2
2 50	5.28 134.1	2.00 50.8	4.25 108	2.598 66	9.84 249.9	2.756 70	0.591 15	1.024 26	0.374 9.5	0.62 15.8	5/16"-18	275	365 41.2	7.30 3.3
2 1/2 65	6.18 157	2.56 65	5.00 127	3.386 86	9.65 245.1	4.016 102	0.748 19	1.142 29	0.472 12	0.75 19.1	5/16"-18	480	650 73.4	13.5 6.1
3 80	7.52 191	2.99 76	5.71 145	3.937 100	5.98 151.9	4.016 102	0.88 22.4	1.28 32.5	0.469 11.9	0.75 19.1	5/16"-18	797	765 86.4	25.3 11.5

*Based on RPTFE seats at full rated pressure.



Flow-Tek

A Subsidiary of BRAY INTERNATIONAL, Inc.
11850 Tanner Road Houston, Texas 77041
832.912.2300 Fax: 832.912.2301
www.flow-tek.com

All statements, technical information, and recommendations in this bulletin are for general use only. Consult Flow-Tek representatives or factory for the specific requirements and material selection for your intended application. The right to change or modify product design or product without prior notice is reserved.