

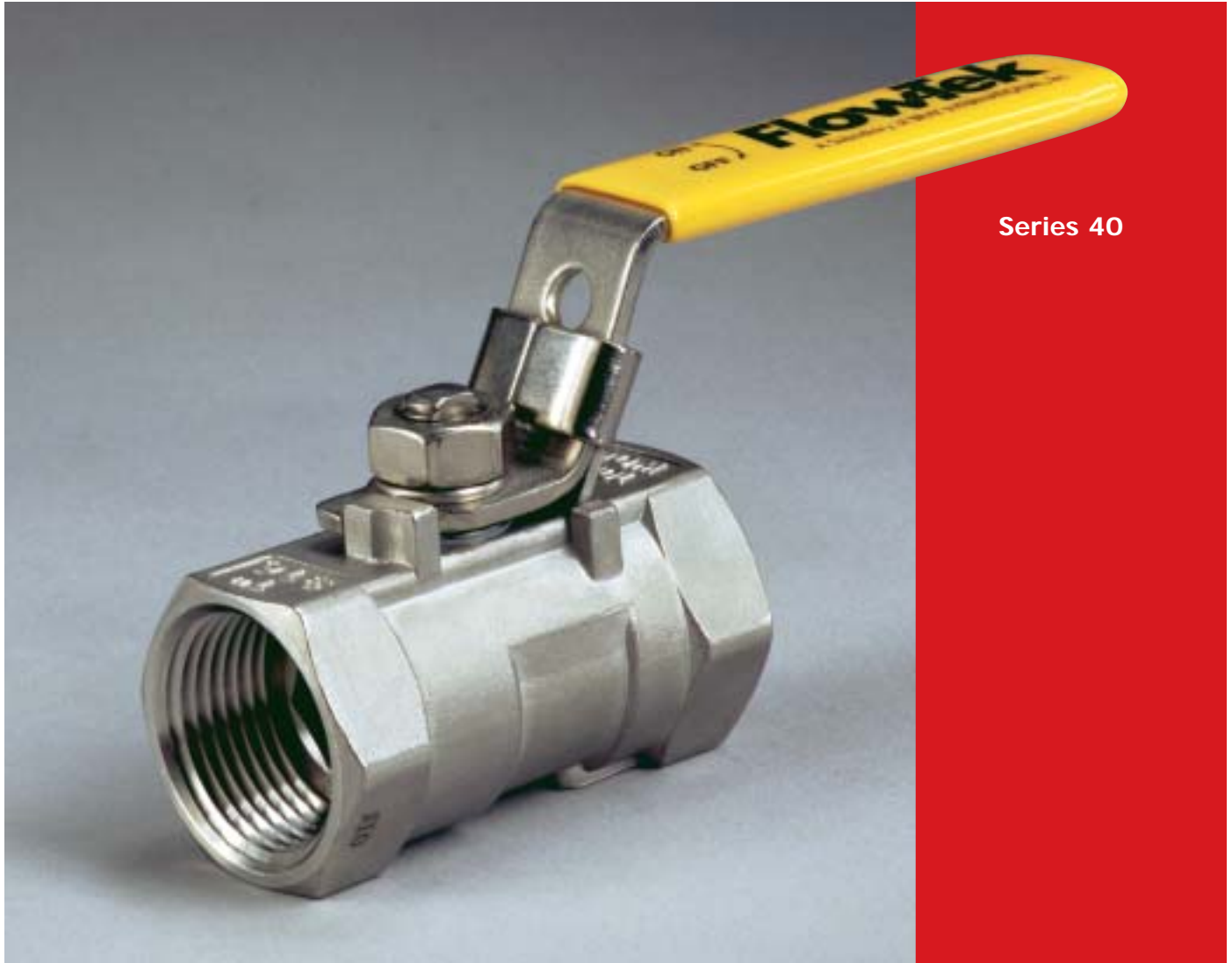
A
Bray
High
Performance
Company

Flow-Tek

A Subsidiary of BRAY INTERNATIONAL, Inc.

AUTHORISED DEALER;
PUSHKARNA SALES PVT LTD.
4772.HAUZ QAZI.DELHI-06.
TELEFAX:011-23216378.
EMAIL:sales@pushkarnasales.com

1 Piece Reduced Port Ball Valves: 1/4" - 2"



Series 40

Flow-Tek's Model S40 ball valves offer an economical compact, one piece body design. The one piece body supplies maximum structural strength while minimizing the number of potential leak paths. Model S40 valve bodies are high quality investment cast 316 Stainless Steel.

S40 valves feature quarter turn operation, bottom entry blowout proof stems and low operating torque.

A variety of handle designs, such as standard locking lever, optional oval and optional butterfly, are available for ease of operation or safety applications.

Pressure Rating 1000 psi WOG

Temperature Range

-50°F to +450°F

-46°C to +232°C

End Connections Threaded - NPT

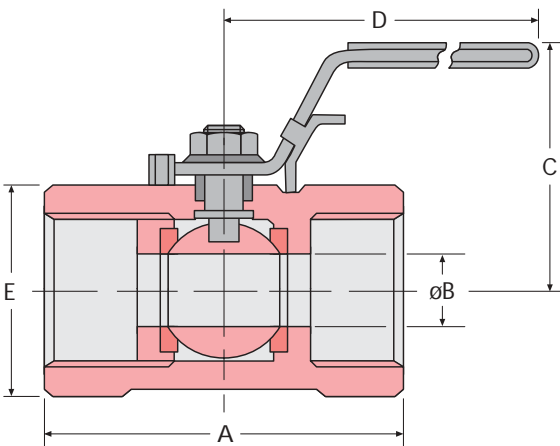
Body Material Stainless Steel

DIMENSIONS AND WEIGHTS

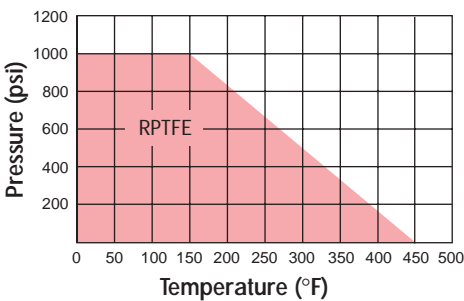
Size ins mm	A	ØB Port	C	D	E	Cv	Weight	
							lbs	kg
1/4 6	1.54 39	.197 5	1.34 34	2.72 69	.67 17	1.6	.15 .07	
3/8 10	1.73 44	.283 7.2	1.42 36	3.17 80.5	.83 21	3.1	.23 .10	
1/2 15	2.22 56.5	.362 9.2	1.77 45	3.94 100	.98 25	5.5	.4 .18	
3/4 20	2.32 59	.49 12.5	1.93 49	3.94 100	1.26 32	10	.60 .27	
1 25	2.80 71	.59 15	1.97 50	4.13 105	1.5 38	15.5	.93 .42	
1 1/4 32	3.07 78	.79 20	2.09 53	4.13 105	1.89 48	20	1.54 .7	
1 1/2 40	3.23 82	.98 25	2.52 64	5.31 135	2.09 33	37	1.86 .84	
2 50	3.94 100	1.26 32	2.76 70	5.31 135	2.52 64	60	2.98 1.35	

COMPONENTS AND MATERIALS

Item	Name	Material	Qty.
1	Body	ASTM A351 Gr CF8M	1
2	Body Insert	ASTM A351 Gr CF8M	1
3	Ball	ASTMA479 Type 316	1
4A	Seat	RPTFE	1
4B	Seat	RPTFE	1
5	Stem	ASTM A479 Type 316	1
7	Spring Washer	SS301	1
12	Thrust Washer	RPTFE	1
14	Stem Packing	RPTFE	1
25	Handle	SS304	1
26	Handle Nut	SS304	1
28	Handle Sleeve	Vinyl	1
29	Locking Device	SS304	1
41	Spacer Washers	SS304	2



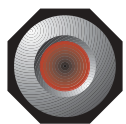
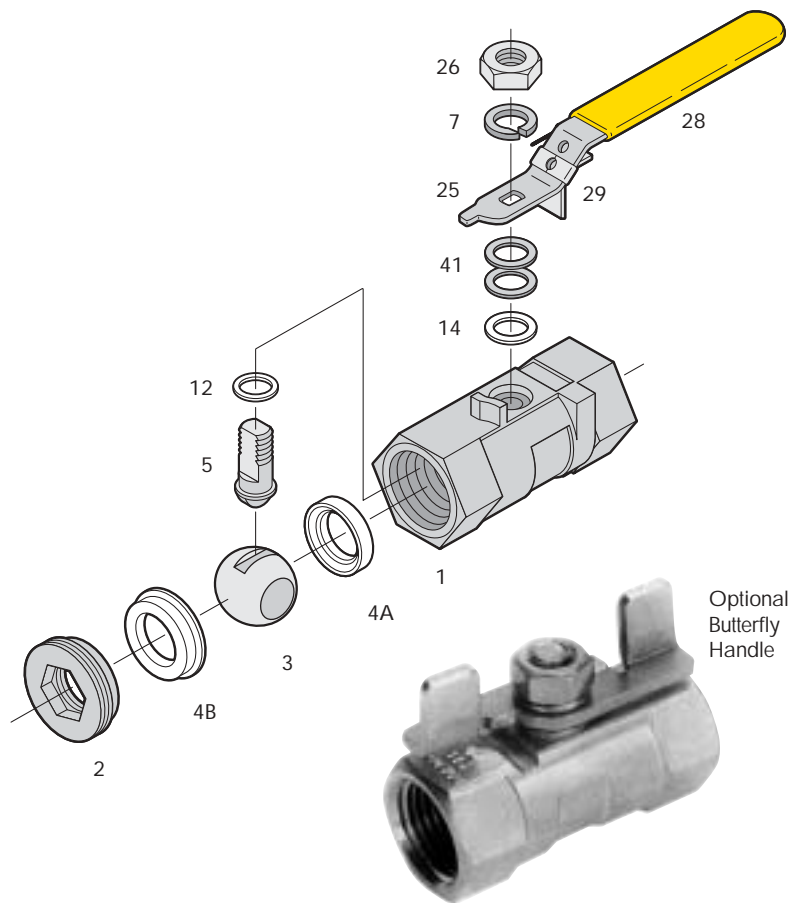
PRESSURE/TEMPERATURE



TESTING

All valves are tested in accordance with MSS-SP72.

Threaded End Connections meet ASME/ANSI B1.20.1 NPT.



Flow-Tek

A Subsidiary of BRAY INTERNATIONAL, Inc.
 11850 Tanner Road Houston, Texas 77041
 832.912.2300 Fax: 832.912.2301
 www.flow-tek.com

All statements, technical information, and recommendations in this bulletin are for general use only. Consult Flow-Tek representatives or factory for the specific requirements and material selection for your intended application. The right to change or modify product design or product without prior notice is reserved.