

Flow-Tek

A Subsidiary of BRAY INTERNATIONAL, Inc.

AUTHORISED DEALER;
PUSHKARNA SALES PVT LTD.
4772.HAUZ QAZI.DELHI-06.
TELEFAX:011-23216378.
EMAIL:sales@pushkarnasales.com
WEB:www.pushkarnasales.com

**2 Piece Full Port
Ball Valves, 1", 2", 3"**
Ideal For Transport Applications



Railroad Series

Model S85RR
Model FS85RR

Flow-Tek's Railroad Series ball valves have been designed to meet the needs of transport applications. To meet the limited space requirements, the valves feature a compact, two piece body that allows for ease of maintenance even in constricted areas. The body is tapped and bolted with locking fasteners to preserve valve joint integrity under severe vibration. High quality, investment cast Stainless Steel and Carbon Steel bodies are available.

Safety features include internally loaded blow-out proof stems and trigger handles that prevent accidental movement of ball position. Other features of the Railroad Series are valve travel limit stops, replaceable seats and seals, and live-loaded, self-adjusting stem seals which automatically adjust packing for changes in temperature and wear.

The integrally cast actuator mounting flange meets ISO 5211 specifications.

Pressure Ratings

1" & 2": 800 psi WOG
3": 1500 psi WOG

End Connections: Threaded

Fire Safe: Model FS85RR
3" valves are fire safe to API 607, 4th Edition standards.

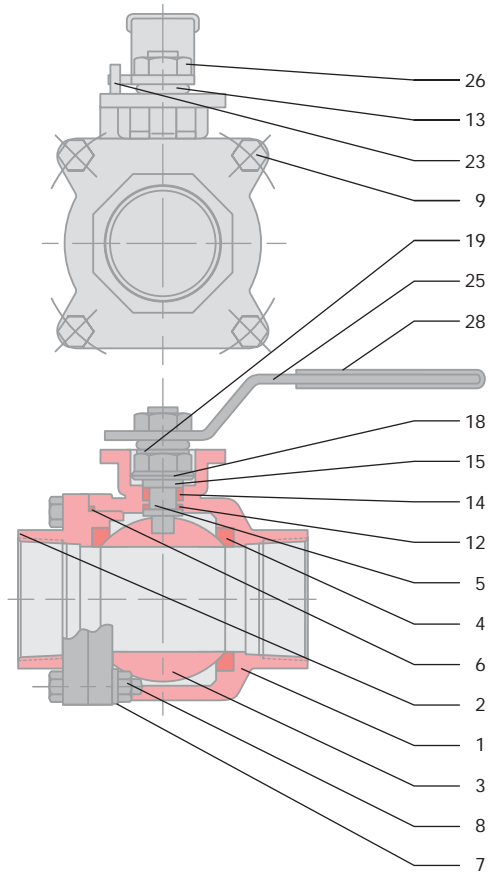
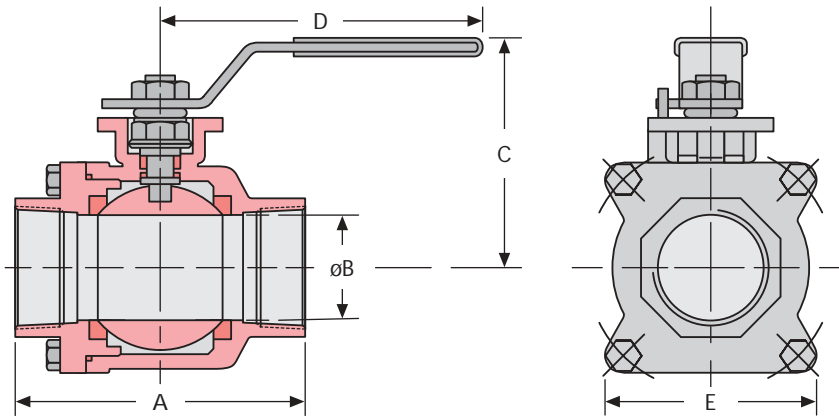


Technical Data

COMPONENTS AND MATERIALS

Item	Name	Stainless Steel	Carbon Steel	Qty.
1	Body	ASTM A351 Gr. CF8M	ASTM A216 Gr. WCB	1
2	End Cap	ASTM A351 Gr. CF8M	ASTM A351 Gr. CF8M	1
3	Ball	ASTM A351 Gr. CF8M	ASTM A351 Gr. CF8M	1
4	Seat	RPTFE	RPTFE	2
5	Stem	ASTM A479 Type 316	ASTM A479 Type 316	1
6	Body Seal	RPTFE	RPTFE	1
7	Spring Washer	SS304	SS304	1
8	Body Nut	SS304	SS304	4*
9	Body Bolt	SS304	SS304	4*
12	Thrust Washer	RPTFE	RPTFE	1
13	Spacer	SS304	SS304	1
14	Stem Packing	RPTFE	RPTFE	1
15	Packing Follower	SS304	Carbon Steel	1
18	Belleville Washer	S.S. 17-7H	Carbon Steel	2
19	Lock Washer	SS304	SS304	1
23	Stop Pin	SS300	Carbon Steel	1
25	Handle	SS304	SS304	1
26	Lock Nut	SS304	SS304	2
28	Handle Sleeve	Vinyl	Vinyl	1

*3" FS85-RR has 6



Specifications

- Federal Specifications WW-V-35B Type II, Class C, Style 3
- 3" Valves: API 607, 4th Edition

Pressure Ratings

- 1" & 2" Valves: 800 psi WOG
- 3" Valves: 1500 psi WOG

Temperature Range -20° F to 400° F

Testing

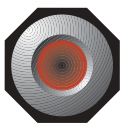
All valves are factory tested in accordance with MSS-SP72 at 80-100 psi air under water before shipping.

Body shells are additionally tested to the following:

- Shell: 1" & 2" Valves: 1200 psi
- 3" Valves: 2250 psi

Model S85-RR	DIMENSIONS					Torque		Weight
Size ins mm	A	øB	C	D**	E	Cv	in.-lbs. Nm	lbs. kg.
1 6	3.54 90.0	0.99 25.0	3.19 81.0	5.24 133	3.23 82.0	65	130 14.7	2.70 1.2
2 10	5.51 140	2.00 50.8	4.21 107	7.36 187	4.07 104	320	370 42	3.98 1.8
3 15	7.85 200	2.99 76.0	5.67 144	12.0 305	7.91 201	650	950 107	32.0 14.5

**Special length handles to comply with railroad specifications are available, consult factory.



Flow-Tek

A Subsidiary of BRAY INTERNATIONAL, Inc.
11850 Tanner Road Houston, Texas 77041
832.912.2300 Fax: 832.912.2301
www.flow-tek.com

All statements, technical information, and recommendations in this bulletin are for general use only. Consult Flow-Tek representatives or factory for the specific requirements and material selection for your intended application. The right to change or modify product design or product without prior notice is reserved.