

Forbes Marshall Safety Relief Valve

Description

The Forbes Marshall Safety Relief Valve FMSRV is a high lift safety valve with gun metal seat, valve and body and brass internals suitable for use on steam, air and water.

Size and Pipe Connections

DN 15

Screwed BSPT

Note : Available with IBR certificate

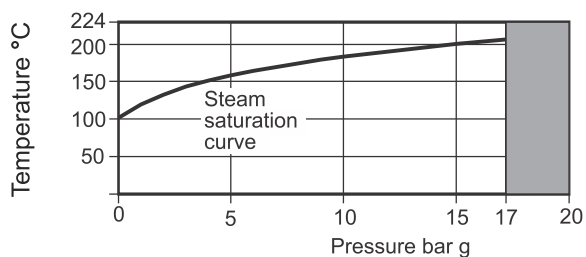
For following set pressure ranges 5 colour coded springs are available

00 to 15 psi	White
15 to 35 psi	Yellow
35 to 75 psi	Green
75 to 125 psi	Blue
125 to 250 psi	Red

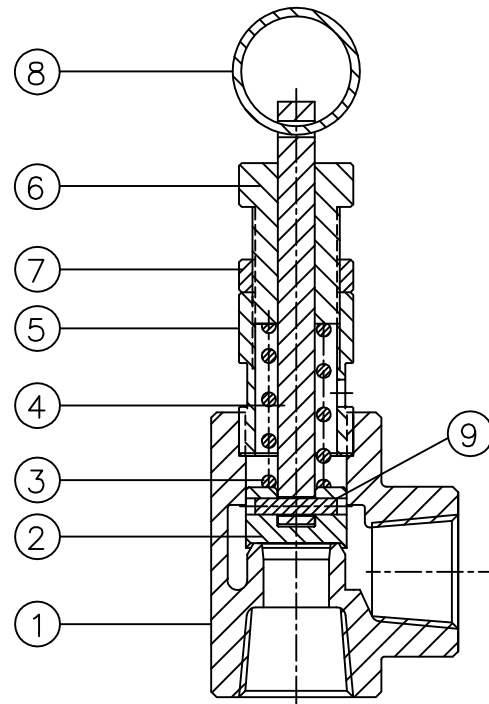
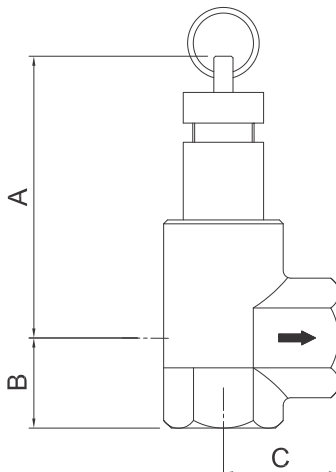
Limiting Conditions

Minimum blow off pressure	0.34 bar g
Maximum blow off pressure	17.3 bar g

Operating Range



 The product **must not** be used in this region.



Materials

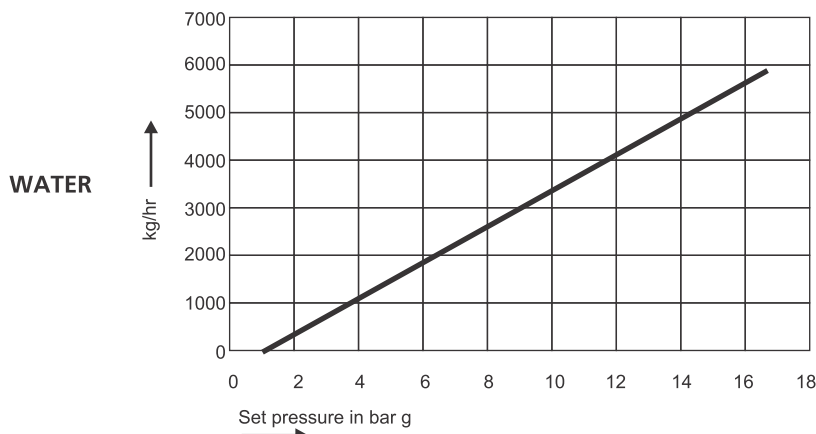
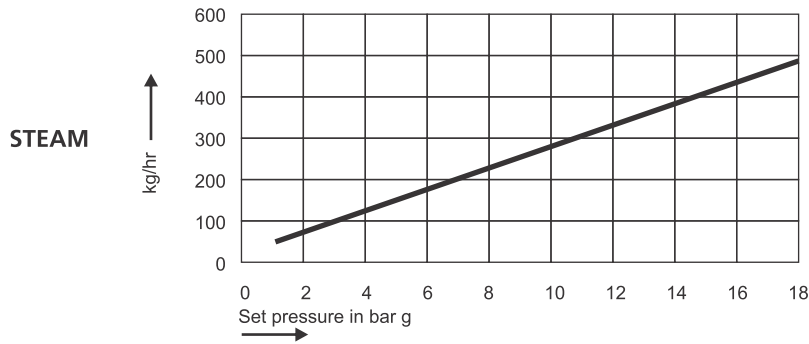
Sr. No.	Part	Material	Standard
1	Body	G.M	BS 1400
2	Valve Head	G.M,	BS 1440 LG 2
3	Spring	Spring Steel	I.S. 4454 part IV
4	Spindle	Brass	I.S.4170
5	Bonnet	Brass	I.S.4170
6	Adjustment Cap	Brass	I.S.4170
7	Lock Nut	Brass	I.S.4170
8	Ring	C 20	I.S.2062
9	Dowel Pin	SS 304	ASTM A 276

Dimensions: (approx.) in mm

Size (DN)	A	B	C	Weight (kg)
15	87	23	30	0.42

Authorised Dealer;
Pushkarna Sales Pvt Ltd.
4772. Hauz Qazi. Delhi-06.
Telefax : 011-23216378/23217239.
Email : sales@pushkarnasales.com
Web : www.pushkarnasales.com
KSB, FORBES MARSHALL, BRAY,
VAAS Valves & Automation.

Discharge capacities with 10% accumulation above the set pressure for various fluids shown below



Installation

The safety valve should always be fitted with the centre line of the spring housing vertically above the valve. If the discharge pipe is not self-draining then a separate drain pipe with continuous fall should be provided.

The outlet from the safety valve should be arranged to discharge to a safe place where it is visible but cannot cause damage or injury to persons.

These valves are not suitable for mounting on boilers.

How to Order

Example: Forbes Marshall Safety Valve, FMSRV , DN15 with BSPT ends and a set pressure of 6 bar g.

Note : available with IBR certificates

Available Spares

- Valve Head and Spindle Kit
- Spring Kit

How to Order Spares

Always order spares by using the description given in the column headed available spares. For codes refer user manual.



Forbes Marshall
 B-85, Phase II, Chakan Industrial Area
 Sawardari, Chakan
 Tal. Khed, Dist. Pune 410501. INDIA.
 Tel : +91 02135 393400

Forbes Marshall Steam Systems Pvt. Ltd.
(Formerly Spirax Marshall Pvt. Ltd.)
 Regd Office: Opp 106th Milestone
 Bombay Poona Road, Kasarwadi,
 Pune 411 034. INDIA.
 Tel.: 91(0)20-27145595, 39858555
 CIN No : U27109PN1959PTC01 1334

