

## Forbes Marshall Tracer Line Trap / Forbes Marshall Air Vent

### Description

The Forbes Marshall Tracer Line Trap FMTLT53 / Air Vent FMAV53 can be used for air venting application from steam mainlines or as a steam trap for tracer line application for removal of sub cooled condensate. It comes with an inbuilt flat strainer screen having 0.8 mm diameter perforations.

### Size and End Connections

DN 15 and DN 20

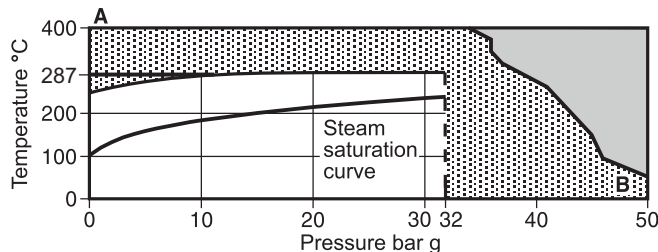
Screwed BSPT/NPT, socket weldable ends

**Note :** Available with IBR certificate on request

### Limiting Conditions

PMA-Max allowable pressure	50 bar g @ 50 °C
TMA-Max allowable temperature	400 °C @ 35 bar g
PMO-Max operating pressure	32 barg
TMO-Max operating temperature	287 °C
Cold hydraulic test pressure	64 bar g

### Operating Range



**A - B** Screwed & Socket Weld Ends

The product **must not** be used in this region.  
 The product should not be used in this region or beyond its operating range as damage to the internals may occur.

### Thermopod Filling for FMTLT53

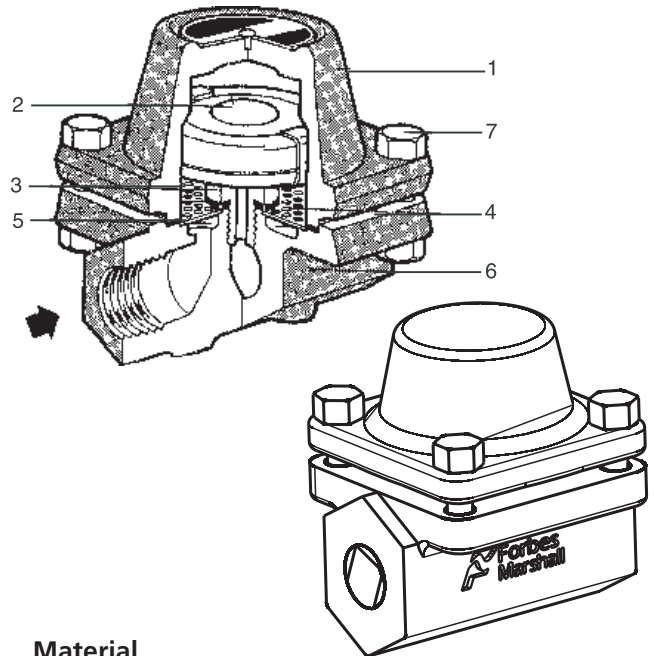
As a standard, the FMTLT53 trap is supplied with filling 'U', which will operate approximately 24 °C below steam saturation temperature. As an optional alternative, the trap can be supplied with filling 'T', which will operate approximately 12 °C below steam saturation temperature or filling 'C', which will operate approximately 6 °C below the steam saturation curve.

**Note:** If the alternative thermopod is required this must be clearly stated in the order e.g. thermopod to have 'U' fill or 'T' fill.

### Thermopod Filling for FMAV53

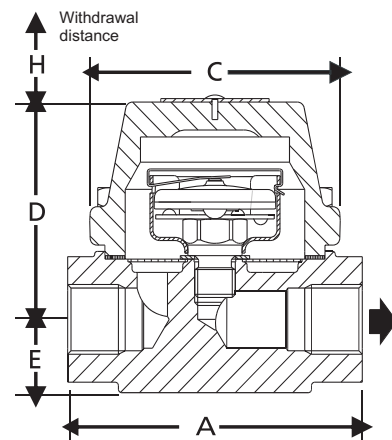
As a standard the FMAV53 is supplied with filling 'U'.

**Authorised Dealer;**  
 Pushkarna Sales Pvt Ltd.  
 4772, Hauz Qazi, Delhi-06.  
 Telefax : 011-23216378/23217239.  
 Email : sales@pushkarnasales.com  
 Web : www.pushkarnasales.com  
 KSB, FORBES MARSHALL, BRAY,  
 VAAS Valves & Automation.



### Material

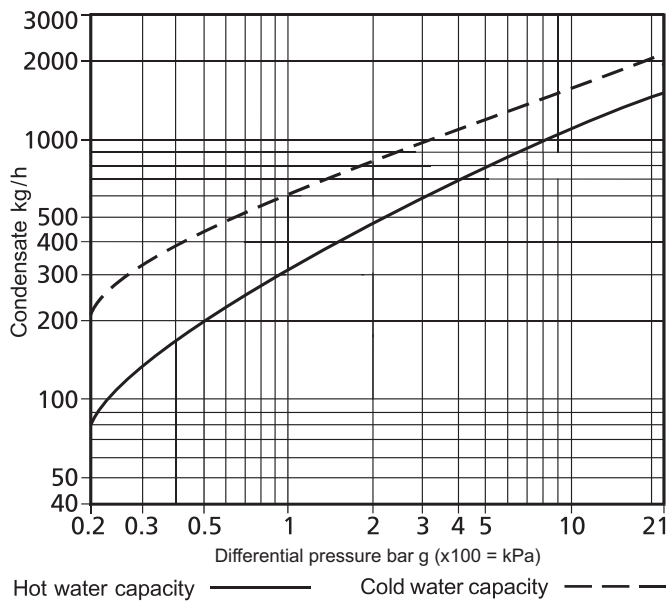
No	Part	Material	Standard
1	Cover	Forged Carbon Steel	ASTM A105
2	Thermopod	Stainless Steel	AISI 304
3	Valve Seat	St. Steel Type 316	ASTM A276
4	Strainer Screen	St. Steel Type 304	ASTM A240
5	Cover Gasket	Reinforced Exfoliated Graphite	
6	Body	Forged Carbon Steel	ASTM A105
7	Cover Bolts and Nuts	Carbon Steel H.T	IS 1367



### Dimensions (approx.in mm)

Size (DN)	A	C	D	E	H	Weight (kg)
15	92	80	70	26	40	2
20	92	80	70	26	40	2

## Capacity Chart



## How to Order

**Example :** Forbes Marshall Tracer Line Trap DN15 FMTLT53 having screwed BSPT connections with Thermopod 'U' filling.

Or

Forbes Marshall Air Vent DN15 FMAV53 having screwed BSPT connections.

## Installation

### FMTLT53 (Steam Application)

The FMTLT53 can be installed in any position - horizontal or vertical. It is recommended that a non-return valve is fitted when discharging condensate into return lines where back pressure is experienced.

It is also recommended that a diffuser is fitted when discharging to atmosphere.

### FMAV53 (Air Application)

The FMAV53 is designed for installation with the thermopod in a horizontal plane with the cover at the top.

The FMAV53 should be positioned at the highest point of the steam main or plant where the air collects. The outlet should be piped to a safe place

For ease of maintenance, consideration should be given to fitting isolation valves upstream and downstream of the FMTLT53 / FMAV53.

## Safety Information, Installation and Maintenance

For full details see the user manual supplied with the product.

## Recommended Tightening Torques

Part	Torque (Nm)
M8 BOLT	25-35

## Available Spares

The spare parts available are shown in heavy outline. Parts drawn in broken lines are not supplied as spares.

Available Spares	
Thermopod and Seat Assembly set 'T' (State Thermopod filling - 'U' Fill or 'T' fill)	A
Strainer screen and Gasket Kit	B,C

## How to Order Spares

Always order spares by using the description given in the column above, headed "Available Spares", and stating the size and type of steam trap. For codes refer user manual.

Example.1 Thermopod and seat assembly set for DN 15 FMTLT53 Steam Trap 'U' fill.

