

A
Bray
High
Performance
Company

Flow-Tek

A Subsidiary of BRAY INTERNATIONAL, Inc.

AUTHORISED DEALER;
PUSHKARNA SALES PVT LTD.
4772.HAUZ QAZI.DELHI-06.
TELEFAX:011-23216378.
EMAIL:sales@pushkarnasales.com
WEB:www.pushkarnasales.com

3 & 4 Way Multiport Ball Valves Standard & Full Port, 1/4" - 12"

MPT130



MPT230



MPF150



Multiport Series

Models MPT130
MPC130

Models MPT230
MPC230
MPT240
MPC240

Models MPF150
MPF300

Flow-Tek introduces the new, fully integrated line of multiport ball valves – the Multiport Series. Offering 3 way and 4 way flow control, the Multiport Series valves are available in two different body styles, a compact standard port and a block style full port. Standard port valves are available with NPT Threaded and Quick Clamp end connections. Full port valves are available with NPT Threaded, Quick Clamp and Flanged end connections. Many parts are fully **interchangeable** between models.

Cost effective Multiport Series ball valves feature bidirectional control combined with shutoff capacity in one valve. Valve duplication and the need for an extra shutoff valve are eliminated.

Standard Applications

- Mixing or blending of line medias
- Diversion of flow to different locations
- Bypass of flow around strainers, meters, heat exchangers, etc.
- Direct flow out-of or into storage tanks
- Shutoff flow from different directions

Pressure Ratings:

MPT130/MPC130
1/4"– 1 1/4": 1000 psi
1 1/2"– 2": 800 psi
MPT230/MPC230
MPT240/MPC240
1/4"– 1": 1000 psi
1 1/4"– 4": 800 psi
MPF150: ANSI Class 150
MPF300: ANSI Class 300

Body Materials:

Stainless Steel and Carbon Steel



Stem Seals Multiport Series 1/4"–4" valves all feature a live-loaded stem packing assembly for positive sealing. Utilizing belleville washers, the stem seal automatically adjusts to compensate for changes in temperature and normal wear. The 6"–12" valves utilize an independent packing gland which can be easily adjusted while the valve is still in service. The 1/4"–2" valves also offer primary and secondary stem sealing. The primary seal is a thrust washer and O-ring assembly. The adjustable stem packing creates a secondary seal between the stem and body in the upper stem journal area.

Four Seat Design As standard Multiport Series valves are supplied with an additional fourth seat. This seat acts as a self-contained seal to prevent leakage in the cavity area and maintains proper alignment of the ball. The added seat delivers bidirectional control and shutoff combined in one valve – with an OFF position in both T and L port balls. Flow-Tek's seat design ensures bi-directional, bubble-tight sealing with low operating torque.



Secure Mount The integrally cast top flange ensures positive actuator mounting. Actuation equipment can be easily and safely removed while the valve is under full line pressure. The mounting flange is designed to ISO 5211 standards with direct flush-mount capabilities. By repositioning the travel stop pin bolt on the mounting flange, all flow patterns are available from the standard valve.



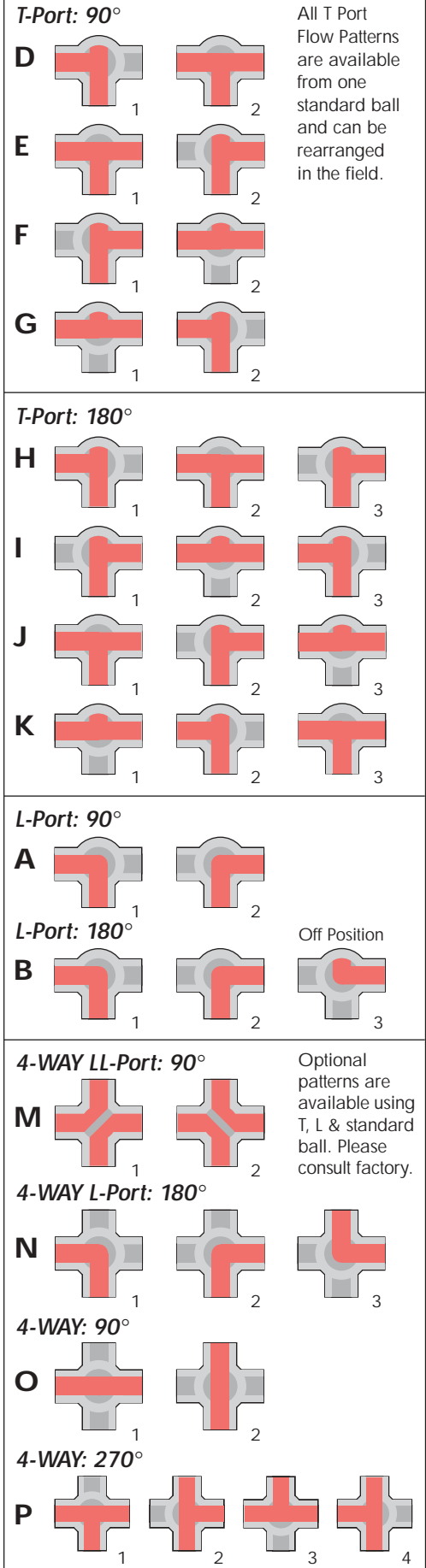
Ball/Stem: The ball and stem connection is designed to ensure a positive connection. 1/4"–2" valve stems are pinned, 2 1/2"–12" stems and balls are one-piece with trunion mounting. All stems offer blow-out proof protection. Balls are precision machined and mirror finished for bubble-tight shutoff with less operating torque. Flow-Tek balls have machined edges to reduce seat wear and provide a high cycle life.

Interchangeability Many parts including balls, stems, seats, and stem and body seals are interchangeable between different models of the same size valve.

Cavity Fillers Optional cavity fillers are available for Multiport models 230/240 and 150/300 valves. Cavity fillers reduce the possibility of media contamination due to line media fluids becoming entrapped in the void between the ball and the valve body wall.

Seat Selection A wide range of seat materials are available to meet most applications. The standard seat is PTFE. Options include RPTFE and Tek-Fil® (carbon/graphite filled TFM). Tek-Fil seats offer reduced torque in high temperature, high cycle, and steam service applications.

Features



Specifications

All Multiport Series Valves:

Tested in accordance with ASME/ANSI B16.34.

Vacuum Service to 29 inches Hg.

Valve stems are blow-out proof for maximum safety and meet ASME/ANSI B16.34 specifications.

Specifications

Models MPT130/MPC130

Model MPT130: Threaded NPT Ends

Model MPC130: Quick Clamp Ends

3 Way with L and T Ports

Ports: Standard

Size Range: 1/4" – 2"

Body Material: Stainless Steel

Pressure Ratings:

1/4" – 1-1/4": 1000 psi WOG

1-1/2" – 2": 800 psi WOG

1/4" – 2": 150 psi WSP

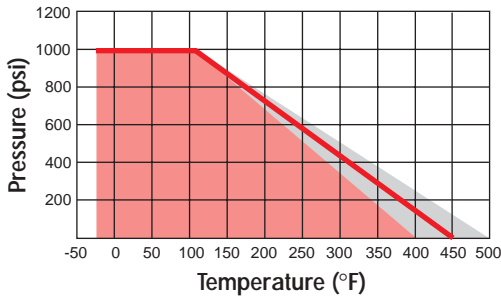
Model MPT130 Threaded end connections meet ASME/ANSI B1.20.1 NPT.

All valve stems and seats are tested to 100 psi gas closure test for bubble tight integrity before shipping.

Pressure / Temperature

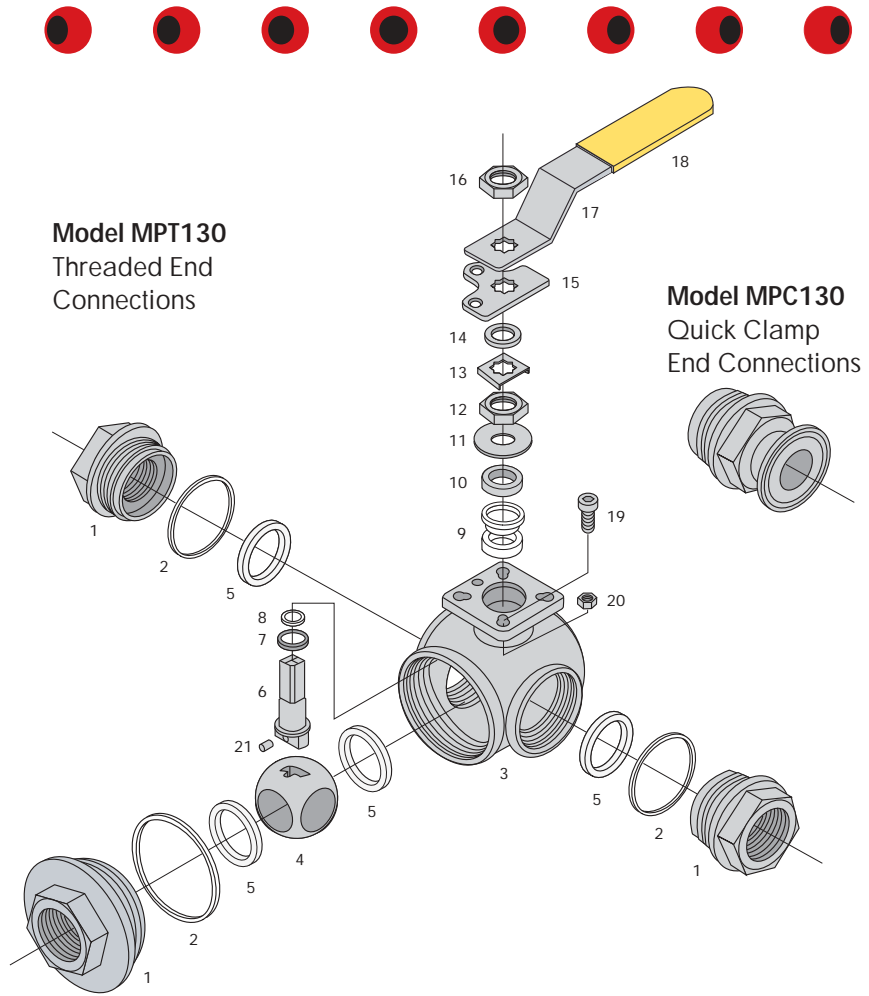
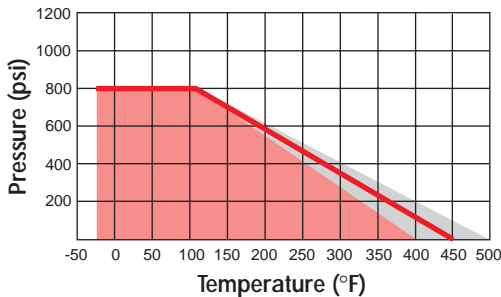
MPT130/MPC130 Series Valves

1/4" – 1 1/4" Valves



PTFE Tek-Fil
RPTFE

1 1/2" – 2" Valves



Components & Materials Models MPT130/MPC130

Item	Name	Stainless Steel	Qty.
1	End Cap	ASTM A351 Gr. CF8M	3
2	Gasket	PTFE	3
3	Body	ASTM A351 Gr. CF8M	1
4	Ball*	ASTM A276 Type 316	1
5	Seat*	PTFE	4
6	Stem*	316 SS	1
7	Thrust Washer*	RPTFE	1
8	O-ring*	Viton	1
9	Stem Packing*	PTFE	1
10	Gland	304 SS	1
11	Belleville Washer	301 SS	2
12	Stem Nut	304 SS	1
13	Lock Saddle	304 SS	1
14	Space Washer	304 SS	1
15	Stop Plate	304 SS	1
16	Handle Nut	304 SS	1
17	Handle	304 SS	1
18	Handle Sleeve	Vinyl	1
19	Stop Pin Bolt	304 SS	1
20	Stop Pin Nut	304 SS	1
21	Pin Insert	304 SS	1

*These parts are interchangeable with other Multiport models.

Specifications

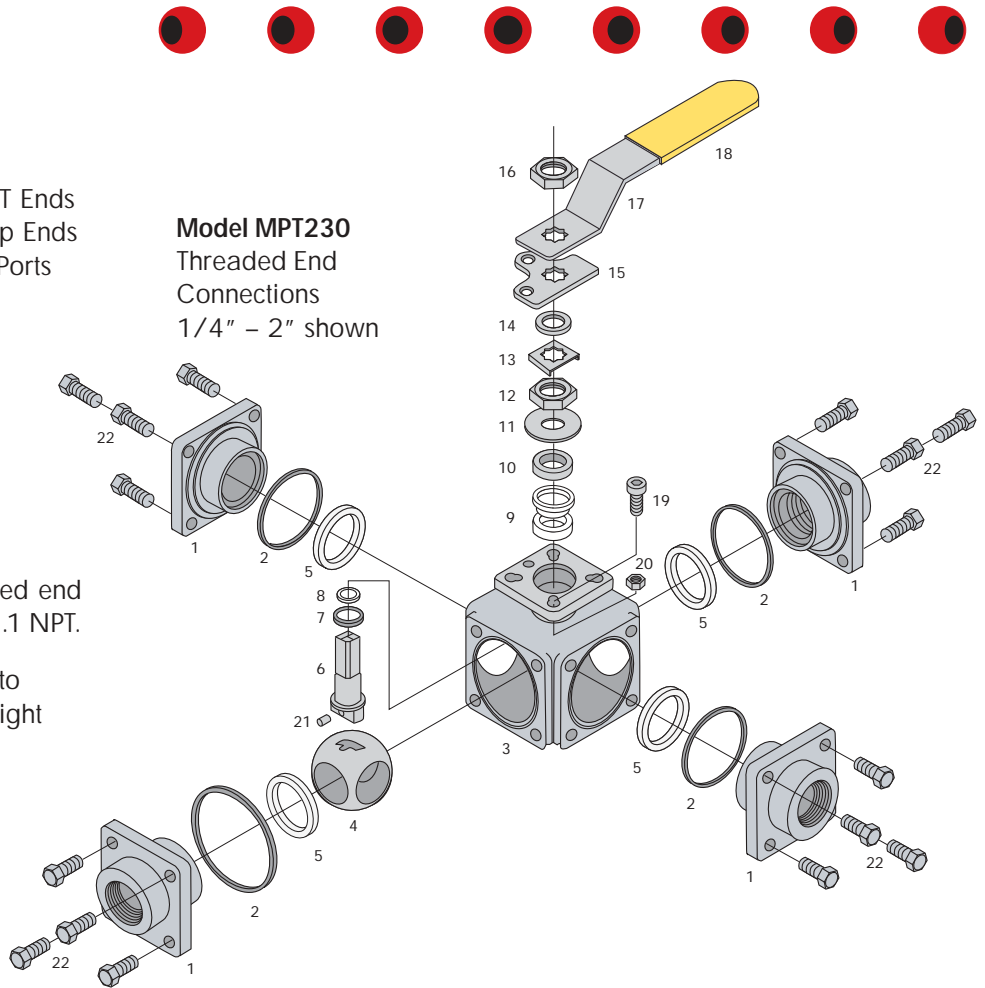
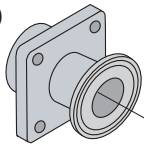
Models MPT230/MPC230 - 3 Way
 Models MPT240/MPC240 - 4 Way

Models MPT230/240: Threaded NPT Ends
 Models MPC230/240: Quick Clamp Ends
 3 Way and 4 Way with L, T and LL Ports
 Ports: Full
 Size Range: 1/4" – 4"
 Body Materials: Stainless Steel
 Carbon Steel
 Pressure Ratings
 1/4" – 1-1/4": 1000 psi WOG
 1-1/2" – 4": 800 psi WOG
 1/4" – 4": 150 psi WSP

Models MPT230 & MPT240 Threaded end connections meet ASME/ANSI B1.20.1 NPT.

All valve stems and seats are tested to 100 psi gas closure test for bubble tight integrity before shipping.

Model MPC230/240
 Quick Clamp
 End Connections

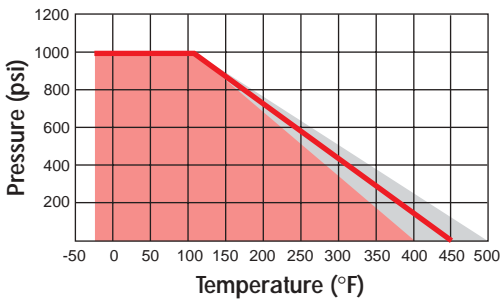


Model MPT230
 Threaded End
 Connections
 1/4" – 2" shown

Pressure/Temperature

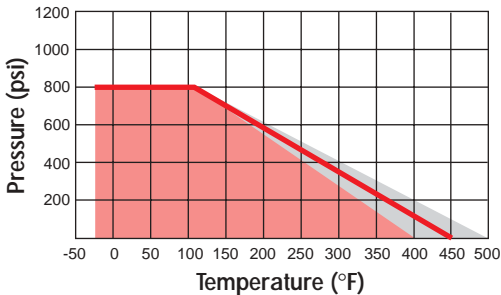
MPT230/MPC230/MPT240/MPC240
 Series Valves

1/4" – 1 1/4" Valves



PTFE Tek-Fil
 RPTFE

1 1/2" – 4" Valves



Components & Materials MPT230/240 & MPC230/240

Item	Name	Stainless Steel	Carbon Steel	Qty.
1	End Cap	ASTM A351 Gr. CF8M	ASTM A216 Gr. WCB	4
2	Gasket**	PTFE	PTFE	4
3	Body	ASTM A351 Gr. CF8M	ASTM A216 Gr. WCB	1
4	Ball*	ASTM A351 Gr. CF8M	ASTM A351 Gr. CF8M	1
5	Seat*	PTFE	PTFE	4
6	Stem*	316 SS	316 SS	1
7	Thrust Washer*	RPTFE	RPTFE	1
8	O-ring*	Viton	Viton	1
9	Stem Packing*	PTFE	PTFE	1
10	Gland	304 SS	304 SS	1
11	Belleville Washer	301 SS	301 SS	2
12	Stem Nut	304 SS	304 SS	1
13	Lock Saddle	304 SS	304 SS	1
14	Space Washer	304 SS	304 SS	1
15	Stop Plate	304 SS	304 SS	1
16	Handle Nut	304 SS	304 SS	1
17	Handle	304 SS	304 SS	1
18	Handle Sleeve	Vinyl	Vinyl	1
19	Stop Pin Bolt	304 SS	304 SS	1
20	Stop Pin Nut	304 SS	304 SS	1
21	Pin Insert	304 SS	304 SS	1
22	Bolt	ASTM A193 Gr. B8	ASTM A193 Gr. B8	16

*These parts are interchangeable with other Multiport models.

**These parts are interchangeable with MPF150/300 models.

Specifications

Model MPF150 ANSI Class 150
 Model MPF300 ANSI Class 300

Models MPF150/MPF300 Flanged Ends
 3 Way and 4 Way with L, T & LL Ports
 Ports: Full

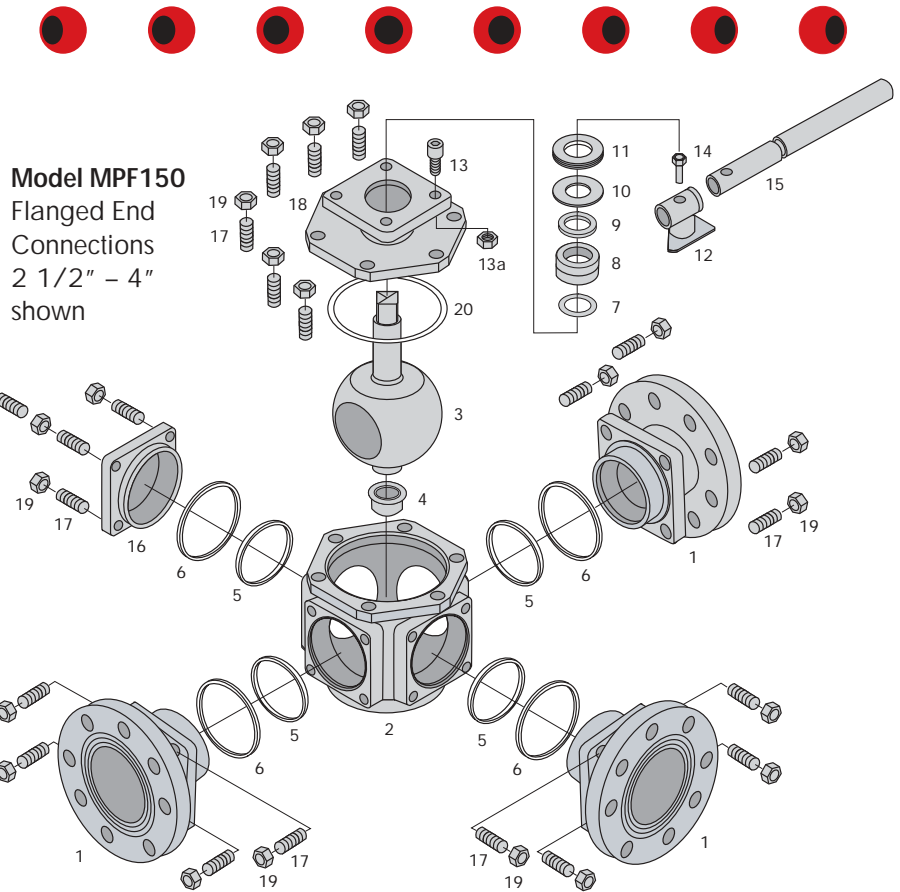
Size Ranges: MPF150: 1/2" – 8"
 MPF300: 1/2" – 6"

Body Materials: Stainless Steel
 Carbon Steel

Pressure Ratings
 ANSI Class 150: SS 275 / WCB 285 psi
 ANSI Class 300: SS 720 / WCB 740 psi

Flanged end connections meet
 ASME/ANSI B16.5.

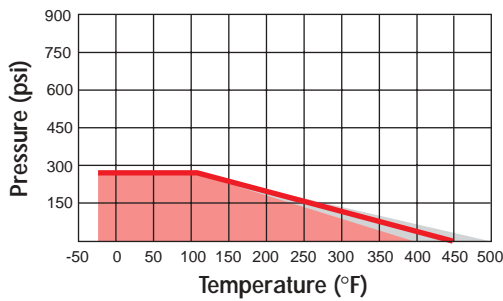
All valve stems and seats are tested to
 100 psi gas closure test for bubble tight
 integrity before shipping.



Pressure / Temperature

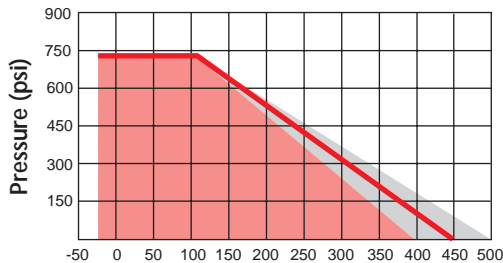
MPF150/MPF300 Series Valves

ANSI Class 150 Valves



PTFE Tek-Fil
 RPTFE

ANSI Class 300 Valves



Components & Materials Models MPF150/MPF300

Item	Name	Stainless Steel	Carbon Steel	Qty.
1	End Cap	ASTM A351 Gr. CF8M	ASTM A216 Gr. WCB	3
2	Body	ASTM A351 Gr. CF8M	ASTM A216 Gr. WCB	1
3	Ball & Stem**	ASTM A351 Gr. CF8M	ASTM A351 Gr. CF8M	1
4	Stem Bushing**	50% PTFE/50% 316SS	50% PTFE/50% 316SS	1
5	Seat*	PTFE	PTFE	4
6	Gasket**	PTFE	PTFE	4
7	O-ring*	Viton	Viton	1
8	Stem Packing*	PTFE	PTFE	1
9	Gland	304 SS	304 SS	1
10	Belleville Washer	301 SS	301 SS	2
11	Packing Nut	304 SS	304 SS	1
12	Handle T-Bar	ASTM A351 Gr. CF8M	ASTM A351 Gr. CF8M	1
13	Stop Pin Bolt	304 SS	304 SS	1
13a	Stop Pin Nut	304 SS	304 SS	1
14	Handle Bolt	304 SS	304 SS	1
15	Handle	Carbon Steel	Carbon Steel	1
16	Blank Cover	ASTM A351 Gr. CF8M	ASTM A216 Gr. WCB	1
17	Threaded Stud	ASTM A193 Gr. B8	ASTM A193 Gr. B8	22/24
18	Bonnet	ASTM A351 Gr. CF8M	ASTM A216 Gr. WCB	1
19	Hex Nut	ASTM A194 Gr. 8	ASTM A194 Gr. 8	22/24
20	Bonnet Gasket	PTFE	PTFE	1

*These parts are interchangeable with other Multiport models.

**These parts are interchangeable with 2 1/2"-4" MPT230/240 models.

Dimensions



Models MPT130/MPC130

Size ins mm	A	A1	øB	C	C1	D	E	F	G	H	H1	H2	H3	øI	øJ	K	L	M	Torque lbs-in Nm
1/4 6	2.83 72	—	0.43 11	1.42 36	—	5.12 130	2.44 62	1.48 37.5	0.43 11	—	—	—	—	1.417 36	1.654 42	0.354 9	0.24 6	0.24 6	127 14.3
3/8 10	2.83 72	—	0.43 11	1.42 36	—	5.12 130	2.44 62	1.48 37.5	0.43 11	—	—	—	—	1.417 36	1.654 42	0.354 9	0.24 6	0.24 6	127 14.3
1/2 15	2.83 72	5.24 133	0.47 12	1.42 36	2.62 66.5	5.12 130	2.44 62	1.48 37.5	0.43 11	0.47 12	0.38 9.6	0.85 21.7	0.98 25	1.417 36	1.654 42	0.354 9	0.24 6	0.24 6	127 14.3
3/4 20	3.27 83	5.59 142	0.59 15	1.63 41.5	2.80 71	5.12 130	2.52 64	1.65 42	0.43 11	0.47 12	0.62 15.8	0.85 21.7	0.98 25	1.417 36	1.654 42	0.354 9	0.24 6	0.24 6	170 19.2
1 25	3.90 99	6.30 160	0.79 20	1.95 49.5	3.15 80	6.50 165	3.23 82	1.93 49	0.55 14	0.79 20	0.87 22.1	1.71 43.5	1.98 50.4	1.654 42	1.969 50	0.433 11	0.24 6	0.28 7.1	212 24.0
1¼ 32	4.41 112	—	0.98 25	2.20 56	—	6.50 165	3.50 89	2.17 55	0.55 14	—	—	—	—	1.654 42	1.969 50	0.433 11	0.24 6	0.28 7.1	383 43.3
1½ 40	4.92 125	7.17 182	1.26 32	2.46 62.5	3.58 91	8.07 205	3.86 98	2.48 63	0.71 18	1.26 32	1.37 34.8	1.71 43.5	1.98 50.4	1.969 50	2.756 70	0.551 14	0.28 7.1	0.36 9.2	563 63.6
2 50	5.87 149	8.50 216	1.50 38	2.93 74.5	4.25 108	8.07 205	4.25 108	2.91 74	0.71 18	1.50 38	1.87 47.5	2.22 56.5	2.52 63.9	1.969 50	2.756 70	0.551 14	0.28 7.1	0.36 9.2	690 78.0

Torque at maximum rated pressure, clean water, PTFE seating material.

C_v Model MPT130

Size ins mm	1/4 6	3/8 10	1/2 15	3/4 20	1 25	1¼ 32	1½ 40	2 50
90°	0.64	1.4	3.8	7.4	14	22	38	60
180°	0.9	1.9	4.9	9.4	18	27	48	76

Weight Model MPT130

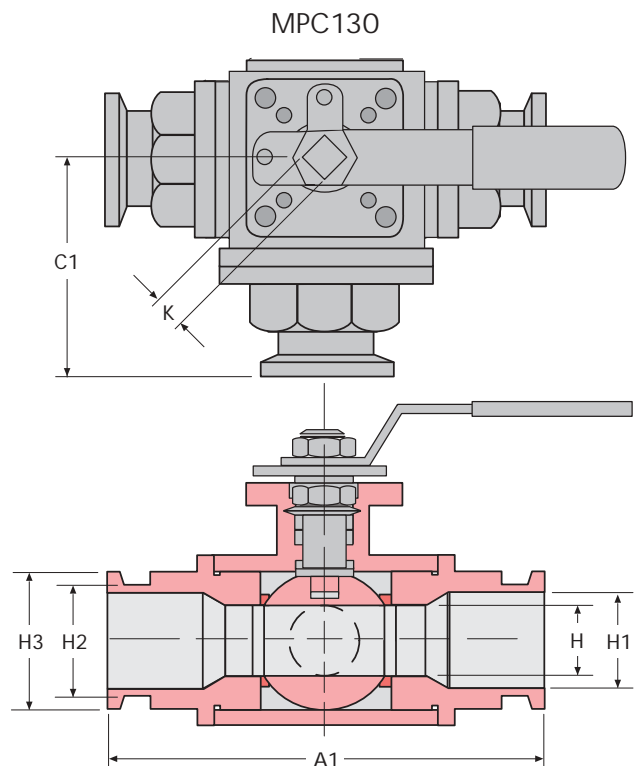
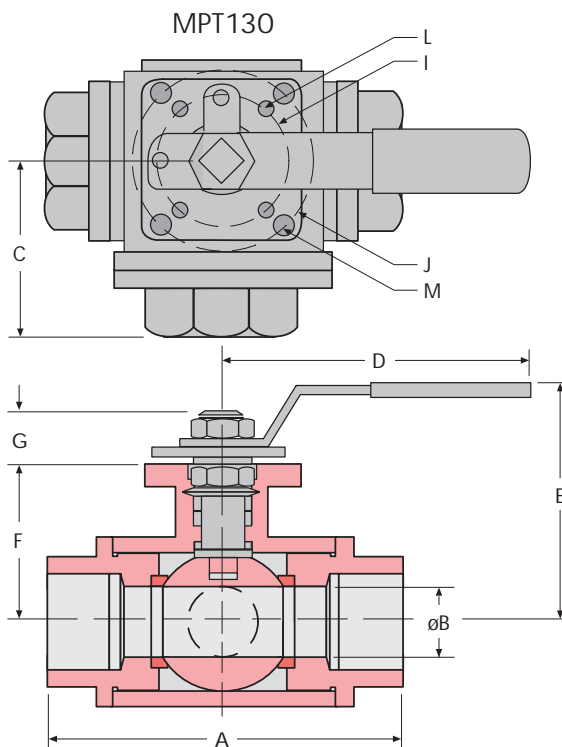
Size ins mm	1/4 6	3/8 10	1/2 15	3/4 20	1 25	1¼ 32	1½ 40	2 50
lbs	1.5	1.5	1.5	1.9	3.4	4.8	7.5	11.6
kg	0.7	0.7	0.7	0.9	1.5	2.2	3.4	5.3

C_v Model MPC130

Size ins mm	1/4 6	3/8 10	1/2 15	3/4 20	1 25	1¼ 32	1½ 40	2 50
90°	—	—	1.8	4.6	15	—	40	53
180°	—	—	2.4	5.8	20	—	55	67

Weight Model MPC130

Size ins mm	1/4 6	3/8 10	1/2 15	3/4 20	1 25	1¼ 32	1½ 40	2 50
lbs	—	—	2.0	2.3	4.3	—	8.4	14.1
kg	—	—	0.9	1.0	1.9	—	3.8	6.4



Dimensions

Models MPT230/MPC230/MPT240/MPC240

Size ins mm	A	A1	øB	C	C1	D	E	F	G	H	H1	H2	H3	øI	øJ	K	L	M	Torque lbs-in Nm
1/4 6	3.46 88	—	0.43 11	1.73 44	—	5.12 130	2.44 62	1.52 38.5	0.43 11	—	—	—	—	1.417 36	1.654 42	0.354 9	0.236 6	0.236 6	160 18.1
3/8T 1/2C	3.46 88	5.24 133	0.43 11	1.73 44	2.62 66.5	5.12 130	2.44 62	1.52 38.5	0.43 11	0.472 12	0.38 9.6	0.85 21.7	0.98 25	1.417 36	1.654 42	0.354 9	0.236 6	0.236 6	160 18.1
1/2T 3/4C	4.13 105	5.59 142	0.59 15	2.07 52.5	2.80 71	5.12 130	2.52 64	1.61 41	0.43 11	0.591 15	0.62 15.8	0.85 21.7	0.98 25	1.417 36	1.654 42	0.354 9	0.236 6	0.236 6	180 20.3
3/4T 20	4.41 112	—	0.79 20	2.19 55.5	—	6.50 165	3.23 82	1.93 49	0.55 14	—	—	—	—	1.654 42	1.969 50	0.433 11	0.236 6	0.280 7.1	234 26.4
1 25	5.04 128	6.30 160	0.98 25	2.52 64	3.15 80	6.50 165	3.50 89	2.17 55	0.55 14	0.984 25	0.87 22.1	1.71 43.5	1.98 50.4	1.654 42	1.969 50	0.433 11	0.236 6	0.280 7.1	425 48
1¼ 32	5.51 140	—	1.25 31.8	2.76 70	—	8.07 205	3.86 98	2.48 63	0.71 18	—	—	—	—	1.969 50	2.756 70	0.551 14	0.280 7.1	0.362 9.2	637 72
1½ 40	6.30 160	7.17 182	1.50 38	3.15 80	3.58 91	8.07 205	4.25 108	2.91 74	0.71 18	1.496 38	1.37 34.8	1.71 43.5	1.98 50.4	1.969 50	2.756 70	0.551 14	0.280 7.1	0.362 9.2	722 82
2 50	7.56 192	8.50 216	1.97 50	3.78 96	4.25 108	12.80 325	5.51 140	3.66 93	0.91 23	1.969 50	1.87 47.5	2.22 56.5	2.52 63.9	2.756 70	4.016 102	0.669 17	0.362 9.2	0.449 11.4	1594 180
2½ 65	11.57 294	9.50 241.3	2.44 62	5.79 147	4.75 120.7	15.75 400	7.87 200	4.69 119	0.98 25	2.441 62	2.37 60.2	2.78 70.6	3.05 77.4	4.016 102	—	0.866 22	0.433 11	—	1487 168
3 80	12.48 317	11.00 279.4	2.99 76	6.24 158.5	5.50 139.7	19.69 500	8.27 210	5.39 137	0.98 25	2.992 76	2.87 72.9	3.28 83.3	3.58 91	4.016 102	—	0.866 22	0.433 11	—	2656 300
4 100	14.53 369	13.00 330.2	3.78 96	7.26 184.5	6.50 165.1	25.59 650	9.06 230	6.18 157	0.98 25	3.780 96	3.83 97.4	4.34 110.3	4.69 119	4.016 102	—	0.866 22	0.433 11	—	3398 384

Cv Model MPT230/MPT240

Size ins mm	1/4 6	3/8 10	1/2 15	3/4 20	1 25	1¼ 32	1½ 40	2 50	2½ 65	3 80	4 100
90°	0.64	1.4	8.1	15	24	40	65	106	171	255	409
180°	0.9	1.9	11	21	33	54	92	147	240	356	561

Torque at maximum rated pressure, clean water, PTFE seating material.

Cv Model MPC230/MPC240

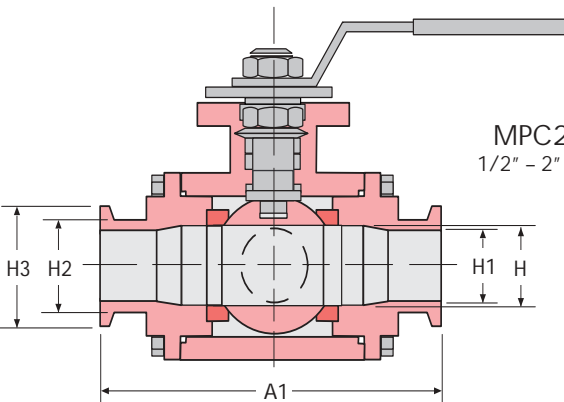
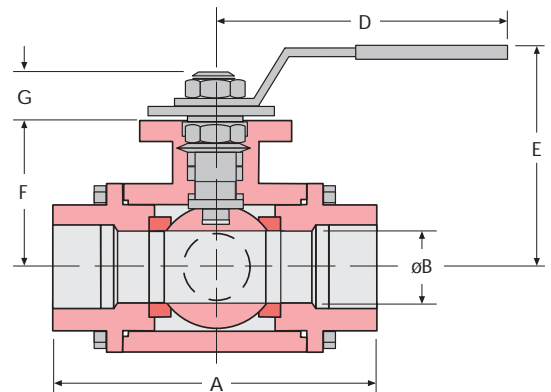
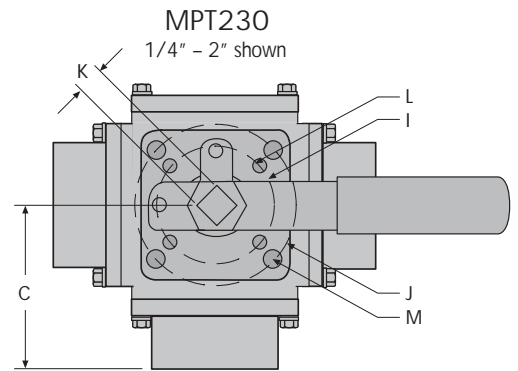
Size ins mm	1/4 6	3/8 10	1/2 15	3/4 20	1 25	1¼ 32	1½ 40	2 50	2½ 65	3 80	4 100
90°	—	—	1.8	8.2	14	—	40	85	147	214	458
180°	—	—	2.4	11	19	—	54	117	205	296	652

Weight Model MPT230 (L Port)

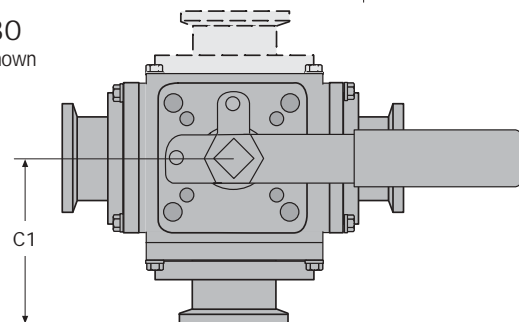
Size ins mm	1/4 6	3/8 10	1/2 15	3/4 20	1 25	1¼ 32	1½ 40	2 50	2½ 65	3 80	4 100
lbs	2.9	2.9	4.5	5.8	8.2	12.1	18.6	33.9	45.6	60.3	109.7
kg	1.3	1.3	2.0	2.6	3.7	5.5	8.4	15.4	20.7	27.3	49.7

Weight Model MPC230 (L Port)

Size ins mm	1/4 6	3/8 10	1/2 15	3/4 20	1 25	1¼ 32	1½ 40	2 50	2½ 65	3 80	4 100
lbs	—	—	3.0	5.9	9.6	—	18.9	33.8	44.6	58.1	105
kg	—	—	1.4	2.7	4.4	—	8.6	15.3	20.3	26.4	47.6



MPC230
1/2" - 2" shown



For detailed drawing information on other valve sizes not shown, consult the factory for Multiport IOM manual.

Dimensions



Models MPF150/MPF300

MPF150 Flange Dimensions

MPF300 Flange Dimensions

Size ins mm	A 150	A1 300	øB	D	E	F	G	øH	øI*	J	K	L*	M	N	S	T	M1	N1	S1	T1
1/2 15	5.98 152	6.30 160	0.59 15	5.12 130	2.44 62	1.61 41	0.43 11	1.417 36	1.654 42	0.354 9	0.236 6	0.236 6	3.50 89	4	2.38 60.5	0.63 16	3.75 95	4	2.62 66.5	0.63 16
3/4 20	6.57 167	6.97 177	0.79 20	6.50 165	3.23 82	1.93 49	0.55 14	1.654 42	1.969 50	0.433 11	0.236 6	0.280 7.1	3.88 98.5	4	2.75 69.8	0.63 16	4.62 117	4	3.25 82.5	0.75 19
1 25	7.48 190	7.87 200	0.98 25	6.50 165	3.50 89	2.17 55	0.55 14	1.654 42	1.969 50	0.433 11	0.236 6	0.280 7.1	4.25 108	4	3.12 79.2	0.63 16	4.88 124	4	3.50 89	0.75 19
1 1/4 32	8.19 208	8.58 218	1.26 32	8.07 205	3.86 98	2.48 63	0.71 18	1.969 50	2.756 70	0.551 14	0.280 7.1	0.362 9.2	4.62 117	4	3.50 89	0.63 16	5.25 133	4	3.88 98.5	0.75 19
1 1/2 40	8.66 220	9.21 234	1.50 38	8.07 205	4.25 108	2.91 74	0.71 18	1.969 50	2.756 70	0.551 14	0.280 7.1	0.362 9.2	5.00 127	4	3.88 98.5	0.63 16	6.12 155	4	4.50 114	0.87 22
2 50	9.96 253	10.75 273	1.97 50	12.80 325	5.51 140	3.66 93	0.91 23	2.756 70	4.016 102	0.669 17	0.362 9.2	0.449 11.4	6.00 152	4	4.75 120.6	0.75 19	6.50 165	8	5.00 127	0.75 19
2 1/2 65	11.81 300	11.81 300	2.44 62	15.75 400	7.87 200	4.69 119	0.98 25	4.016 102	—	0.866 22	0.433 11	—	7.00 177.8	4	5.50 139.7	0.75 19	7.50 190.5	8	5.88 149.4	0.88 22.4
3 80	12.01 305	13.01 330.4	2.99 76	19.69 500	8.27 210	5.39 137	0.98 25	4.016 102	—	0.866 22	0.433 11	—	7.50 190.5	4	6.00 152.4	0.75 19	8.25 209.6	8	6.62 168.2	0.88 22.4
4 100	14.51 368.5	15.49 393.5	3.78 96	25.59 650	9.06 230	6.18 157	0.98 25	4.016 102	—	0.866 22	0.433 11	—	9.00 228.6	8	7.50 190.5	0.75 19	10.00 254	8	7.88 200.2	0.88 22.4
6 150	16.81 427	18.43 468.1	5.91 150	47.24 1200	8.66 220	6.28 159.5	2.40 61	4.921 125	—	1.417 36	M12	—	11.00 279.4	8	9.50 241.3	0.88 22.4	12.50 317.5	12	10.62 269.8	0.88 22.4
8 200	20.94 532	—	7.87 200	59.06 1500	10.31 262	7.91 201	2.40 61	4.921 125	—	1.417 36	M12	—	13.50 342.9	8	11.75 298.5	0.88 22.4	15.00 381	12	13.00 330.2	1.00 25.4

*Outer mounting bolt circle (I) and hole diameter (L) for 1/2"–2" valves not shown in drawing.

Torque Models MPF150/MPF300

Size ins mm	1/2 15	3/4 20	1 25	1 1/4 32	1 1/2 40	2 50	2 1/2 65	3 80	4 100	6 150	8 200
lbs-in	180	234	425	637	722	1594	1487	2656	3398	6000	8000
Nm	20.3	26.4	48	72	82	180	168	300	384	678	904

Torque at maximum rated pressure, clean water, PTFE seating material.

C_v Models MPF150/MPF300

Size ins mm	1/2 15	3/4 20	1 25	1 1/4 32	1 1/2 40	2 50	2 1/2 65	3 80	4 100	6 150	8 200
90°	8.1	15	24	40	65	106	171	255	409	1083	2007
180°	11	21	33	54	92	147	240	356	561	1509	2817

Weight Model MPF150 (4-Way, T Port)

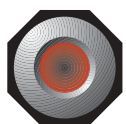
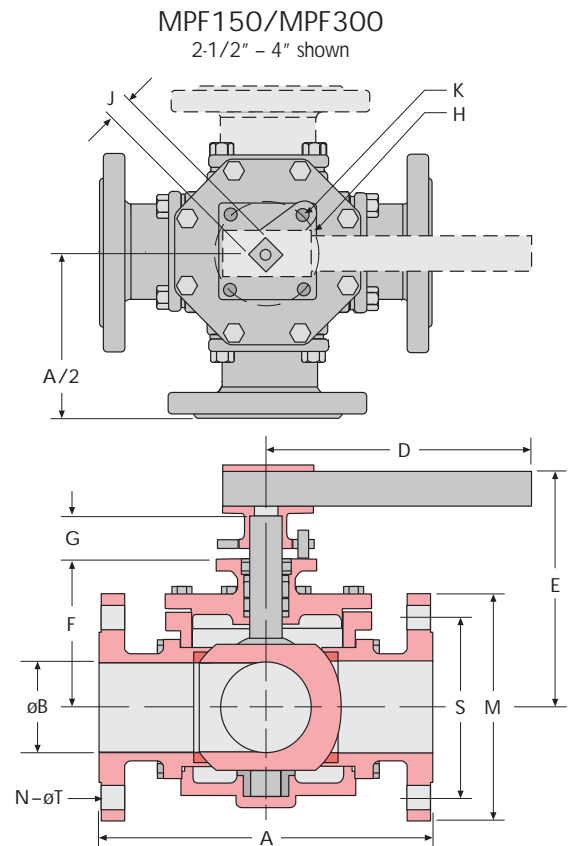
Size ins mm	1/2 15	3/4 20	1 25	1 1/4 32	1 1/2 40	2 50	2 1/2 65	3 80	4 100	6 150	8 200
lbs	8.7	10.3	14.9	20.8	30.3	51.3	70.1	88.4	160.5	290.4	543.0
Kg	3.9	4.7	6.7	9.4	13.7	23.3	31.8	40.1	72.8	131.7	246.3

Weight Model MPF300 (4-Way, T Port)

Size ins mm	1/2 15	3/4 20	1 25	1 1/4 32	1 1/2 40	2 50	2 1/2 65	3 80	4 100	6 150
lbs	11.2	16	21.8	29.1	42.9	61.0	86.4	108.3	184.2	456.2
Kg	5.1	7.3	9.9	13.2	19.5	27.7	39.2	49.1	83.6	206.9

Consult factory for 10" and 12" Models MPF150/MPF300 valve data.

For detailed drawing information on other valve sizes not shown, consult the factory for Multiport IOM manual.



Flow-Tek

A Subsidiary of BRAY INTERNATIONAL, Inc.
11850 Tanner Road Houston, Texas 77041
832.912.2300 Fax: 832.912.2301

www.flow-tek.com

All statements, technical information, and recommendations in this bulletin are for general use only. Consult Flow-Tek representatives or factory for the specific requirements and material selection for your intended application. The right to change or modify product design or product without prior notice is reserved.

© 2003 Flow-Tek, Inc. MPT/C/F 11/03