

AUTHORISED DEALER;
PUSHKARNA SALES PVT LTD.
4772.HAUZ QAZI.DELHI-06.
TELEFAX:011-23216378.
EMAIL:sales@pushkarnasales.com
WEB:www.pushkarnasales.com

Valve Position Monitors

NEMA 4, 4X & NEMA 7, 9
For Manual or Automated Valves

Moniteur shown on
Manual Valve.
Also excellent for
Automated Valves.



Moniteur Series

Model FMYB-5120
Model AMYB-5120

Flow-Tek's Moniteur Series valve position monitors signal valve status to both local and remote stations. The units have been designed for ease of wiring and adjustment in the field. The monitors can be mounted and operated in any orientation. A wide range of switches are available.

All external fasteners are corrosion resistant 316 stainless steel and are protected by shrouds and seals, preventing

screw threads from coming in contact with the atmosphere. Internal wiring is completely enclosed within the housing, preventing accidental grounding of live circuits.

The high visibility BEACON provides local valve position indication throughout the full range of travel. The BEACON employs a compression seal to prevent condensation and contaminants from entering and obscuring the display.

SWITCHES: 2

Mechanical SPDT
NIMROD Sensor SPDT
PRISM Contact SPDT
Mechanical DPDT
GO Switches SPDT
Proximity SPST
Proximity SPDT

Model FMYB-5120:

Model AMYB-5120:

MAX. RATING

15A 125/250VAC
3A 110VAC, 2A 24VDC
1A 125VAC
10A 125/250VAC, 28VDC
4A 120VAC, 50mA 24VDC
0.75A 200VAC
0.25A 175VAC

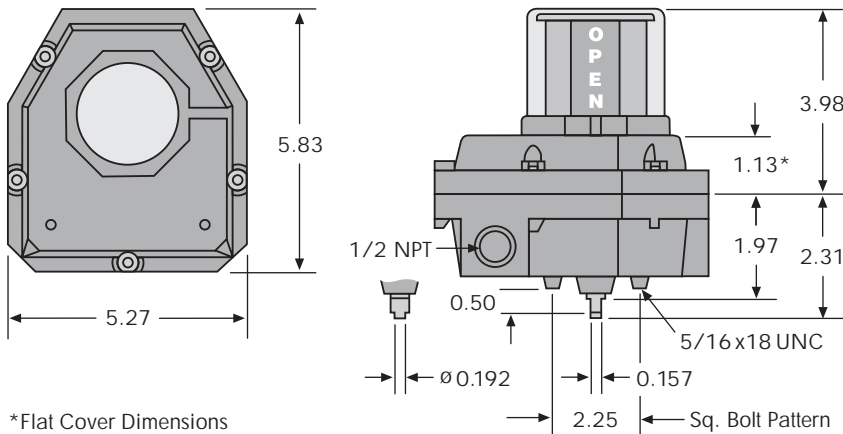
**Rated NEMA 4, 4X
NAMUR Shaft Standard**

**Rated NEMA 7, 9
NAMUR Shaft Standard
UL Approved**



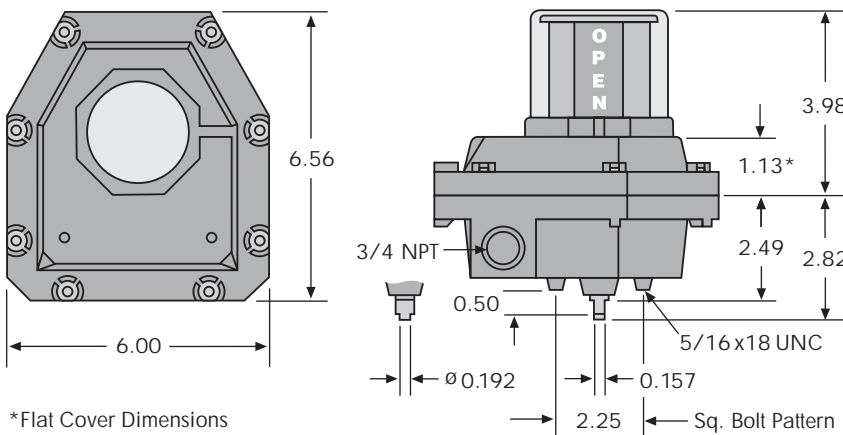
Technical Data

DIMENSIONS Model FMYB-5120: NEMA 4, 4X Weatherproof



*Flat Cover Dimensions

DIMENSIONS Model AMYB-5120: NEMA 7, 9 Explosion Proof



*Flat Cover Dimensions

APPROVALS

Model AMYB-5120 units have the following approvals:

- Mechanical Switches
All units rated NEMA 4, 4X, 7, 9
UL: Class 1 Group C & D, Division 1 & 2
Class 2 Group E, F, G, Division 1 & 2
- NIMROD Sensor
All units rated NEMA 4, 4X, 7, 9
UL: Group A & B, Division 1 & 2
Class 1 Group C & D, Division 1 & 2
Class 2 Group E, F, G, Division 1 & 2

SPECIFICATIONS

- Housing:
FMYB-5120 - Two 1/2" NPT Conduits
AMYB-5120 - Two 3/4" NPT Conduits
- Housing: Aluminum
- Coating: Polyurethane
- Seals: Buna N
- Bearing: Bronze
- Shaft: One Piece 303 Stainless Steel
NAMUR Stem Connection
- Fasteners: 316 Stainless Steel
- Switches: Mechanical SPDT 15A
- Number of Switches: Two
- Terminal Points: Eight
- BEACON: Yellow / Black
- Operating Temperature: -40°F to 175°F
- Weight:
FMYB-5120 - 3.0 lbs.
AMYB-5120 - 4.25 lbs.

MONITEUR SERIES OPTIONS

- Viton Seals
- Epoxy Coating
- Resistance Outputs:
0-150Ω, 0-1,000Ω, 0-10,000Ω
- Milli Amp Outputs
All Standards, Polarity Independent
- Additional Terminals
- Additional Conduit Entries
- Two Piece Shaft
- Solenoid Valve

BEACON LABEL OPTIONS

- Yellow / Black
- Green / White
- Red / White
- Blue / White
- 3 Way Path ("O" Flow)
- 3 Way Path ("T" Flow)
- 3 Way Path ("F" Flow)
- 4 Way Path ("S" Flow)



A Subsidiary of BRAY INTERNATIONAL, Inc.
11850 Tanner Road Houston, Texas 77041
832.912.2300 Fax: 832.912.2301

www.flow-tek.com

All statements, technical information, and recommendations in this bulletin are for general use only. Consult Flow-Tek representatives or factory for the specific requirements and material selection for your intended application. The right to change or modify product design or product without prior notice is reserved.

© 2001 Flow-Tek, Inc.

VPM

3/01