

Forbes Marshall Cast Strainer (Class 1500)

Description

The Forbes Marshall Cast Strainer (Class 1500), FMSTR72 / FMSTR73 is a forged alloy steel strainer with stainless steel screen having 20 mesh with 6mm perforation and 40 mesh with 6mm perforation as standard.

Sizes and Pipe Connections

DN 15, 20, 25 and 40
Available with IBR certificate
Other screen mesh/perforation available on special order
Socket weld (FMSTR72) and butt weld (FMSTR73) ends.
Also available with class 1500 weld-on flanges on request.

Blow down or drain cock connections

The cap drilled to 1/2" NPT to enable a blow down or drain cock to be fitted.

Limiting Conditions

Alloy Steel (AS)

Maximum allowable pressure	258.6 bar g at 38°C
Maximum operating pressure	194 bar g at 375°C (IBR requirement)
Maximum operating temperature	590°C at 41.68 bar g
Cold hydraulic test pressure	388 bar g (IBR requirement)

Carbon Steel (CS) - Available on request

Maximum allowable pressure	255.3 bar g at 38°C
Maximum operating pressure	191 bar g at 336°C (IBR requirement)
Maximum operating temperature	425°C at 143.8 bar g
Cold hydraulic test pressure	382 bar g (IBR requirement)

How to Order

Example : 1 No. DN40 Forbes Marshall Cast Strainer (Class 1500) FMSTR72 / FMSTR73 having 20 mesh with 6 mm perforations, socket weld end connection IBR.

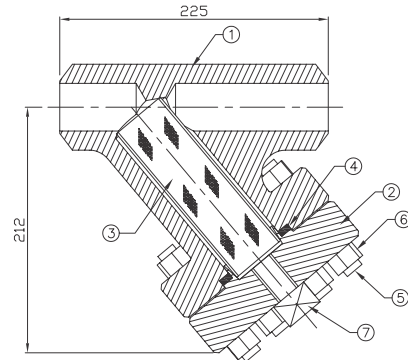


Fig 1 : FMSTR72 in butt weld end connection

Material

Sr. No.	Part	Material	Qty
1	Body	ASTM A182 Gr. F22 Cl.3	1
2	Cap	ASTM A182 Gr. F22 Cl.3	1
3	Screen	SS 304	1
4	Gasket spiral wound	SS 304 + Graphite	1
5	Studs	ASTM A193 Gr. B16	8
6	Heavy hex. nuts	ASTM A194 Gr.7	16
7	½" NPT drain plug	ASTM A182 Gr.F22 Cl.3	1

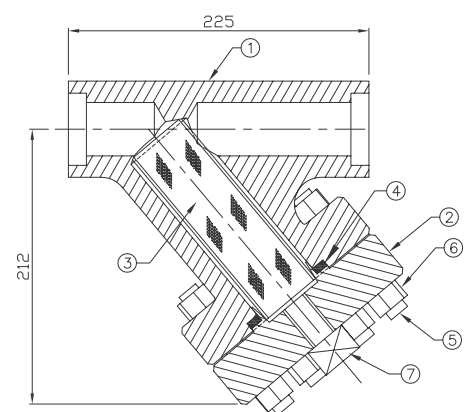


Fig 2 : FMSTR73 in socket weld end connection

Sr. No.	Part	Material	Qty
1	Body	ASTM A105N	1
2	Cap	ASTM A105N	1
3	Screen	SS 304	1
4	Gasket spiral wound	SS 304 + Graphite	1
5	Studs	ASTM A193 Gr. B7	8
6	Heavy Hex. nuts	ASTM A194 Gr. 2H	16
7	½" NPT drain plug	ASTM A105N	1

Authorised Dealer;
Pushkarna Sales Pvt Ltd.
4772, Hauz Qazi, Delhi-06.
Telefax : 011-23216378/23217239.
Email : sales@pushkarnasales.com
Web : www.pushkarnasales.com
KSB, FORBES MARSHALL, BRAY,
VAAS Valves & Automation.

Installation

Please refer user manual for installation guidelines

Available Spares

Screen and gasket kits are available as spares .

How to Order Spares

Contact Forbes Marshall for ordering of spares.

Servicing

With suitable isolation repairs can be carried out online. Dismantle bolted joint and remove strainer cap to remove muck and clean the screen thoroughly. Fit the screen carefully and fit cap with new gasket. Tighten nuts uniformly. Open up the isolation valve to check for gasket leakage if any and tighten if required.