

Globe Valve

ECOLINE GLB 150-600

Class 150-600
NPS 2"-12"
Cast Steel / Stainless Steel
Bellows
Flanged Ends

Type Series Booklet



Authorised Dealer;
Pushkarna Sales Pvt Ltd.
4772. Hauz Qazi. Delhi-06.
Telefax : 011-23216378/23217239.
Email : sales@pushkarnasales.com
Web : www.pushkarnasales.com
KSB, FORBES MARSHALL, BRAY,
VAAS Valves & Automation.



Legal information/Copyright

Type Series Booklet ECOLINE GLB 150-600

All rights reserved. The contents provided herein must neither be distributed, copied, reproduced, edited or processed for any other purpose, nor otherwise transmitted, published or made available to a third party without the manufacturer's express written consent.

Subject to technical modification without prior notice.

© KSB Aktiengesellschaft, Frankenthal 18.07.2014

Globe Valves

Bellows-type Globe Valves to ANSI/ASME

ECOLINE GLB 150-600



Main applications

- Petrochemical industry
- Process engineering
- General industry
- Food and beverage industry
- Energy

Fluids handled

- Steam
- Thermal oil
- Explosive fluids
- Combustible fluids
- Fluids containing gas
- Gas
- Fluids posing a health hazard
- Toxic fluids
- Hot water
- Highly aggressive fluids
- Condensate
- Corrosive fluids
- Valuable fluids
- Volatile fluids
- Fluids containing mineral oils
- Oil
- Feed water
- Other fluids on request.

Operating data

Operating properties

Characteristic	Value
Nominal pressure	Class 150 - 600
Nominal size	NPS 2" - 12"
Max. permissible pressure	106 bar
Min. permissible temperature	0 °C
Max. permissible temperature	427 °C

Temperatures < 0 °C on request

Selection as per pressure/temperature ratings (⇒ Page 5)

Body materials

Overview of available materials

Material	Temperature limit
ASTM A 216 WCB	Up to 427 °C
ASTM A 351 CF8	Up to 427 °C
ASTM A 351 CF8M	Up to 427 °C

Other materials on request.

Design details

Design

- Valve design to BS 1873 and MSS SP-117
- On/off disc
- Bolted bonnet
- Outside screw
- Outside yoke
- Integrated seat ring
- Metal-seated
- Rising stem
- Non-rising handwheel
- Graphite gland packing
- Stainless steel/graphite gaskets
- Travel stop
- Stem sealed by double-walled bellows and back-up gland packing
- Positive anti-rotation feature between stem and bellows
- Position indicator
- The valves satisfy the safety requirements of Annex I of the European Pressure Equipment Directive 97/23/EC (PED) for fluids in Groups 1 and 2.
- The valves do not have a potential internal source of ignition and can be used in potentially explosive atmospheres, Group II, category 2 (zones 1+21) and category 3 (zones 2+22) to ATEX 94/9/EC.

Variants

- Locking device
- Position switch(es)
- Version with free stem end and top flange to ISO 5210
- NACE standard
- Electric actuators
- Seal-welded body/bonnet joint
- Leakage monitoring hole in the gland packing area

- Replaceable seat ring
- Version in compliance with TA-Luft (German Clean Air Act) to VDI 2440 for temperatures up to 400 °C
- Other flanged end designs or butt weld ends to ASME B16.25

Product benefits

- Leak-free stem seal
 - Primary sealing to atmosphere is provided by a multi-walled metal bellows welded to the stem and a graphite gasket between bonnet and yoke.
 - Secondary sealing of the stem passage to atmosphere is provided by a minimum of five graphite packing rings plus lower gland section for added safety.
- Longer service lives of valve and bellows
 - Specially designed multi-ply stainless steel bellows offers excellent corrosion resistance and flexibility; designed to withstand 1.5 times the nominal valve pressure.
 - Thanks to its position well outside the flow path, the bellows is not exposed to abrupt changes in fluid pressure which could result in lateral deformation and subsequent failure.
 - A stop attached to the stem by means of a pin ensures straight, non-rotating movement of the stem and bellows and prevents circumferential deformation at the bellows.
 - On some of the larger sizes, an additional valve disc guide accurately seats the valve disc on the body seat and prevents deformation of the long stem/bellows assembly.
 - Stellite-6 hard-facing applied to the seating surfaces of the body and the valve disc prevents the valve disc from seizing in the body seat and reduces wear.
- Reliable leakage protection of body
 - Yoke gaskets are fitted above and below the end plate of the bellows assembly and firmly compressed by a set of studs and nuts. The lower gasket is confined by the body shoulder and the end fitting of the bellows to prevent excessive compression.
 - Identical design of bonnet gasket and yoke gasket prevents excessive compression.
- Ease of service without additional costs
 - No costs for daily or frequent maintenance work during valve duty thanks to reliable bellows seal between the stem and the body.
 - If required, a leakage monitoring hole can be provided in the gland packing area.
 - The bolted bonnet and the design of the stem and bellows assembly enable straightforward dismantling in the event that defective internal components need to be replaced.

- The valve disc dismantles from the stem to allow straightforward repair in the event of damage to the valve disc and body seating surfaces.
- Operating reliability
 - When the valve is in the fully open position, the stop acts as a travel stop preventing excessive valve travel which could destroy the bellows or reduce the expected service life of the bellows.
 - The stop also provides anti-blow out protection, preventing the stem from being blown out of the valve body under high internal valve pressure.
- Suitable for various installation positions
 - Design with valve disc accurately guided onto the seat by means of a guiding plate enables special installation positions (in vertical pipes or with inclined but upward stem position).
- Available for all kinds of fluids
 - Several material variants available for body and bellows to suit a variety of fluids and applications.

Related documents

- Gate valve, type ECOLINE GTB 800, see type series booklet 7372.1
- Globe valves, type ECOLINE GLB 800, see type series booklet 7368.1
- Operating manual 7366.8

On all enquiries/orders please specify

1. Type
2. Class
3. Nominal size
4. Pressure/temperature rating
5. Operating pressure
6. Operating temperature
7. Differential pressure
8. Material
9. Fluid handled
10. Actuation frequency
11. Pipe connection
12. Pipe schedule
13. Variants
14. Number of type series booklet

Pressure/temperature ratings

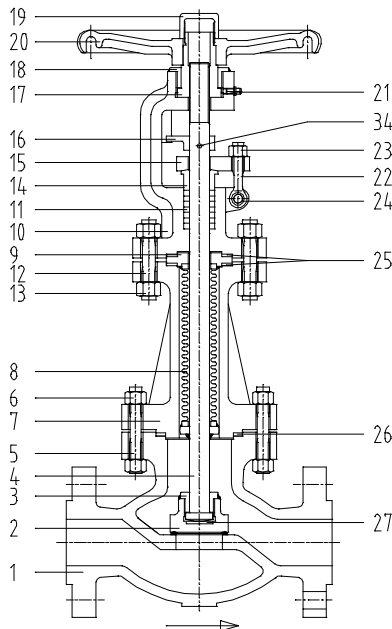
Permissible operating pressures in bar at temperatures in °C (to ASME B16.34)

Class	Material	-29 to 38	93	149	204	260	316	343	371	399	427
150	A 216 WCB	19,7	17,9	15,9	13,8	11,7	9,7	8,6	7,6	6,6	5,5
300		51,0	46,9	45,2	43,8	41,7	39,3	37,9	36,5	34,8	28,3
600		102,0	93,8	90,3	87,2	83,1	78,3	75,8	73,1	70,0	56,9
150	A 351 CF8	19,0	15,9	14,1	13,1	11,7	9,7	8,6	7,6	6,6	5,5
300		49,6	41,4	37,2	34,1	32,1	30,3	29,6	29,0	28,6	27,9
600		99,3	82,7	74,1	68,6	64,1	61,0	59,6	58,3	56,9	55,8
150	A 351 CF8M	19,0	16,2	14,8	13,4	11,7	9,7	8,6	7,6	6,6	5,5
300		49,6	42,7	38,6	35,5	33,1	31,0	30,3	30,0	29,3	29,0
600		99,3	85,5	77,2	70,7	65,8	62,1	61,0	60,0	59,0	58,3

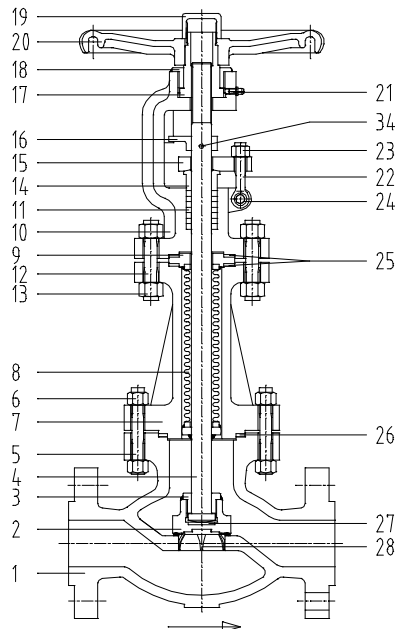
Test pressures

Test	Test medium	Class 150		Class 300		Class 600	
		bar	psi	bar	psi	bar	psi
Shell	Water	32	450	78	1125	153	2225
Leak test (seat)		23	315	56	815	112	1630
Leak test (seat) ¹⁾	Air	5,5	80	5,5	80	5,5	80

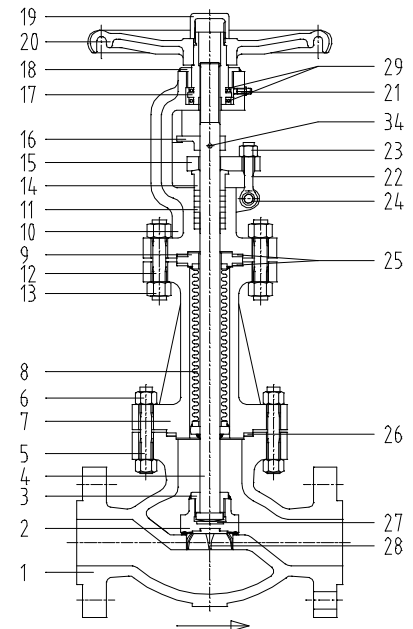
Materials



Class 150: 2" - 4"
Class 300: 2" - 4"
Class 600: 2" - 3"

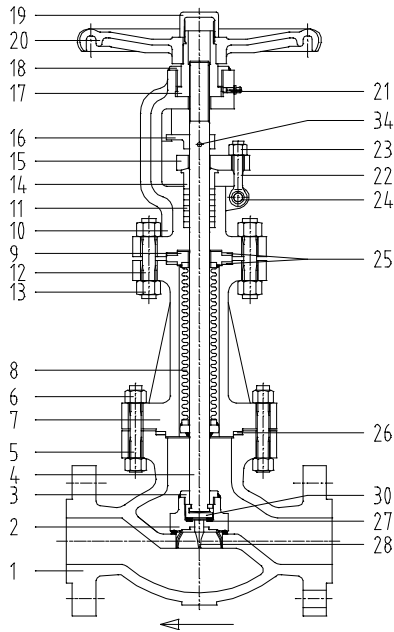


Class 150: 6"

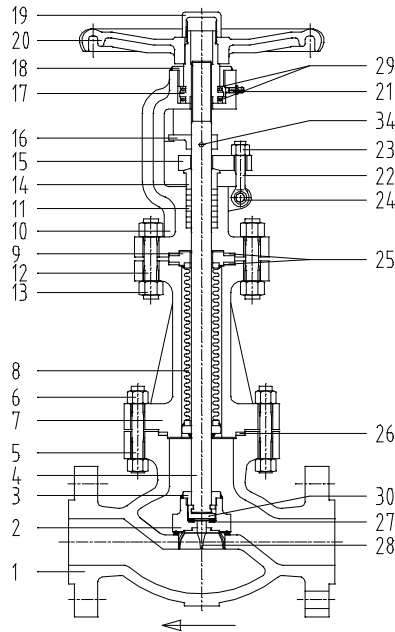


Class 150: 8"

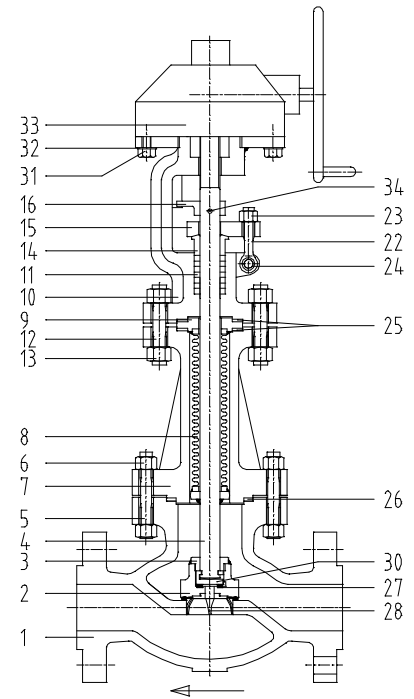
¹⁾ Optional for globe valves



Class 300: 6"
Class 600: 4"



Class 300: 8"
Class 600: 6"



Class 150: 10" - 12"
Class 300: 10" - 12"
Class 600: 8"

Overview of available materials

Part No.	Description	Material			
		Bellows: A 182 F316L ²⁾			
		A 216 WCB/Trim 8	A 216 WCB/Trim 5	A 351 CF8/Trim 2	A 351 CF8M/Trim 10
1	Body	A 216 WCB + ST6	A 216 WCB + ST6	A 351 CF8	A 351 CF8M
2	Valve disc	A 105 + 13 % chrome (Cr)	A 105 + ST6	A 182 F304	A 182 F316
3	Nut	A 105	A 105	A 182 F304	A 182 F316
4 ³⁾	Stem	2 Cr 13	2 Cr 13	A 182 F304	A 182 F316
5	Stud	A 193 B7	A 193 B7	A 193 B8	A 193 B8
6	Nut	A 194 2H	A 194 2H	A 194 Gr. 8	A 194 Gr. 8
7	Bonnet	A 216 WCB	A 216 WCB	A 351 CF8	A 351 CF8M
8 ³⁾	Bellows	SS 316L	SS 316L	SS 316L	SS 316L
9 ³⁾	End plate ⁴⁾	SS 316L	SS 316L	SS 316L	SS 316L
10	Yoke	A 216 WCB	A 216 WCB	A 351 CF8	A 351 CF8M
11 ³⁾	Gland packing	Graphite	Graphite	Graphite	Graphite
12	Stud	A 193 B7	A 193 B7	A 193 B8	A 193 B8
13	Nut	A 194 2H	A 194 2H	A 194 Gr. 8	A 194 Gr. 8
14	Lower gland section	1 Cr 13	1 Cr 13	SS 304	SS 316
15	Gland follower	Carbon steel	Carbon steel	Stainless steel	Stainless steel
16 ³⁾	Stop	Carbon steel	Carbon steel	Stainless steel	Stainless steel
17	Stem nut	D-2	D-2	D-2	D-2
18	Threaded ring	Carbon steel	Carbon steel	Stainless steel	Stainless steel
19	Cap	Carbon steel	Carbon steel	Stainless steel	Stainless steel
20	Handwheel	Nodular cast iron	Nodular cast iron	Nodular cast iron	Nodular cast iron
21	Lubricating nipple	Stainless steel	Stainless steel	Stainless steel	Stainless steel
22	Eyebolt	A 193 B7	A 193 B7	A 193 B8	A 193 B8
23	Nut	A 194 2H	A 194 2H	A 194 Gr. 8	A 194 Gr. 8
24	Pin	Carbon steel	Carbon steel	Stainless steel	Stainless steel

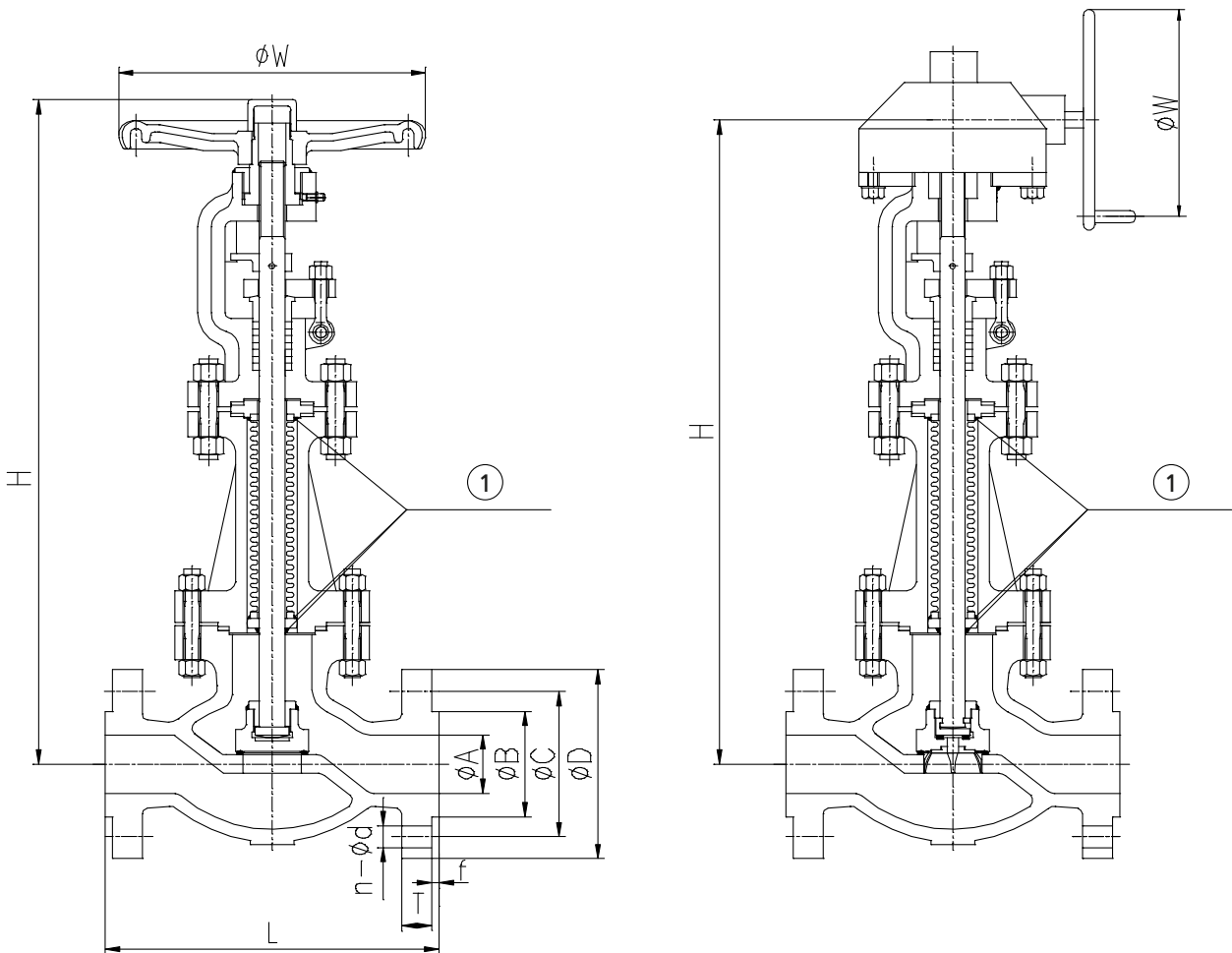
2) Other bellows materials on request, e.g. SS316Ti.

3) Recommended spare parts

4) Welded to bellows

Part No.	Description	Material			
		Bellows: A 182 F316L ²⁾			
		A 216 WCB/Trim 8	A 216 WCB/Trim 5	A 351 CF8/Trim 2	A 351 CF8M/Trim 10
25 ³⁾	Gasket	SS 316 + graphite	SS 316 + graphite	SS 316 + graphite	SS 316 + graphite
26 ³⁾	Gasket	SS 316 + graphite	SS 316 + graphite	SS 316 + graphite	SS 316 + graphite
27	Disc thrust plate	1 Cr 13	1 Cr 13	SS 304	SS 316
28	Valve disc guide	Carbon steel	Carbon steel	Stainless steel	Stainless steel
29	Bearing	-	-	-	-
30	Pilot plug	A 105 + 13 % chrome (Cr)	A 105 + ST6	A 182 F304	A 182 F316
31	Bolt	Carbon steel	Carbon steel	Stainless steel	Stainless steel
32	Washer	Carbon steel	Carbon steel	Stainless steel	Stainless steel
33	Gearbox	-	-	-	-
34 ³⁾	Pin	Carbon steel	Carbon steel	Stainless steel	Stainless steel

Dimensions



①	Seal-welded
---	-------------

Dimensions in mm

Class	NPS	L	Ø A	Ø B	Ø C	Ø D	T	f	n - Ø d	H ⁵⁾	Ø W	Travel	[kg]
150	2"	203	50,8	92,1	120,7	150	14,3	2	4 - 19	391	200	15	23
	2 ½"	216	63,5	104,8	139,7	180	15,9	2	4 - 19	459	200	20	31

2) Other bellows materials on request, e.g. SS316Ti.
5) Closed

Class	NPS	L	Ø A	Ø B	Ø C	Ø D	T	f	n - Ø d	H ⁵⁾	Ø W	Travel	[kg]	
300	3"	241	76,2	127,0	152,4	190	17,5	2	4 - 19	500	250	25	45	
	4"	292	101,6	157,2	190,5	230	22,3	2	8 - 19	593	300	30	63	
	6"	406	152,4	215,9	241,3	280	23,9	2	8 - 22	682	400	40	115	
	8"	495	203,2	269,9	298,5	345	27,0	2	8 - 22	779	450	55	204	
	10"	622	254,0	323,8	362,0	405	28,6	2	8 - 19	956	460 ⁶⁾	65	351	
	12"	698	304,5	381,0	431,8	458	30,2	2	8 - 19	1159	540 ⁶⁾	80	534	
	300	2"	267	50,8	92,1	127,0	165	20,7	2	8 - 19	409	250	15	31
		2 ½"	292	63,5	104,8	149,2	190	23,9	2	8 - 22	481	250	20	44
		3"	318	76,2	127,0	168,3	210	27,0	2	8 - 22	529	250	25	62
		4"	356	101,6	157,2	200,0	255	30,2	2	8 - 22	621	300	30	84
		6"	444	152,4	215,9	269,9	320	35,0	2	12 - 22	808	400	40	182
		8"	559	203,2	269,9	330,2	380	39,7	2	12 - 25	976	450	55	300
10"		622	254,0	323,8	387,4	445	46,1	2	16 - 28	1118	610 ⁶⁾	65	541	
600	12"	711	304,8	381,0	450,8	520	49,3	2	16 - 32	1287	610 ⁶⁾	80	725	
	2"	292	50,8	92,1	127,0	165	25,4	7	8 - 19	474	250	15	49	
	2 ½"	330	63,5	104,8	149,4	190	28,6	7	8 - 22	549	250	20	65	
	3"	356	76,2	127,0	168,3	210	31,8	7	8 - 22	608	350	25	80	
	4"	432	101,6	157,2	215,9	275	38,1	7	8 - 25	724	400	30	134	
	6"	559	152,4	215,9	292,1	355	47,7	7	12 - 28	1016	500	40	333	
	8"	660	199,9	269,9	349,2	420	55,6	7	12 - 32	1271	610 ⁶⁾	55	620	

Mating dimensions - Standards

Face-to-face lengths: ASME B16.10
Flanges: ASME B16.5

Overview of available materials

Overview of variants

Class	NPS	Single valve disc	Double valve disc (with pilot plug)	Guided valve disc	Handwheel-operated	Gearbox-operated
150	2	✓	✗	○	✓	○
	2 ½"	✓	✗	○	✓	○
	3	✓	✗	○	✓	○
	4	✓	✗	○	✓	○
	6	✓	✗	✓	✓	○
	8	✓	✗	✓	✓	○
	10	✗	✓	✓	✗	✓
	12	✗	✓	✓	✗	✓
300	2	✓	✗	○	✓	○
	2 ½"	✓	✗	○	✓	○
	3	✓	✗	○	✓	○
	4	✓	✗	○	✓	○
	6	✗	✓	✓	✓	○
	8	✗	✓	✓	✓	○
	10	✗	✓	✓	✗	✓
	12	✗	✓	✓	✗	✓
600	2	✓	✗	○	✓	○
	2 ½"	✓	✗	○	✓	○
	3	✓	✗	○	✓	○
	4	✗	✓	✓	✓	○
	6	✗	✓	✓	✓	○
	8	✗	✓	✓	✗	✓

Key to the symbols

Symbol	Description
✓	Standard design
○	Optional, available on request
✗	Not available

Notes on installation

The valve bodies are marked with an arrow indicating the flow direction.

5) Closed

6) Diameter of gearbox handwheel

Globe valves should always be installed in such a way that the actual flow direction of the fluid matches the arrow on the body, unless otherwise requested by the customer.



KSB Aktiengesellschaft

Johann-Klein-Straße 9 • 67227 Frankenthal (Germany)

Tel. +49 6233 86-0 • Fax +49 6233 86-3476

E-Mail: valves@ksb.com • www.ksb.com

18.07.2014

7366.1/01-EN