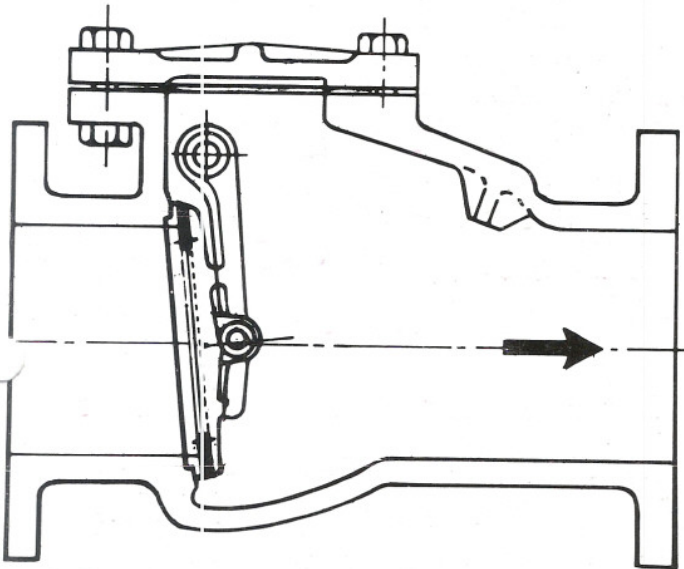


# REFLUX (NON-RETURN) VALVES

## SWING TYPE, SINGLE DOOR CAST IRON



Normal Standard : IS : 5312 (Part-I)

Other Standard : BS, DIN, or as per Customer's requirements.

Operation Arrangement : Counter weight or Dashpot may be provided even with integrated hydraulic circuit.

Special features : Bye Pass Valve. Foot mounting arrangement Inspection Door.

End Connection : Flanges may be as per Customer's requirements.

Certification Mark : IS Certification Mark may be provided.

Authorised Dealer;  
Pushkarna Sales Pvt Ltd.  
4772, Hauz Qazi, Delhi-06.  
Phones : 9810139446,9818453355.  
Email : sales@pushkarnasales.com  
Site : www.pushkarnasales.com

### Test Pressure

Range	P. N. Rating	Body	Seat
50-125 mm	1.6	24kg/cm <sup>2</sup>	16kg /cm <sup>2</sup>
150-300 mm	1.0	15kg/cm <sup>2</sup>	10kg/cm <sup>2</sup>
350-600 mm	0.6	9kg/cm <sup>2</sup>	6kg/cm <sup>2</sup>

### Dimensions in mm

Size	50	65	80	100	125	150	200	250	300	350	400	450	500	600
Length	200	240	260	300	350	400	500	600	700	800	900	1000	1100	1300
Hinge Pin	10	10	10	12	12	16	20	22	25	25	32	32	38	38



**Kalpana Valves Manufacturing Co. (P) Ltd.**

Regd. Office :

PDF processed with CutePDF evaluation edition [www.CutePDF.com](http://www.CutePDF.com), Howrah - 711 104 (W.B.)

# REFLUX (NON-RETURN) VALVES

## SWING CHECK TYPE, MULTI DOOR PATTERN CAST IRON

Authorised Dealer;  
Pushkarna Sales Pvt Ltd.  
4772. Hauz Qazi. Delhi-06.  
Phones : 9810139446,9818453355.  
Email: sales@pushkarnasales.com  
Site: www.pushkarnasales.com

Normal Standard : IS : 5312 (Part-II)

Other Standard : BS, DIN, or as per Customer's requirements.

Operation Arrangement : Counter weight or Dashpot may be provided even with integrated hydraulic circuit. No. of doors may be two or three.

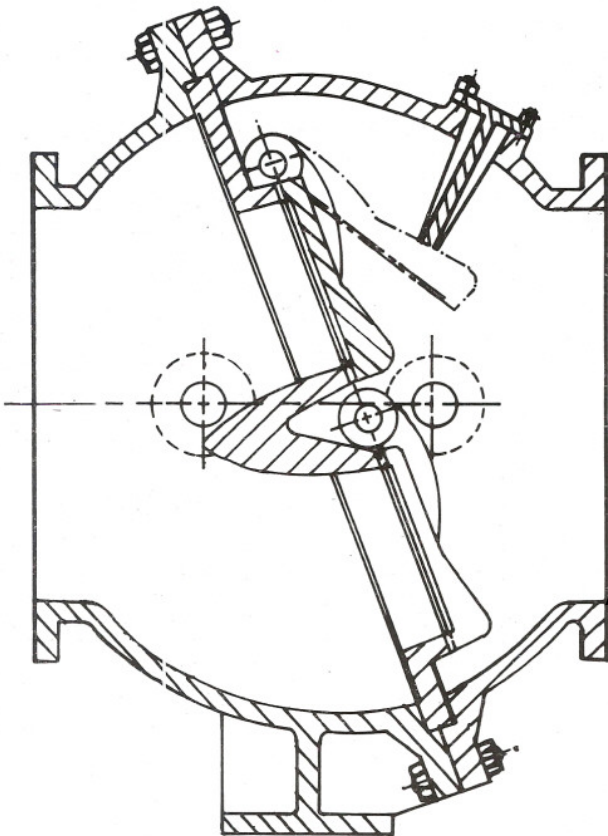
Special Features : Bye Pass Valve.

End Connection : Flanges may be as per customer's requirements.

Authorised Dealer;

Test Pressure

Test	PN-0.6	PN-1
Body	0.9	1.5
Seat	0.6	1.0



Dimensions in mm

Size	500	600	700	750	800	900	1000	1100	1200
Length over Flanges	815	914	1000	1045	1118	1250	1250	1396	1500
Overall Height	1150	1333	1446	1446	1634	1570	1730	2069	2250
Height of Centre from Duck Foot	600	685	750	750	850	815	915	1080	1175
Size of Duck Foot	200x250	254x254	300x375	300x375	300x375	300x375	300x375	400x450	400x450



**Kalpana Valves Manufacturing Co. (P) Ltd.**

Regd. Office :

Ichapur H.I.T. Road, Sastibagan, Santragachi, Howrah - 711 104 (W.B.)