

Multi Valve Pressure Powered Pump Package Unit with IJ and CRM485R

Description :

The Forbes Marshall Multi Valve Pressure Powered Pump Package Unit with IJ and CRM485R , MV55, is a positive displacement pump unit operated by steam or compressed air or pressurised gas. The unit is specifically designed to pump hot condensate. The MV55 pump has multiple inlet and exhaust valves in a mechanism assembled in a single shell which is compact in size, giving high discharge capacities.

Sizes and Pipe Connections

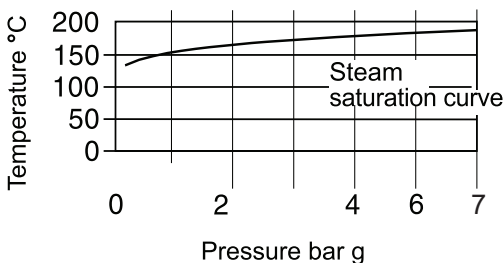
Size	: DN80
Condensate inlet	: DN80 Flange Class 150
Condensate outlet	: DN80 Flange Table "F"
Vent Outlet	: DN150 Flange Class 150
Empty Weight	: 500 kg

Limiting Conditions

PMA Maximum design pressure	7 bar g
TMA Maximum design temperature	180°C
Operating Inlet Motive Pressure	Steam / Compressed Air / Pressurised gas 3-7 bar g (Max)
Pump discharge per cycle	55 kg
Steam Consumption	3 Kg of steam per 1000 kg condensate pumped
Air consumption	22 SCF per 1000 Kg condensate pumped
Minimum operating temperature	0°C

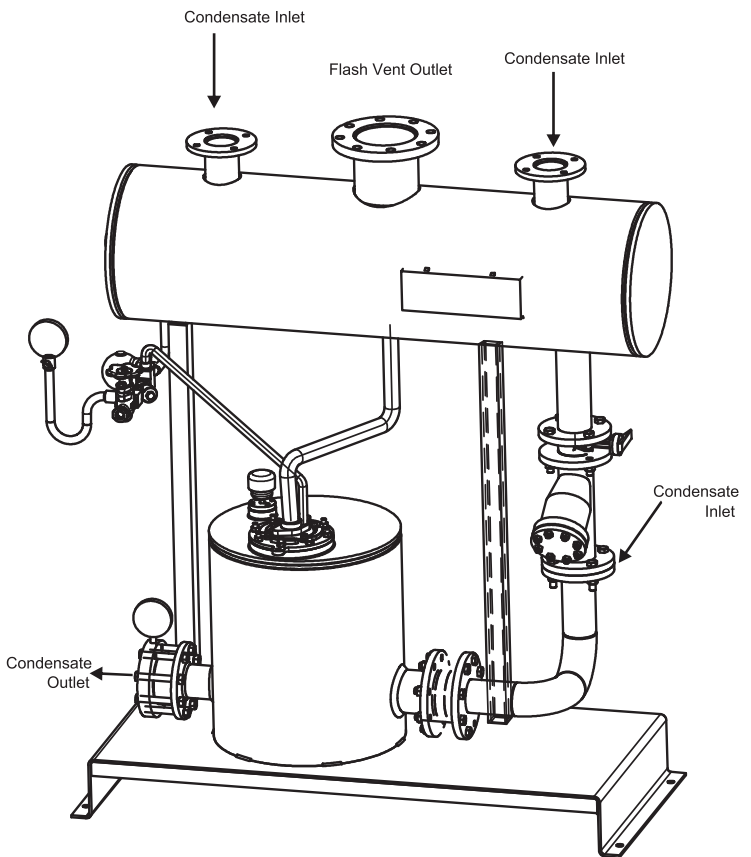
Note: For lower operating temperatures consult Forbes Marshall

Operating range

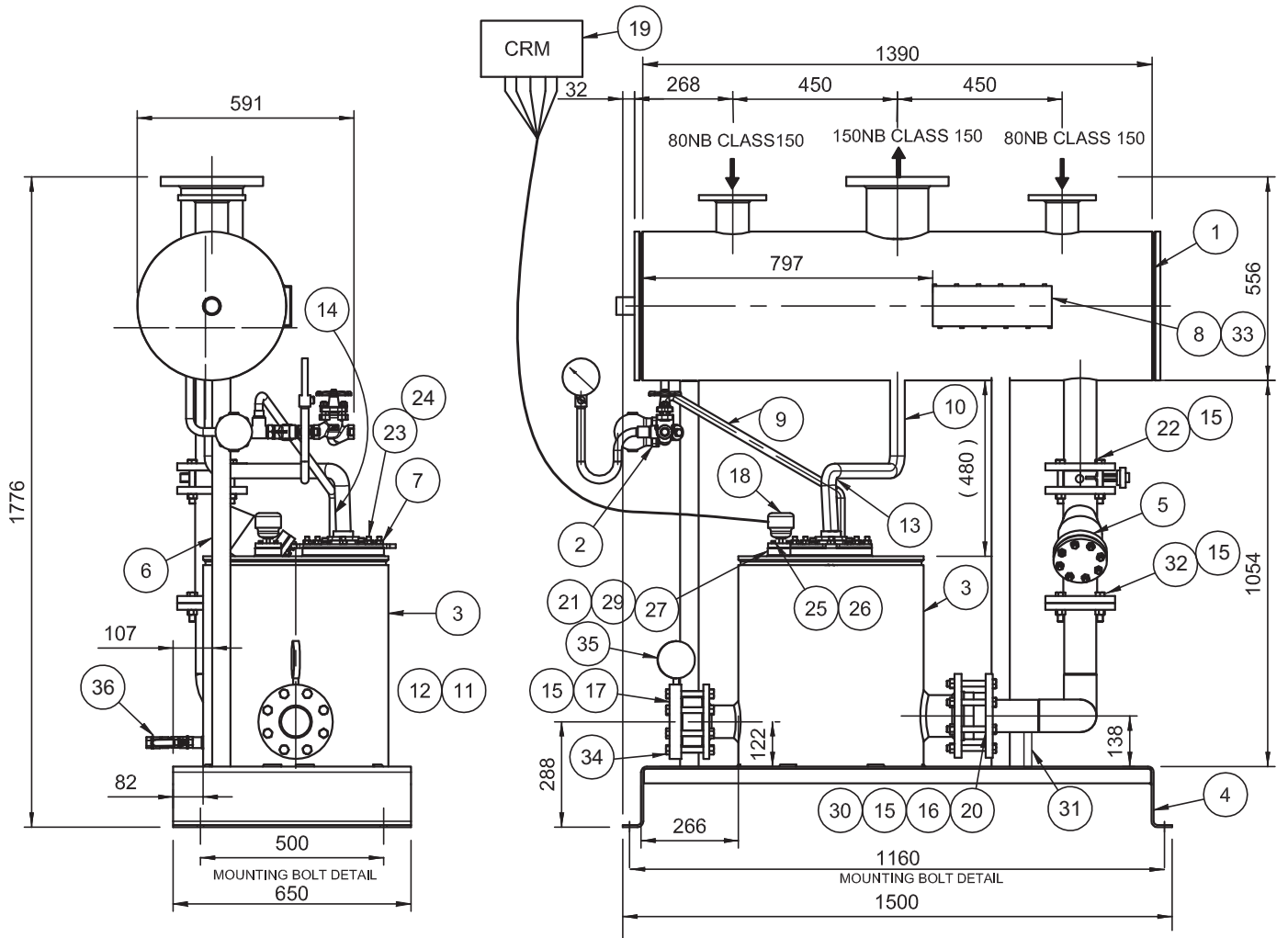


Standard Accessories

- Condensate Recovery Meter - 485 (CRM485R)
- Insulation Jacket (IJ-MV55)



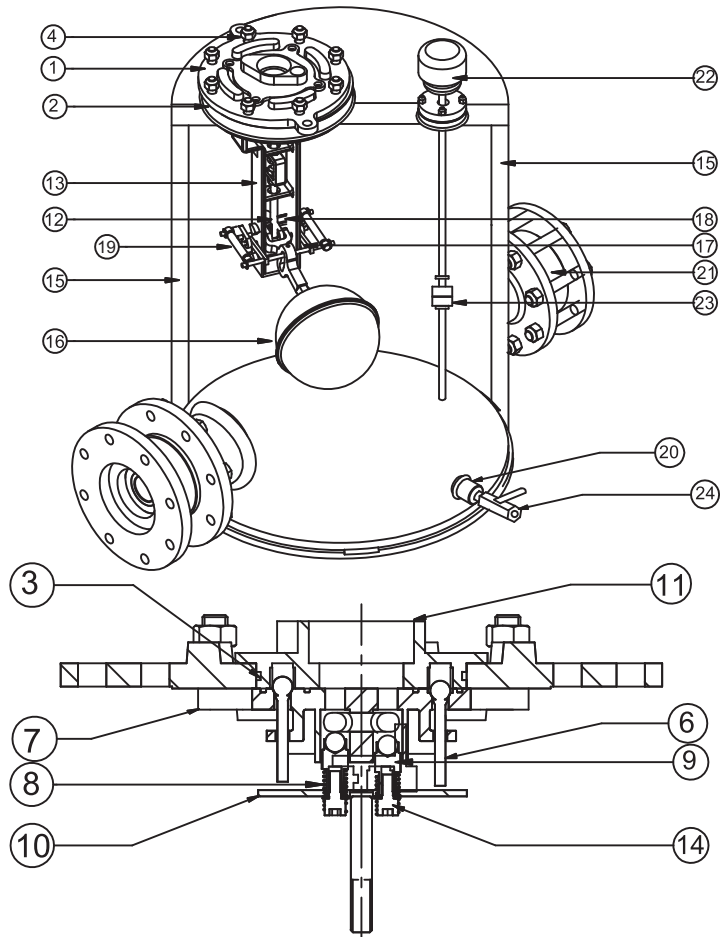
Authorised Dealer;
Pushkarna Sales Pvt Ltd.
4772, Hauz Qazi, Delhi-06.
Telefax : 011-23216378/23217239.
Email : sales@pushkarnasales.com
Web : www.pushkarnasales.com
KSB, FORBES MARSHALL, BRAY,
VAAS Valves & Automation.



All dimensions are in 'mm'

Sr. No.	Part	Sr. No.	Part
1	Receiver assembly	19	Condensate Recovery Meter (CRM)
2	Steam inlet connection assembly	20	DN100 Check valve
3	Shell assembly	21	Reed sensor flange
4	Frame assembly	22	M16 X 120L Hex head bolts
5	Condensate inlet strainer	23	Stud M12 X 50L
6	Support assembly	24	Nut M 12
7	Actuator mechanism assembly	25	Stud M6 X 35L
8	Name plate	26	Nut M6
9	½" Steam inlet hose 500 mm long	27	Sensor mounting flange
10	1- ½" Exhaust hose 750 mm long	28	*Mechanism gasket
11	DN80 Check valve	29	Reed gasket
12	DN80 Table F flange	30	M16 X 130L Hex head bolts
13	1- ½" BSPT (M) 90 bend	31	Condensate line support
14	½" BSPT pipe nipple 100 mm L	32	M16 X 70L Hex head bolts
15	M 16 Nut	33	Name plate screw
16	DN100 Check valve gasket	34	DN80 TAB F special flange
17	DN80 Check valve gasket	35	Pressure gauge
18	Reed sensor assembly	36	Drain valve

* Items Not Shown



Materials

Sr. No.	Part	Material	Standard
1	Mounting Flange	Stainless Steel	ASTM A 351 CF8
2	Cover Gasket	Synthetic Fibre	AF 154
3	O Ring	Viton	IS 9975
4	Stud & Nut M-12	Stainless Steel	
5	Inlet Valve Stem*	Stainless Steel Type 304	ASTM A 276
6	Inlet Valve Head	Stainless Steel	ASTM A 410
7	Valve Seat	Stainless Steel	ASTM A 351 CF8
8	Exhaust Valve Spring	Stainless Steel Type 304	ASTM A 276
9	Exhaust Valve	Stainless Steel Type 304	ASTM A 276
10	Actuating Disc	Stainless Steel Type 304	ASTM A 240
11	Motive Inlet Manifold	Stainless Steel	ASTM A 351 CF8
12	Push Rod Bottom	Stainless Steel Type 304	ASTM A 276
13	Mechanism Support	Stainless Steel	IS 210 FG 260
14	Exhaust Valve Screw	Stainless Steel	IS 1364
15	Shell	Carbon Steel	IS 2062
16	Float	Stainless Steel	
17	Linkage Mechanism	Stainless Steel	ASTM A 351 CF8
18	Push Rod Actuator	Stainless Steel	ASTM A 351 CF8
19	Spring	Inconel	
20	1/2" BSPT Pipe Nipple	Forged Carbon Steel	ASTM A 105
21	Check Valve	Stainless Steel	
22	Flow-Temp Sensor	Stainless Steel	
23	Sensor Float	Stainless Steel Type 304	ASTM A 240
24	1/2" BSPT Ball Valve	Forged Carbon Steel	ASTM A 105

* Items Not Shown

Capacity chart

Motive Pressure	Back Pressure	Capacity	Air Capacity
		Motive Fluid - Steam	Motive Fluid - Air
barg	barg	kg/hr	kg/hr
7.00	1.00	10548	
7.00	2.00	7960	
7.00	3.00	6119	
7.00	4.00	5048	
6.00	1.00	8358	10556
6.00	2.00	6870	7896
6.00	3.00	5480	5587
6.00	4.00	3583	4118
5.00	1.00	7997	10690
5.00	2.00	6006	7410
5.00	3.00	4983	5099
4.00	0.50	8429	11136
4.00	1.00	7437	9586
4.00	2.00	4649	6806
3.00	0.50	7379	10723
3.00	1.00	6039	9498

How to Order

Example : Multi Valve Pressure Powered Pump Package Unit model MV55 with insulation jacket and Condensate Recovery Meter - 485

Available Spares

- Spare kit for MV Internals
- Spare kit for MV Gasket Set (set of 2)
- Spare kit for MV Valve Seat
- Spare kit for MV O-ring Set (set of 3)
- Spare kit for MV Inlet Valve Seat And Head Assembly
- Spare kit for MV Exhaust Valve Seat And Head Assembly
- Spare kit for MV Spring Assembly

How to Order Spares

Always order spares by using the description given in the column headed "Available Spares" for this product.