

## Forbes Marshall Air Vent and Dial Thermometer Assembly

**Authorised Dealer;**  
Pushkarna Sales Pvt Ltd.  
4772, Hauz Qazi, Delhi-06.  
Telefax : 011-23216378/23217239.  
Email : sales@pushkarnasales.com  
Web : www.pushkarnasales.com  
KSB, FORBES MARSHALL, BRAY,  
VAAS Valves & Automation.

### Description

The Forbes Marshall Air Vent, FMAV53-D, is an airvent trap with a dial thermometer assembly which can be installed on steam mainlines for effective removal of air from the steam system. It also comes with an optional assembly consisting of 'Air Bottle'.

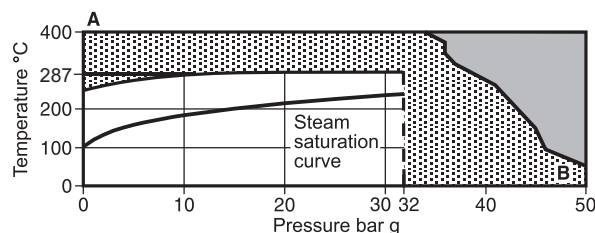
### Sizes and Pipe Connections

DN15 Screwed BSPT with or without Air Bottle.

### Limiting Conditions for Air Vent (FMAV53)

PMO-Max. Operating Pressure	32 bar g
TMO-Max. Operating Temperature	287°C

### Operating Range



■ The product **must not** be used in this region.  
▨ The product should not be used in this region or beyond its operating range as damage to the internals may occur.

A - B Screwed & Socket Weld Ends

### Temperature Range for Dial Thermometer

a) 0-180°C      b) 0-250°C

**Note:** Available in both NON-IBR and IBR

### Dimensions (approx.) in mm.

Size	A	B
FMAV53-D with Air Bottle	800	225
FMAV53-D without Air Bottle	240	225

### How to Order

Example: DN15 Forbes Marshall Air Vent, FMAV53-D with air bottle pipe, BSPT ends. Temperature Range 0-18 °C.

### Installation

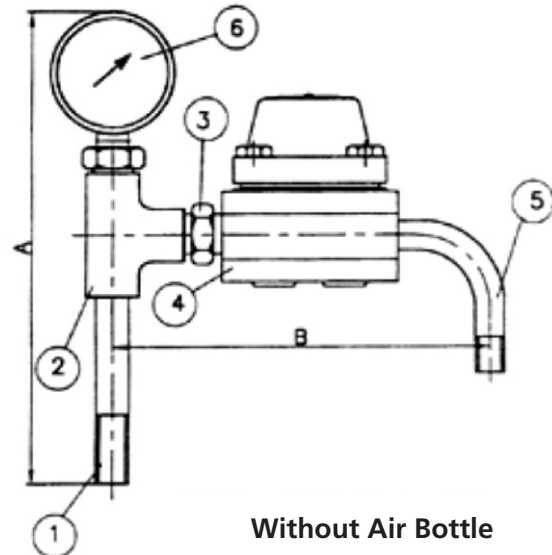
Installation of FMAV53-D assembly is very simple. This unit is to be installed directly on the equipment from which trapped air needs to be vented out. Fit the air collector pipe 7 or pipe 1 at the highest point in the equipment where air is likely to be collected through DN 15 BSPT tapping. FMAV53-D should be erected vertically.

### Available Spares

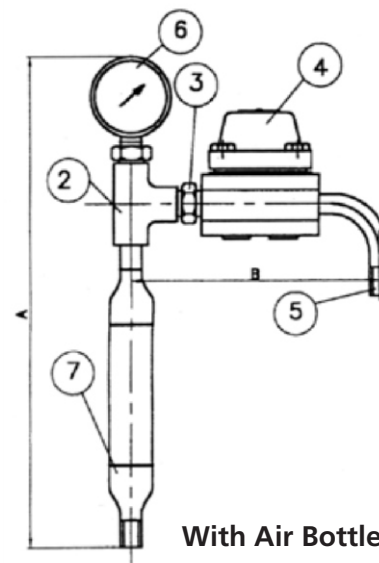
Please refer product user manual for spares.

### Recommended Tightening Torques for FMAV53

Part Description	Torque (Nm)
M8 BOLT	25-35 Nm



Without Air Bottle



With Air Bottle

### Material

No	Part	Material	Standard
1	Pipe	Carbon Steel	ASTM A106 Gr. B
2	Equal Tee	Forged Carbon Steel	ASTM A234 Gr. WPB
3	Hex Nipples.	Forged Carbon Steel	
4	Airvent Trap FMAV53	Cast Steel	ASTM A105
5	Long bend 90deg	Carbon Steel	ASTM A106 Gr. B
6	Bimetallic Dial Thermometer	Stainless Steel	
7	Air Bottle	Carbon Steel	ASTM A106 Gr. B



**Forbes Marshall**  
B-85, Phase II, Chakan Industrial Area  
Sawardari, Chakan  
Tal. Khed, Dist. Pune 410501. INDIA.  
Tel : +91 02135 393400

**Forbes Marshall Steam Systems Pvt. Ltd.**  
**(Formerly Spirax Marshall Pvt. Ltd.)**  
Regd Office: Opp 106th Milestone  
Bombay Poona Road, Kasarwadi,  
Pune 411 034. INDIA.  
Tel.: 91(0)20-27145595, 39858555  
CIN No : U27109PN1959PTC011334



Email : [seg@forbesmarshall.com](mailto:seg@forbesmarshall.com)

[www.forbesmarshall.com](http://www.forbesmarshall.com)