

Forbes Marshall Vent Head

Authorised Dealer;
Pushkarna Sales Pvt Ltd.
4772, Hauz Qazi, Delhi-06.
Telefax : 011-23216378/23217239.
Email : sales@pushkarnasales.com
Web : www.pushkarnasales.com
KSB, FORBES MARSHALL, BRAY,
VAAS Valves & Automation.

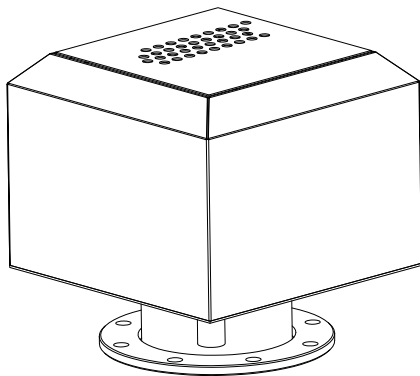
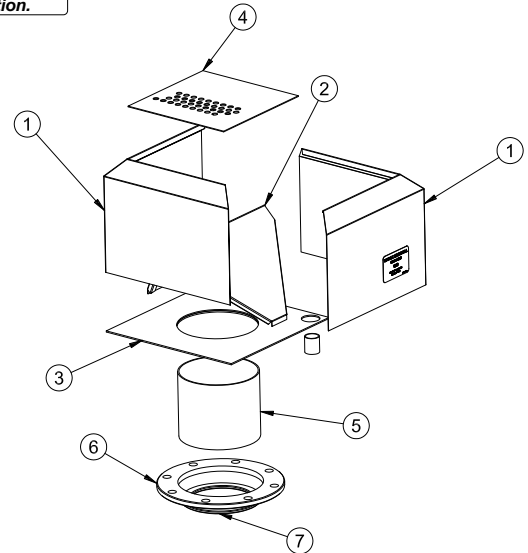
Description

The Forbes Marshall Vent Head, FMVH, is designed to fit vertical open-ended steam vent pipes. The vent head will discharge dry steam at low velocity safely to atmosphere protecting personnel from injury and buildings from material damage. The vent head incorporates an internal baffle to separate entrained water from the steam and discharges separately through the drain connection.

Applications

The FMVH is ideal for use on blowdown vessels, condensate vessels, boiler feedtanks, hot water storage tanks etc.

Warning : FMVH must not be used for safety valve outlets. Vent Heads are selected to be the same nominal size as the vent pipe.



- Efficient separation
- Reduces discharge velocity and noise
- Stainless steel body for long maintenance free life.
- A simple and effective vent head for general applications

Available Sizes

DN 50, 80, 100, 150, 200, 250, 300, 350, 400, 450, 500

Sizes / Pipe Connections with Dimensions(mm)

Size (DN)	Inlet Size	Drain Size	Dim H	Dim W	Dim C	Weight (Kg)
50	DN50 SCRD BSP	DN20 SCRD BSP	210	152	20	2
80	DN80 SCRD BSP	DN20 SCRD BSP	270	202	20	2.5
100	DN100 Class 150	DN25 SCRD NPT	320	240	24	6
150	DN150 Class150	DN25 SCRD NPT	390	340	25	13
200	DN200 Class 150	DN40 SCRD NPT	430	425	35	20
250	DN250 Class 150	DN40 SCRD NPT	495	525	35	28
300	DN300 Class 150	DN50 Class 150	570	625	45	35

Materials

Sr. No.	Part	Material	Standard
1	Outer Cover	SS304	ASTM A 240
2	Baffle Plate	SS304	ASTM A 240
3	Base Plate	SS304	ASTM A 240
4	Screen	SS304	ASTM A 240
5	Pipe	SS304	ERW SCH10S
6	Flange	Carbon Steel	SA 516 GR 70
7	Ring	Carbon Steel	SA 516 GR 70

Installation and Maintenance

Installation of the screwed and flanged vent heads is straight forward. The flanged vent heads have a lightweight flange drilled to suit the flange standard specified. The lap joint flange allows easy rotation to position the drain connection. The drain should be piped to a safe position where there is no possibility of discharging excessively hot water to drain. We recommend that an annual inspection is carried out to ensure that no debris is restricting the outlet or drain connection.

How to Specify

FMVH with austenitic stainless steel construction and screwed / carbon steel flanges. Vent heads shall incorporate an internal baffle and a screwed drain outlet connection.

How to Order

1 No. Forbes Marshall Vent Head FMVH with inlet flanged to suit Class 150, drain 1" NPT

