

## Forbes Marshall Forged Strainer (Class 800)

### Description

The Forbes Marshall Forged Strainer (Class 800), FMSTR51#800 / FMSTR52#800, has the strainer cap/flange through bolts and nuts and is available in forged steel with SS screen having 0.8mm dia perforation as a standard.

### Sizes and Pipe Connections

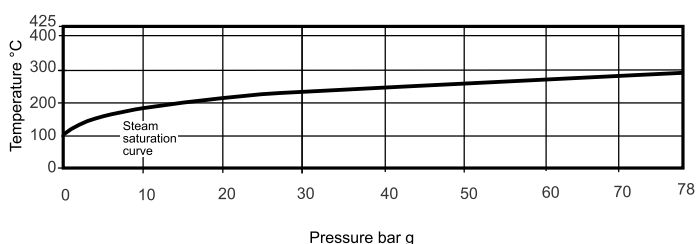
DN 25, 40 – Socket weld / BSPT / NPT

**Note:** Available with IBR certificate on request.

### Limiting Conditions

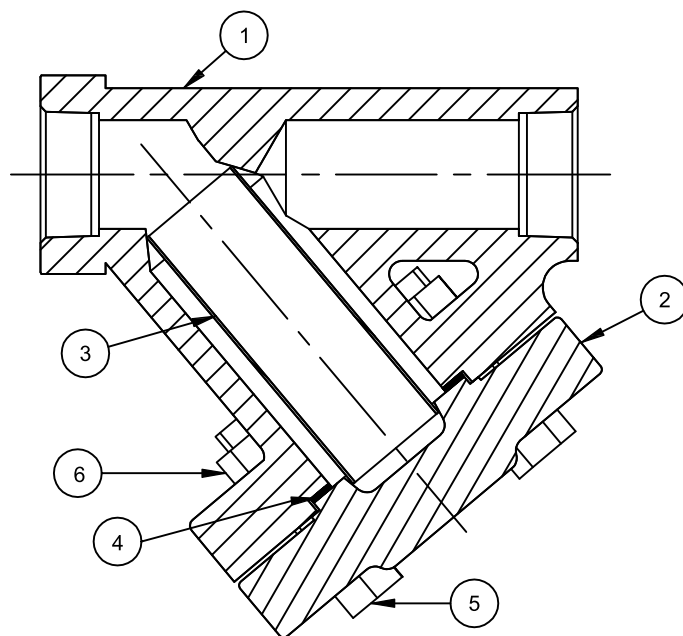
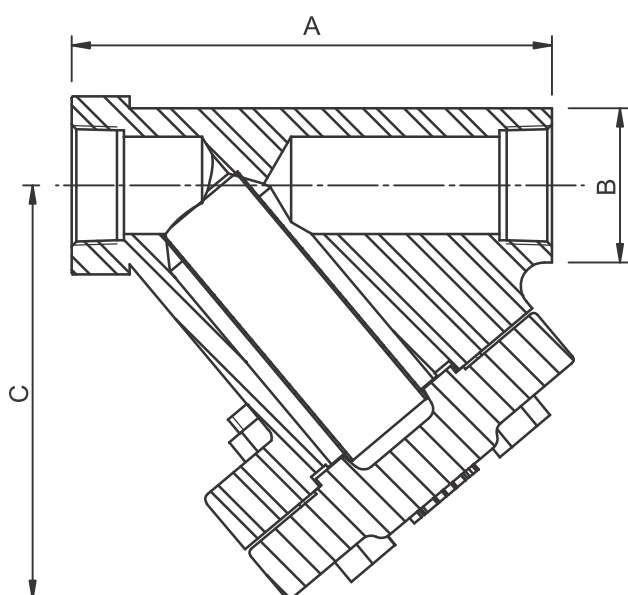
End	Max Working Pressure kg/cm <sup>2</sup> (g)	Temperature °C
BSPT/NPT	31.5	425
Class 800 size	78	425

### Operating range



### Dimensions (approx.) in mm

Size (DN)	A	B	C
25	205	75	174
40			



### Material

Sr. No	Part	Material	Standard
1	Body	Forged Steel	ASTM A-105
2	Cap	Forged Steel	ASTM A-105
3	Screen	Stainless Steel	ASTM A 240 Gr. 304
4	Gasket	Spiral Wound gasket	SS304 + Graphite
5	Bolt	Carbon Steel	ASTM A 193 Gr. B7
6	Nut	Carbon Steel	ASTM A 194 Gr. 2H

### Screen Details

SS screen having 0.8mm dia perforation as standard. 40,60,100 mesh screen are available on special request

### How to Order

Example : 1 No. DN 25 Forbes Marshall Forged Strainer FMSTR51#800 / FMSTR52#800, IBR.

### Optional

DN 15 BSPT plug on strainer cap is available on request.

**Authorised Dealer;**  
Pushkarna Sales Pvt Ltd.  
4772, Hauz Qazi, Delhi-06.  
Telefax : 011-23216378/23217239.  
Email : sales@pushkarnasales.com  
Web : www.pushkarnasales.com  
KSB, FORBES MARSHALL, BRAY,  
VAAS Valves & Automation.

### Installation

The strainer should be installed in the direction of flow, as indicated on the body. On applications involving steam or gases the pocket should be in the horizontal plane. On liquid systems the pocket should point downwards. Suitable isolation valves must be installed to allow for safe maintenance and trap replacement.

### Maintenance note

Maintenance can be completed with the strainer in the pipeline.

### Servicing

With suitable isolation repairs can be carried out online. Dismantle bolted joint and remove strainer cap to remove muck and clean the screen thoroughly. Fit the screen carefully and fit cap with new gasket. Tighten nuts uniformly. Open up the isolation valve to check for gasket leakage if any and tighten if required.

### Available Spares

Screen	A
Gasket kit	B

### How to Order Spares

Always order spares by using the description given in the column headed "available spares" in the user manual and stating the size of strainer.

