

Forbes Marshall Forged Strainer

Authorised Dealer;
Pushkarna Sales Pvt Ltd.
4772, Hauz Qazi, Delhi-06.
Telefax : 011-23216378/23217239.
Email : sales@pushkarnasales.com
Web : www.pushkarnasales.com
KSB, FORBES MARSHALL, BRAY,
VAAS Valves & Automation.

Description

The Forbes Marshall Forged Strainer, FMSTR51#600 / FMSTR52#600, are Y-type forged steel strainers with stainless steel screen having 0.8 mm perforations as standard.

Sizes and Pipe Connection

DN 15, 20, 25 and 40

Screwed BSPT/NPT and Socket weld ends

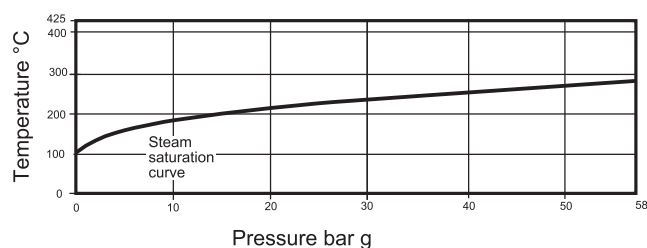
Note :

1. Available with IBR certificate.
2. Other screen perforations available on special order.
3. Also available with ASA -150 , 300 and 600 weld-on flange on request .
4. Blow down or drain cock connections : the cap is drilled to 1/2" BSPT to enable a blow down or drain cock to be fitted.

Limiting Conditions

Parameter	Screwed ends	Socket weld ends
PMO (kg/cm ²)	31.5	58
TMO (°C)	425	425
Cold Hydraulic Test Pressure (Kg/cm ²)	63	116

Operating Range

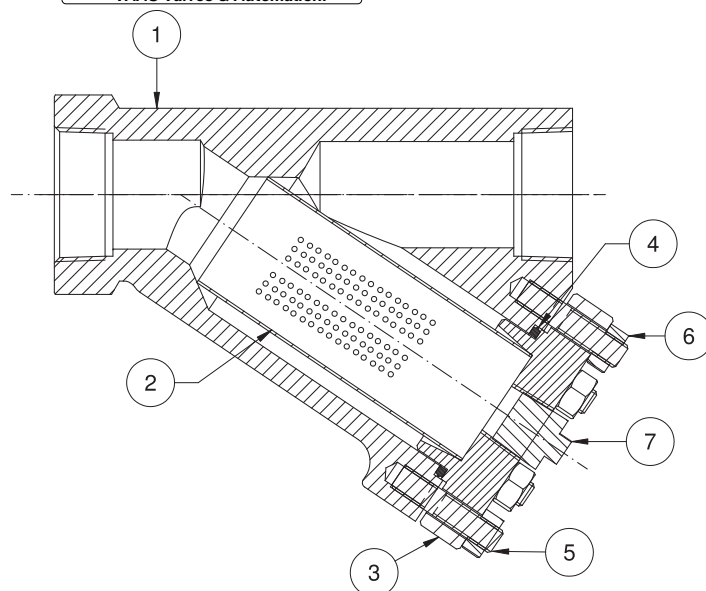


Dimensions (approx.) in mm

Size (DN)	A	B	C	Weight (kg)
15	122	92	50	3
20	122	92	50	3
25	122	92	50	5
40	195	137	65	7

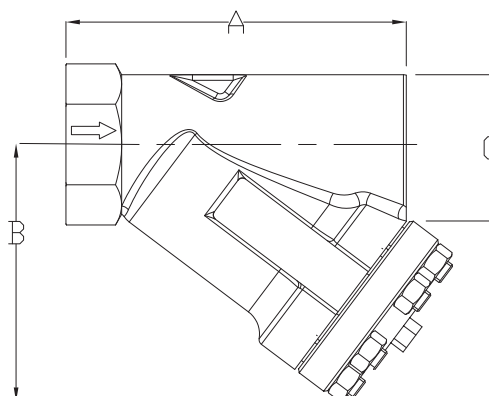
How to Order

Example : 1 No. DN 40 Forbes Marshall Forged Strainer, FMSTR51#600 / FMSTR52#600, screwed BSPT, IBR



Material

Sr. No.	Part	Material	Standard
1	Body M/C (BSPT, NPT & SWE)	Forged carbon steel	ASTM A105
2	Screen 0.8 mm perforation	Stainless steel	AISI 304
3	Cap M/C	Forged carbon steel	ASTM A105
4	Gasket	Stainless steel	Spiral wound SS304 with flexible graphite filler
5	Stud M10 X 45 long	Steel	ASTM A193 Gr. B7
6	Hex nut M10	Steel	ASTM A194 Gr. 2H
7	1/2" BSPT end plug	Forged carbon steel	ASTM A105



Installation

The strainer should be installed in the direction of flow, as indicated on the body. On applications involving steam or gases the pocket should be in the horizontal plane. On liquid systems the pocket should point downwards. Suitable isolation valves must be installed to allow for safe maintenance and trap replacement.

Maintenance Note

Maintenance can be completed with the strainer in the pipeline.

Recommended Tightening Torques

Strainer Size (DN)	Cap / Stud	Nut
15, 20	15 - 20	15 - 20
25	15 - 20	15 - 20
40	80 - 85	80 - 85

Available spares (refer fig. below)

Screen	A
Gaskets	B

How to Order Spares

Always order spares by using the description given in the column headed "Available Spares" in user manual

