

Forbes Marshall Safety Relief Valve

Authorised Dealer:
Pushkarna Sales Pvt Ltd.
4772, Hauz Qazi, Delhi-06.
Telefax : 011-23216378/23217239.
Email : sales@pushkarnasales.com
Web : www.pushkarnasales.com
KSB, FORBES MARSHALL, BRAY,
VAAS Valves & Automation.

Description

The Forbes Marshall Safety Relief Valve FMSRV is a high lift safety valve with gun metal seat, valve and brass internals suitable for use on steam, air and water.

Size and Pipe Connections

DN 20, 25, 40 and 50
Screwed BSPT
Available with IBR certificate

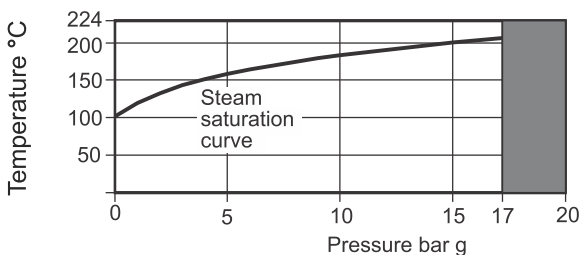
Limiting Conditions

PMO maximum operating pressure	17,5 bar g
TMO maximum operating temperature	224°C
Cold hydraulic test pressure	35 bar g

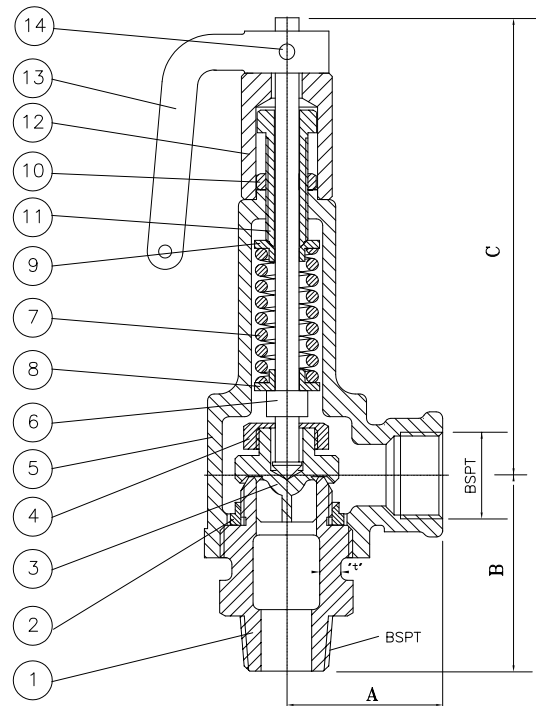
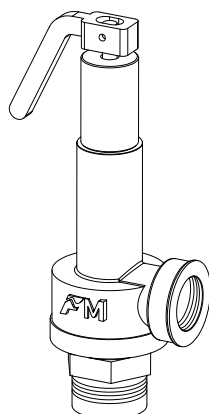
For following set pressure ranges 6 colour coded springs are available

05 to 15 psi	White
15 to 35 psi	Yellow
35 to 75 psi	Green
75 to 125 psi	Blue
125 to 175 psi	Red
175 to 250 psi	Black

Operating Range



The product **must not** be used in this region.



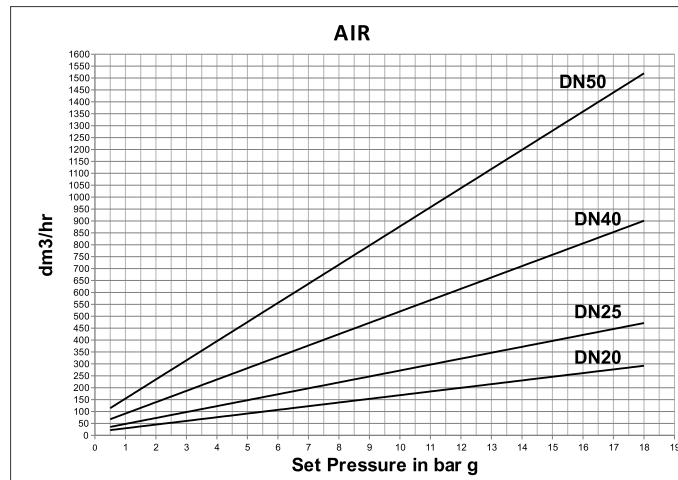
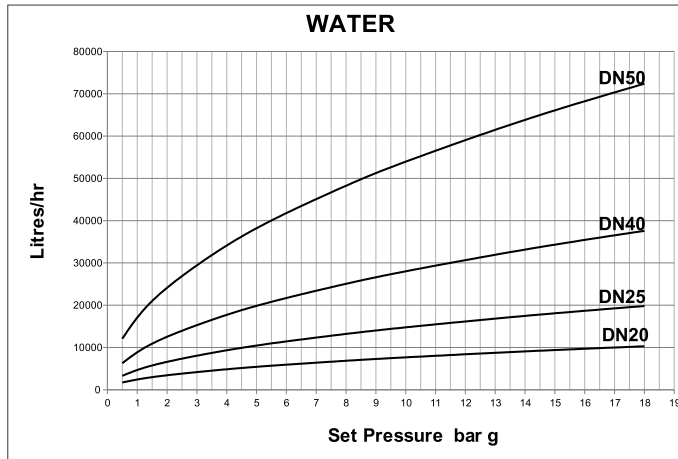
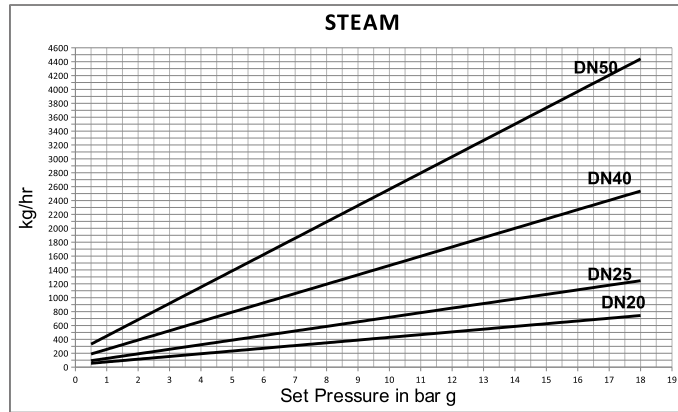
Material

No	Part	Material
1	Seat	Gun metal
2	Seat ring	Gun metal
3	Valve	Gun metal
4	Spindle lock nut	Brass
5	Bonnet	IS 210 Gr. FG260
6	Spindle	Brass
7	Spring	Stainless steel
8	Bottom spring guide	C 20
9	Top spring guide	C 20
10	Adj. locking nut	Brass
11	Adj. bolt	Brass
12	Cap	C20
13	Lever	Aluminium
14	Lever fulcrum pin	C20
15	Seat ring locking screw and nut (not shown)	Brass

Dimensions: (approx.) in mm

Size DN	A	B	C
20	48	60	145
25	60	65	160
40	73	84	205
50	80	108	250

Capacity Chart



Installation

The safety relief valve should always be fitted with the centre line of the spring housing vertically above the valve. If the discharge pipe is not self-draining then a separate drain pipe with continuous fall should be provided.

The outlet from the safety relief valve should be arranged to discharge to a safe place where it is visible but cannot cause damage or injury to persons.

These valves are not suitable for mounting on boilers

How to Order

Example: 1 No. Forbes Marshall Safety Relief Valve, FMSRV, DN20 with BSPT ends and a set pressure of 6 bar g.

Available Spares

- Valve head and spindle kit
- Spring kit

How to Order Spares

Always order spares by using the description given in the column headed available spares. For codes refer user manual.